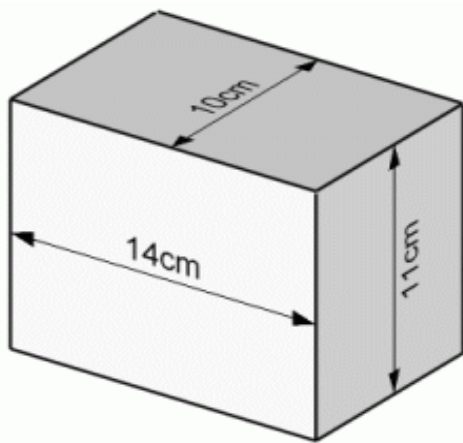
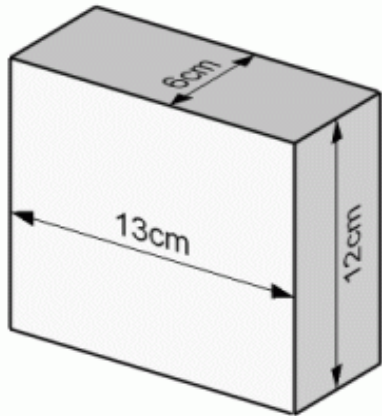
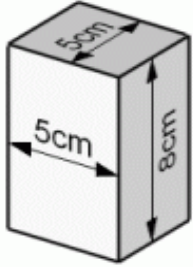


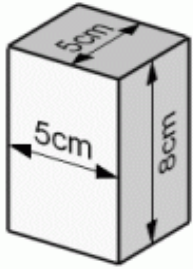
Rectangular Prisms (D)

Instructions: Find the volume and surface area of the rectangular prisms.



Rectangular Prisms (D) Answers

Instructions: Find the volume and surface area of the rectangular prisms.



$$L = 5 \text{ cm}$$

$$W = 5 \text{ cm}$$

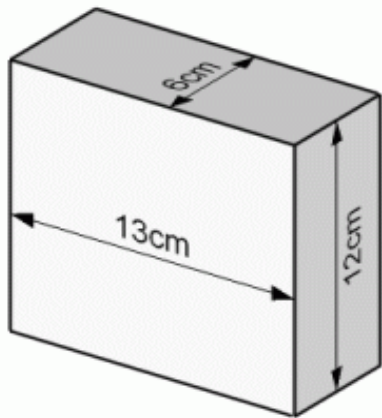
$$H = 8 \text{ cm}$$

$$SA = (5 \times 5 \times 2) + (5 \times 8 \times 2) + (5 \times 8 \times 2)$$

$$SA = 210 \text{ cm}^2$$

$$V = 5 \times 5 \times 8$$

$$V = 200 \text{ cm}^3$$



$$L = 13 \text{ cm}$$

$$W = 6 \text{ cm}$$

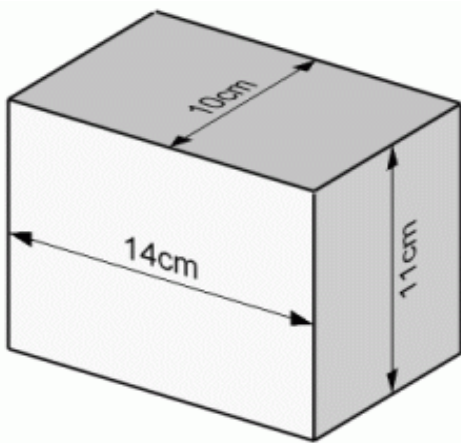
$$H = 12 \text{ cm}$$

$$SA = (13 \times 6 \times 2) + (6 \times 12 \times 2) + (13 \times 12 \times 2)$$

$$SA = 612 \text{ cm}^2$$

$$V = 13 \times 6 \times 12$$

$$V = 936 \text{ cm}^3$$



$$L = 14 \text{ cm}$$

$$W = 10 \text{ cm}$$

$$H = 11 \text{ cm}$$

$$SA = (14 \times 10 \times 2) + (10 \times 11 \times 2) + (14 \times 11 \times 2)$$

$$SA = 808 \text{ cm}^2$$

$$V = 14 \times 10 \times 11$$

$$V = 1540 \text{ cm}^3$$