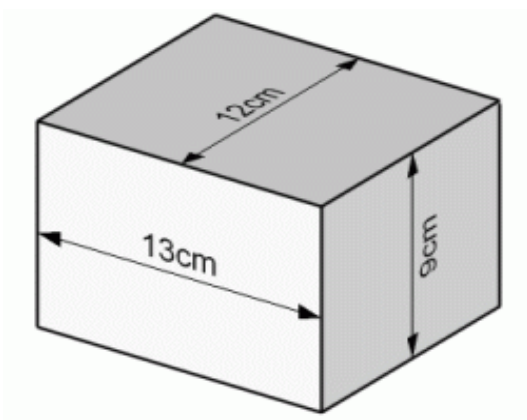
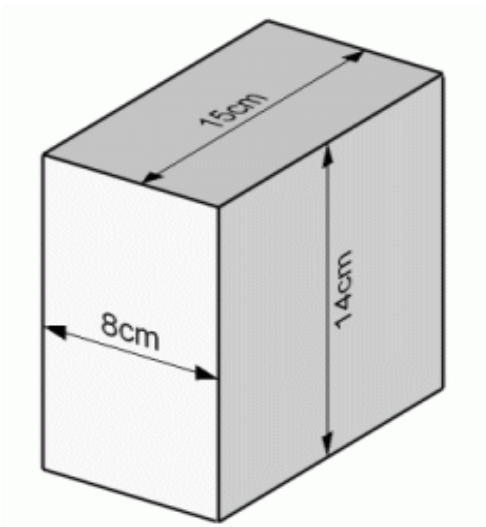
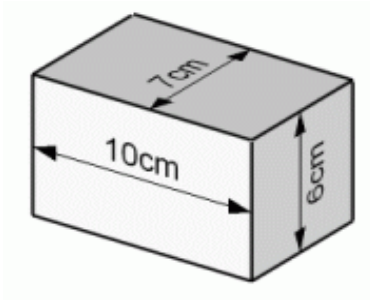


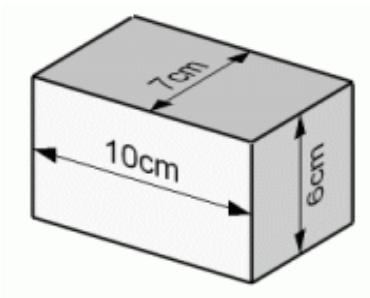
# Rectangular Prisms (E)

Instructions: Find the volume and surface area of the rectangular prisms.



# Rectangular Prisms (E) Answers

Instructions: Find the volume and surface area of the rectangular prisms.



$$L = 10 \text{ cm}$$

$$W = 7 \text{ cm}$$

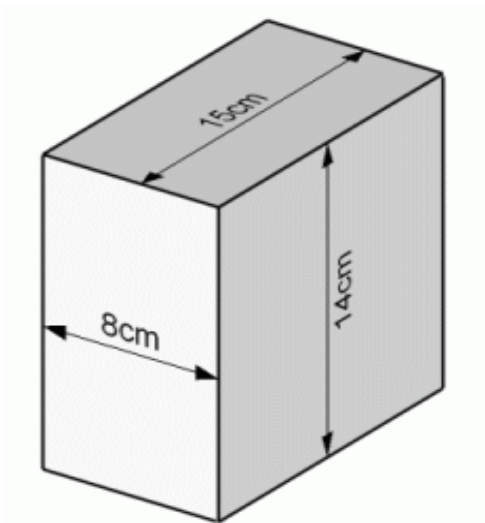
$$H = 6 \text{ cm}$$

$$SA = (10 \times 7 \times 2) + (7 \times 6 \times 2) + (10 \times 6 \times 2)$$

$$SA = 344 \text{ cm}^2$$

$$V = 10 \times 7 \times 6$$

$$V = 420 \text{ cm}^3$$



$$L = 8 \text{ cm}$$

$$W = 15 \text{ cm}$$

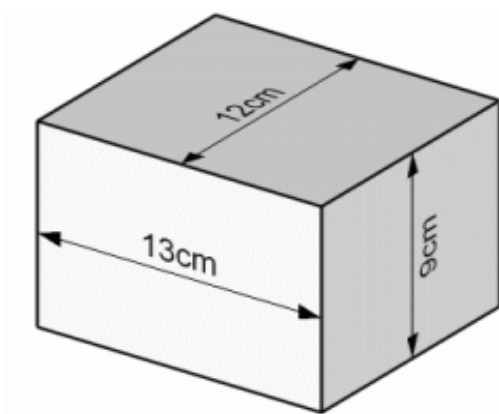
$$H = 14 \text{ cm}$$

$$SA = (8 \times 15 \times 2) + (15 \times 14 \times 2) + (8 \times 14 \times 2)$$

$$SA = 884 \text{ cm}^2$$

$$V = 8 \times 15 \times 14$$

$$V = 1680 \text{ cm}^3$$



$$L = 13 \text{ cm}$$

$$W = 12 \text{ cm}$$

$$H = 9 \text{ cm}$$

$$SA = (13 \times 12 \times 2) + (12 \times 9 \times 2) + (13 \times 9 \times 2)$$

$$SA = 762 \text{ cm}^2$$

$$V = 13 \times 12 \times 9$$

$$V = 1404 \text{ cm}^3$$