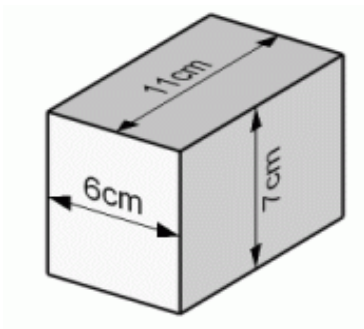
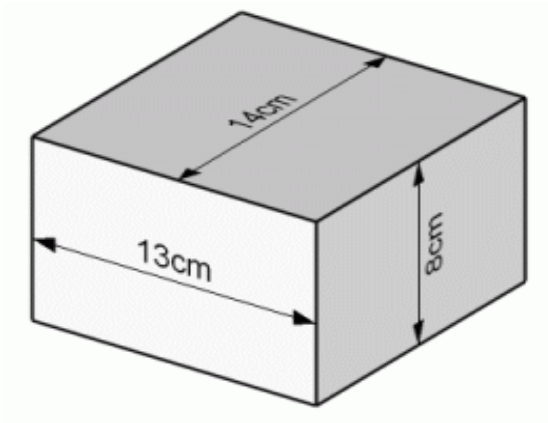
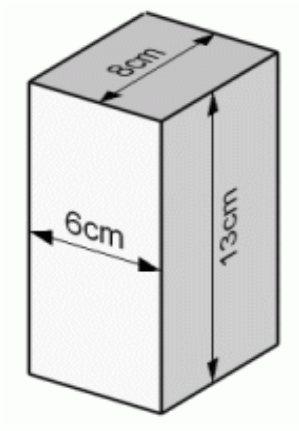


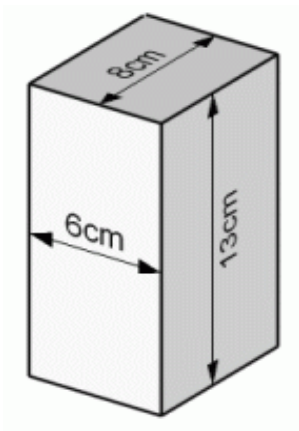
Rectangular Prisms (F)

Instructions: Find the volume and surface area of the rectangular prisms.



Rectangular Prisms (F) Answers

Instructions: Find the volume and surface area of the rectangular prisms.



$$L = 6 \text{ cm}$$

$$W = 8 \text{ cm}$$

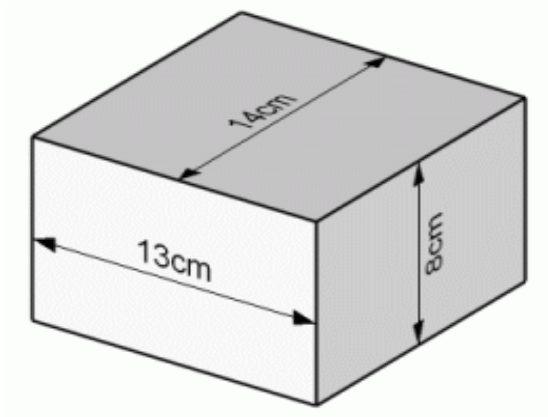
$$H = 13 \text{ cm}$$

$$SA = (6 \times 8 \times 2) + (8 \times 13 \times 2) + (6 \times 13 \times 2)$$

$$SA = 460 \text{ cm}^2$$

$$V = 6 \times 8 \times 13$$

$$V = 624 \text{ cm}^3$$



$$L = 13 \text{ cm}$$

$$W = 14 \text{ cm}$$

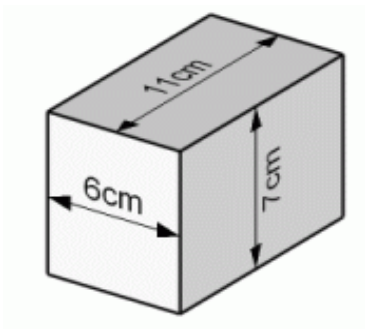
$$H = 8 \text{ cm}$$

$$SA = (13 \times 14 \times 2) + (14 \times 8 \times 2) + (13 \times 8 \times 2)$$

$$SA = 796 \text{ cm}^2$$

$$V = 13 \times 14 \times 8$$

$$V = 1456 \text{ cm}^3$$



$$L = 6 \text{ cm}$$

$$W = 11 \text{ cm}$$

$$H = 7 \text{ cm}$$

$$SA = (6 \times 11 \times 2) + (11 \times 7 \times 2) + (6 \times 7 \times 2)$$

$$SA = 370 \text{ cm}^2$$

$$V = 6 \times 11 \times 7$$

$$V = 462 \text{ cm}^3$$