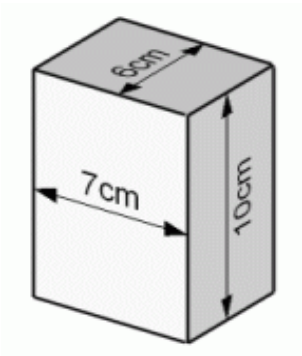
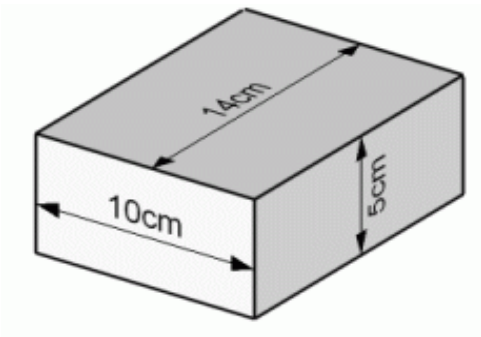
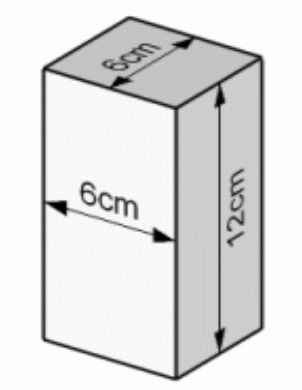


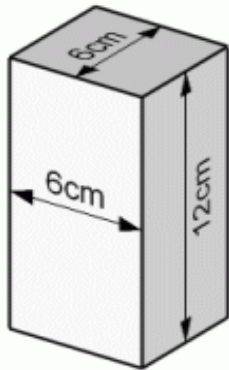
Rectangular Prisms (G)

Instructions: Find the volume and surface area of the rectangular prisms.



Rectangular Prisms (G) Answers

Instructions: Find the volume and surface area of the rectangular prisms.



$$L = 6 \text{ cm}$$

$$W = 6 \text{ cm}$$

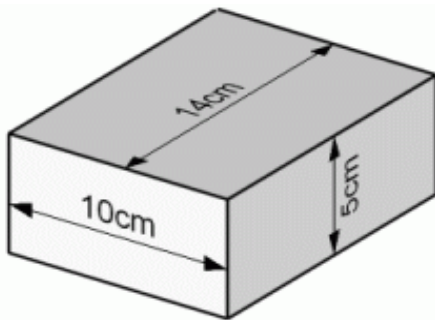
$$H = 12 \text{ cm}$$

$$SA = (6 \times 6 \times 2) + (6 \times 12 \times 2) + (6 \times 12 \times 2)$$

$$SA = 360 \text{ cm}^2$$

$$V = 6 \times 6 \times 12$$

$$V = 432 \text{ cm}^3$$



$$L = 10 \text{ cm}$$

$$W = 14 \text{ cm}$$

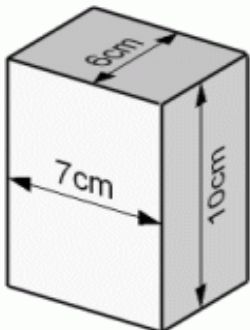
$$H = 5 \text{ cm}$$

$$SA = (10 \times 14 \times 2) + (14 \times 5 \times 2) + (10 \times 5 \times 2)$$

$$SA = 520 \text{ cm}^2$$

$$V = 10 \times 14 \times 5$$

$$V = 700 \text{ cm}^3$$



$$L = 7 \text{ cm}$$

$$W = 6 \text{ cm}$$

$$H = 10 \text{ cm}$$

$$SA = (7 \times 6 \times 2) + (6 \times 10 \times 2) + (7 \times 10 \times 2)$$

$$SA = 344 \text{ cm}^2$$

$$V = 7 \times 6 \times 10$$

$$V = 420 \text{ cm}^3$$