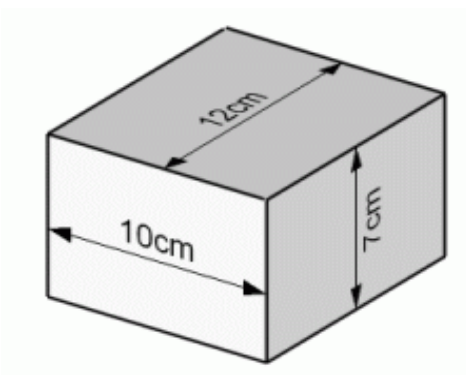
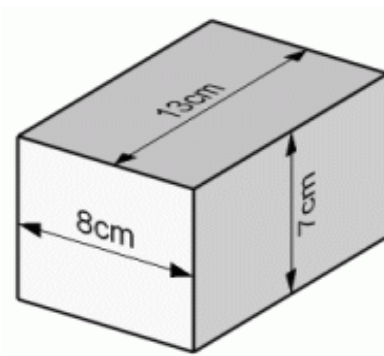
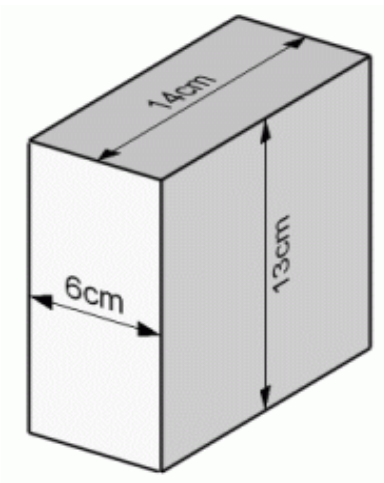


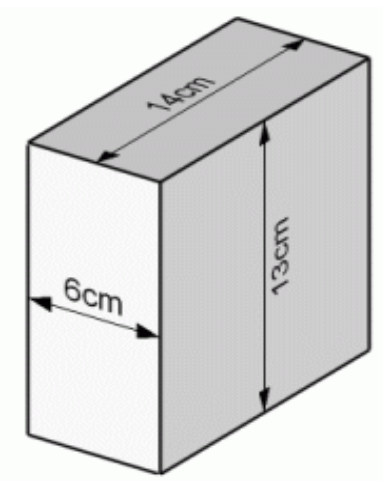
Rectangular Prisms (H)

Instructions: Find the volume and surface area of the rectangular prisms.



Rectangular Prisms (H) Answers

Instructions: Find the volume and surface area of the rectangular prisms.



$$L = 6 \text{ cm}$$

$$W = 14 \text{ cm}$$

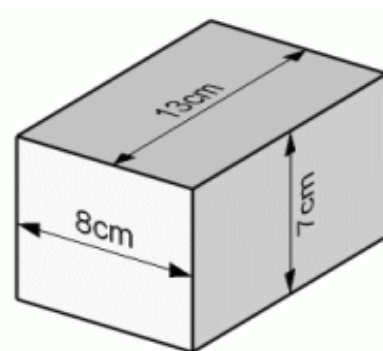
$$H = 13 \text{ cm}$$

$$SA = (6 \times 14 \times 2) + (14 \times 13 \times 2) + (6 \times 13 \times 2)$$

$$SA = 688 \text{ cm}^2$$

$$V = 6 \times 14 \times 13$$

$$V = 1092 \text{ cm}^3$$



$$L = 8 \text{ cm}$$

$$W = 13 \text{ cm}$$

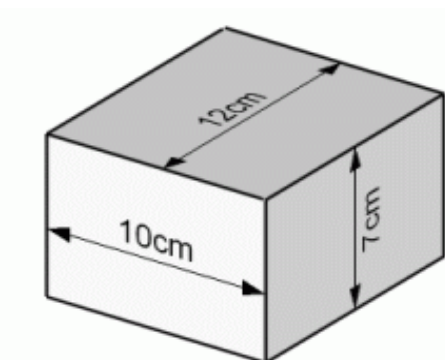
$$H = 7 \text{ cm}$$

$$SA = (8 \times 13 \times 2) + (13 \times 7 \times 2) + (8 \times 7 \times 2)$$

$$SA = 502 \text{ cm}^2$$

$$V = 8 \times 13 \times 7$$

$$V = 728 \text{ cm}^3$$



$$L = 10 \text{ cm}$$

$$W = 12 \text{ cm}$$

$$H = 7 \text{ cm}$$

$$SA = (10 \times 12 \times 2) + (12 \times 7 \times 2) + (10 \times 7 \times 2)$$

$$SA = 548 \text{ cm}^2$$

$$V = 10 \times 12 \times 7$$

$$V = 840 \text{ cm}^3$$