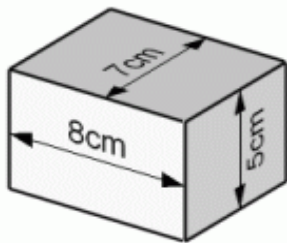
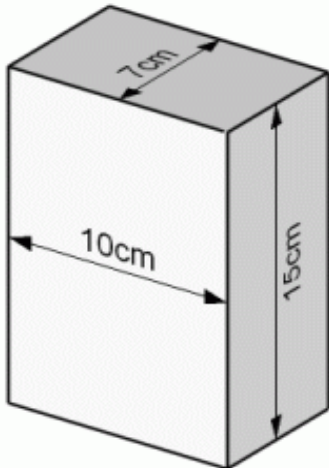
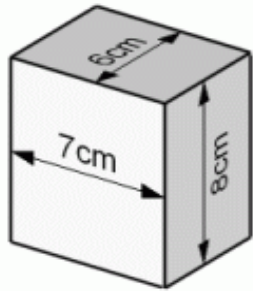


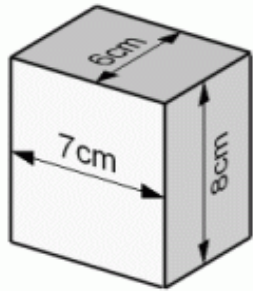
# Rectangular Prisms (I)

Instructions: Find the volume and surface area of the rectangular prisms.



# Rectangular Prisms (I) Answers

Instructions: Find the volume and surface area of the rectangular prisms.



$$L = 7 \text{ cm}$$

$$W = 6 \text{ cm}$$

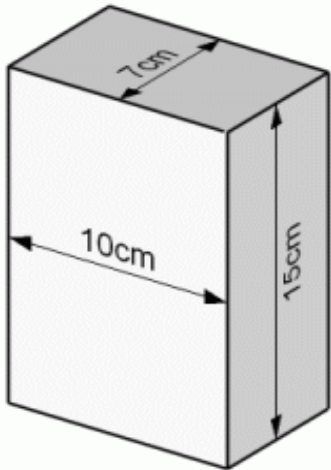
$$H = 8 \text{ cm}$$

$$SA = (7 \times 6 \times 2) + (6 \times 8 \times 2) + (7 \times 8 \times 2)$$

$$SA = 292 \text{ cm}^2$$

$$V = 7 \times 6 \times 8$$

$$V = 336 \text{ cm}^3$$



$$L = 10 \text{ cm}$$

$$W = 7 \text{ cm}$$

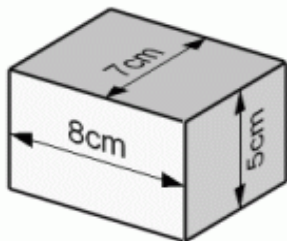
$$H = 15 \text{ cm}$$

$$SA = (10 \times 7 \times 2) + (7 \times 15 \times 2) + (10 \times 15 \times 2)$$

$$SA = 650 \text{ cm}^2$$

$$V = 10 \times 7 \times 15$$

$$V = 1050 \text{ cm}^3$$



$$L = 8 \text{ cm}$$

$$W = 7 \text{ cm}$$

$$H = 5 \text{ cm}$$

$$SA = (8 \times 7 \times 2) + (7 \times 5 \times 2) + (8 \times 5 \times 2)$$

$$SA = 262 \text{ cm}^2$$

$$V = 8 \times 7 \times 5$$

$$V = 280 \text{ cm}^3$$