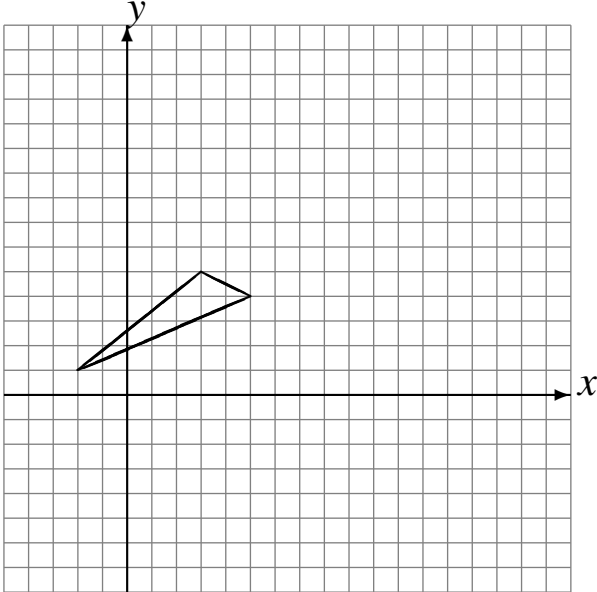


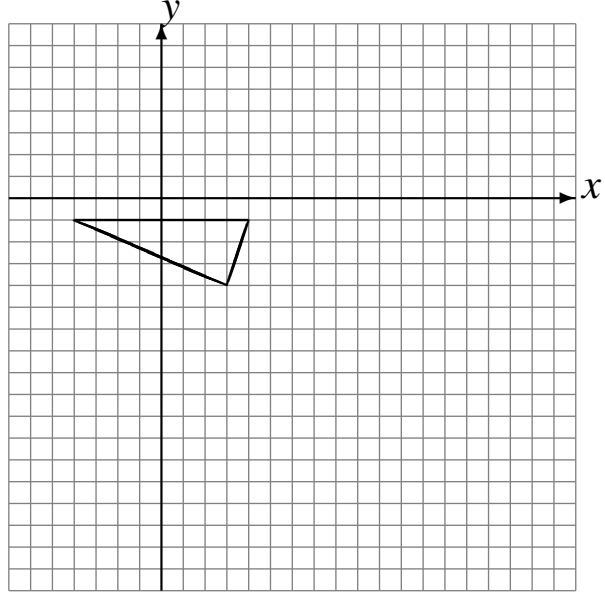
# Dilations (G)

Draw the dilated image.

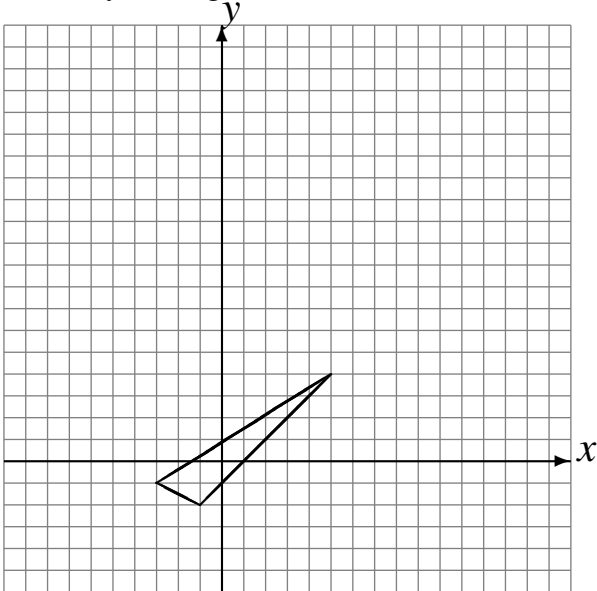
Dilate by 3 using center  $(-1, 3)$ .



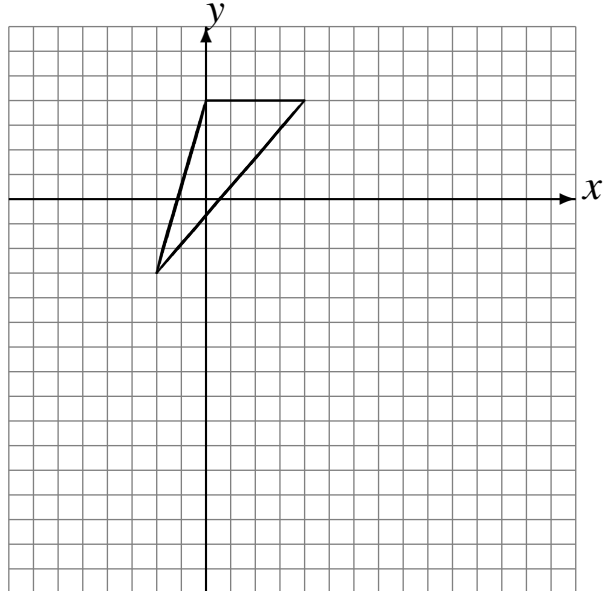
Dilate by 3 using center  $(-3, -1)$ .



Dilate by 3 using center  $(0, -2)$ .



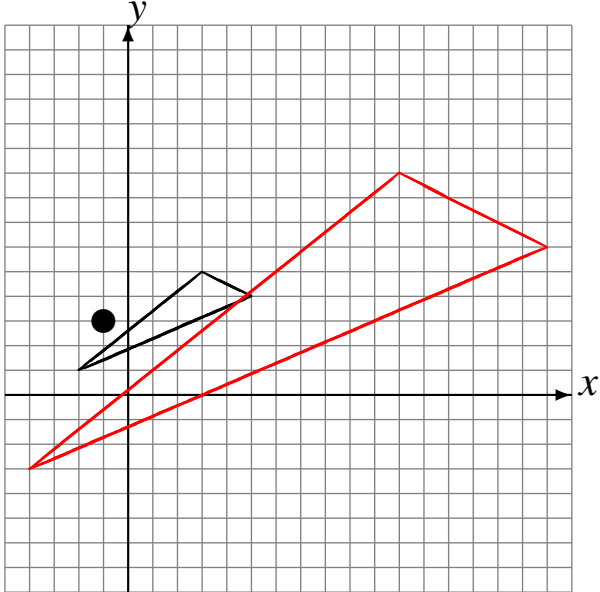
Dilate by 3 using center  $(0, 3)$ .



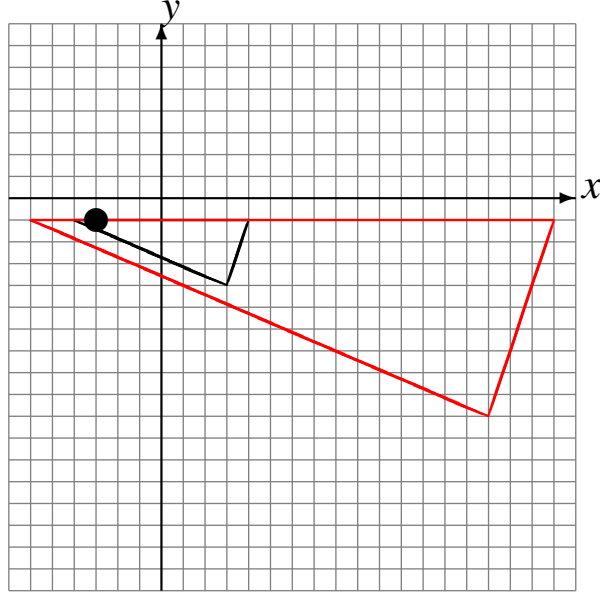
# Dilations (G) Answers

Draw the dilated image.

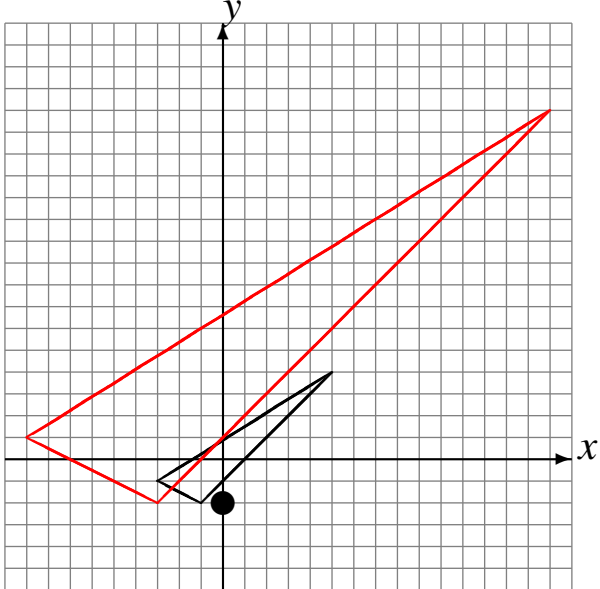
Dilate by 3 using center  $(-1, 3)$ .



Dilate by 3 using center  $(-3, -1)$ .



Dilate by 3 using center  $(0, -2)$ .



Dilate by 3 using center  $(0, 3)$ .

