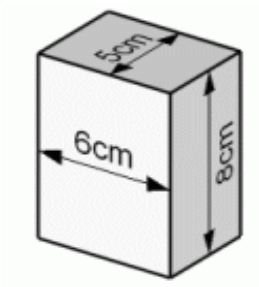
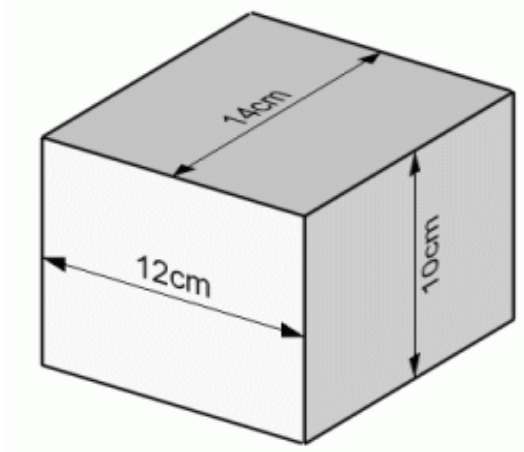
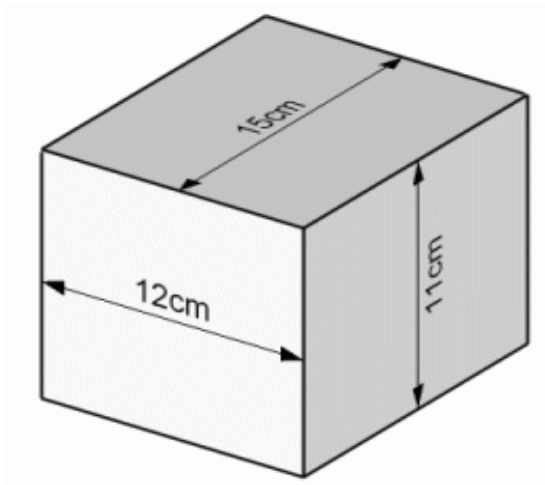


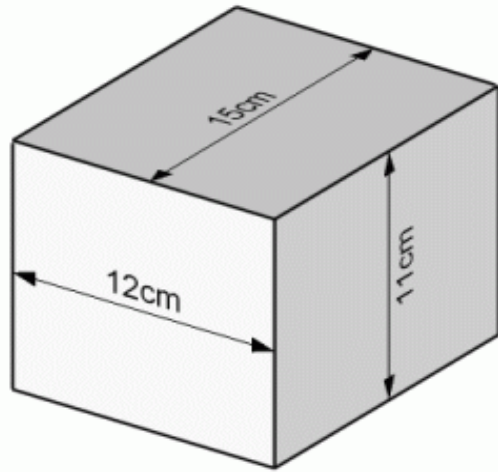
# Rectangular Prisms (C)

Instructions: Find the volume and surface area of the rectangular prisms.



# Rectangular Prisms (C) Answers

Instructions: Find the volume and surface area of the rectangular prisms.



$$L = 12 \text{ cm}$$

$$W = 15 \text{ cm}$$

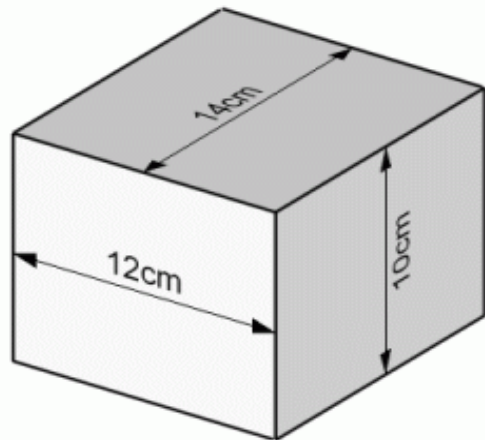
$$H = 11 \text{ cm}$$

$$SA = (12 \times 15 \times 2) + (15 \times 11 \times 2) + (12 \times 11 \times 2)$$

$$SA = 954 \text{ cm}^2$$

$$V = 12 \times 15 \times 11$$

$$V = 1980 \text{ cm}^3$$



$$L = 12 \text{ cm}$$

$$W = 14 \text{ cm}$$

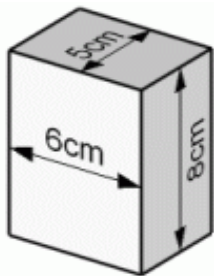
$$H = 10 \text{ cm}$$

$$SA = (12 \times 14 \times 2) + (14 \times 10 \times 2) + (12 \times 10 \times 2)$$

$$SA = 856 \text{ cm}^2$$

$$V = 12 \times 14 \times 10$$

$$V = 1680 \text{ cm}^3$$



$$L = 6 \text{ cm}$$

$$W = 5 \text{ cm}$$

$$H = 8 \text{ cm}$$

$$SA = (6 \times 5 \times 2) + (5 \times 8 \times 2) + (6 \times 8 \times 2)$$

$$SA = 236 \text{ cm}^2$$

$$V = 6 \times 5 \times 8$$

$$V = 240 \text{ cm}^3$$