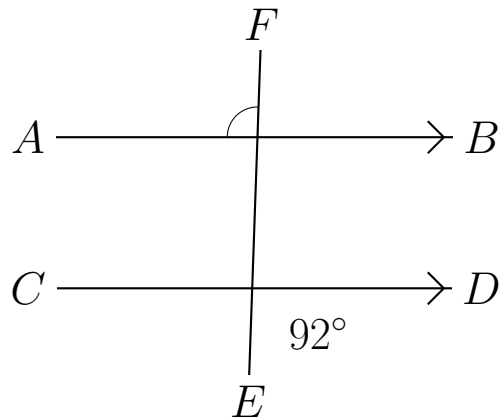
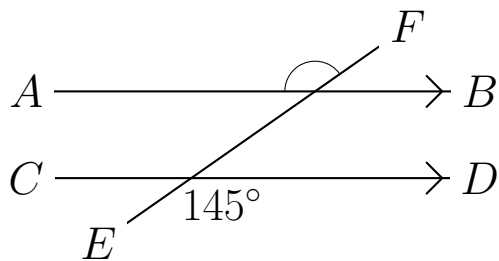
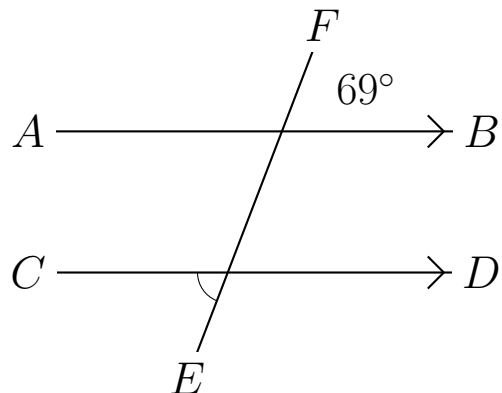
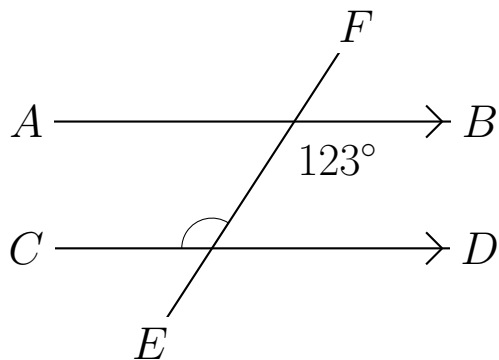
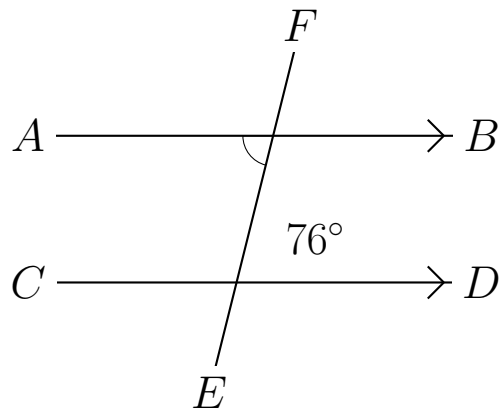
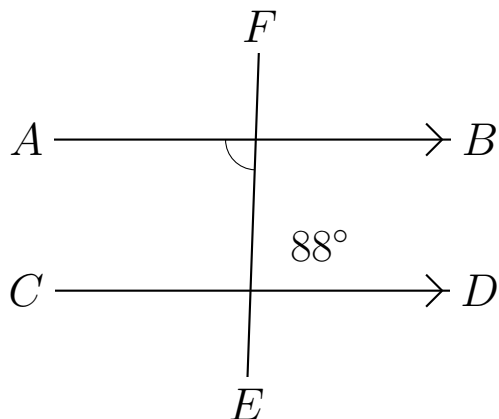


Alternate Angles (I)

Find the alternate angle measurements for the measured angles.



Alternate Angles (I) Answers

Find the alternate angle measurements for the measured angles.

