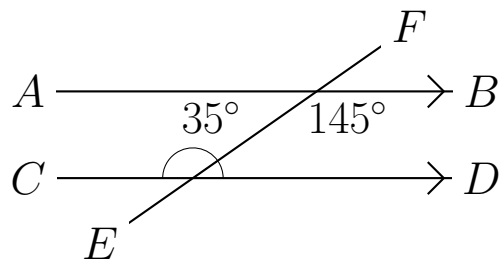
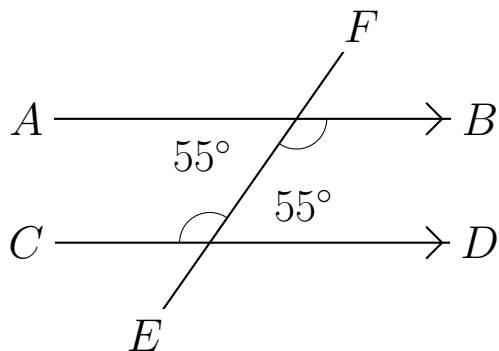
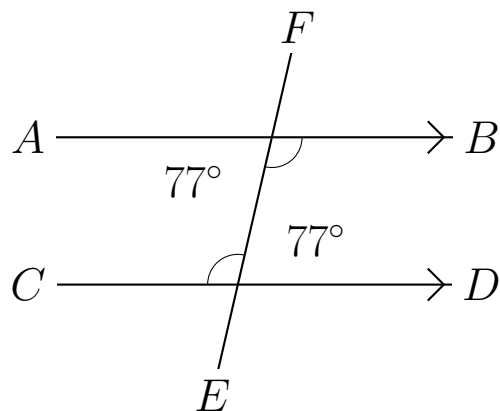
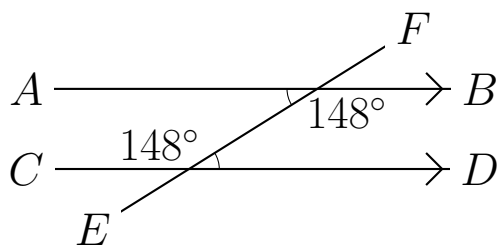
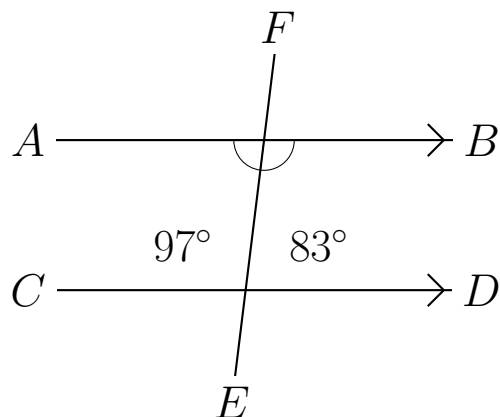
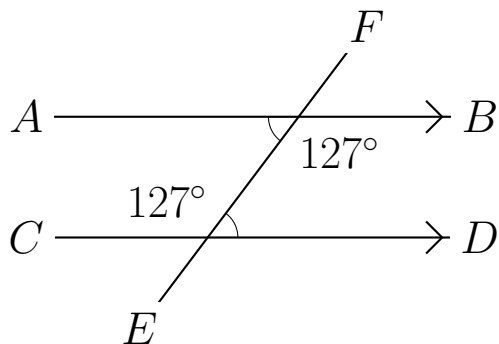


## Co-Interior Angles (F)

Find the co-interior angle measurements for the measured angles.



## Co-Interior Angles (F) Answers

Find the co-interior angle measurements for the measured angles.

