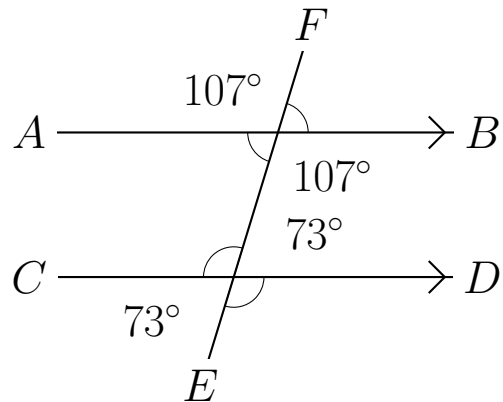
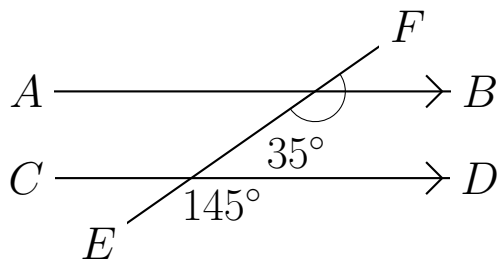
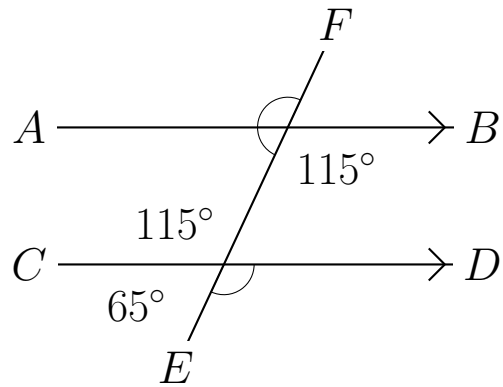
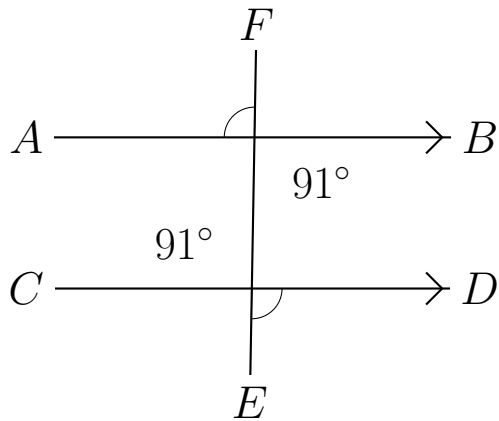
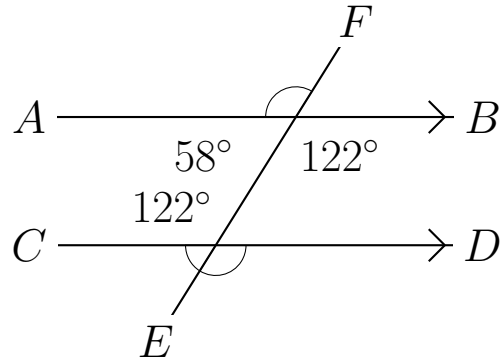
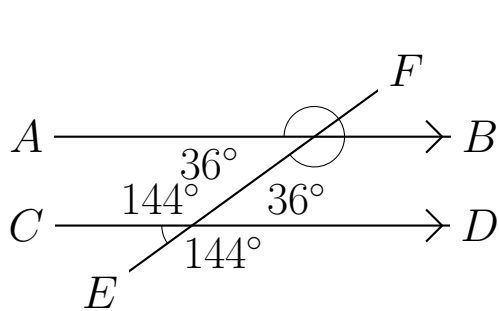


# Corresponding Angles (I)

Find the corresponding angle measurements for the measured angles.



## Corresponding Angles (I) Answers

Find the corresponding angle measurements for the measured angles.

