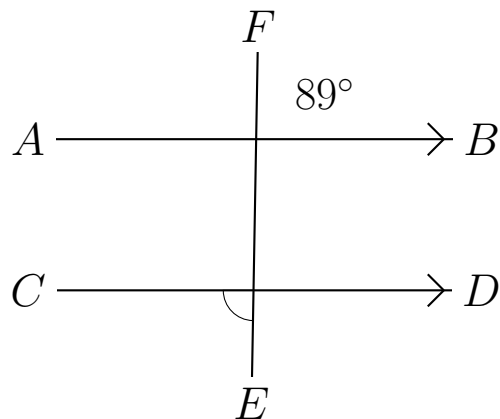
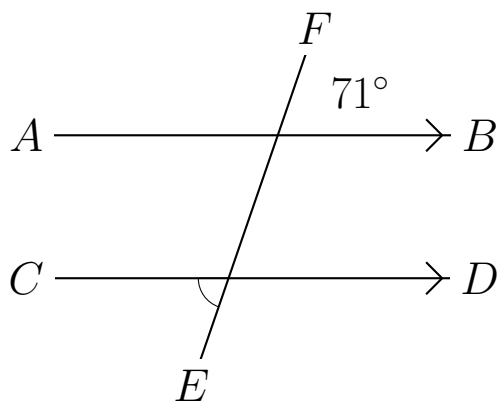
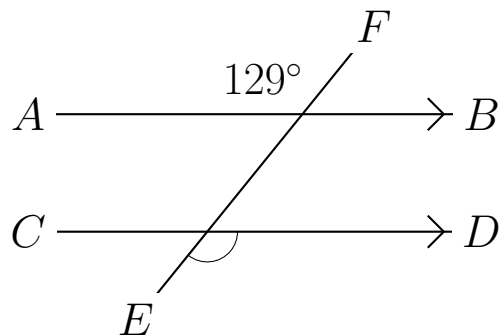
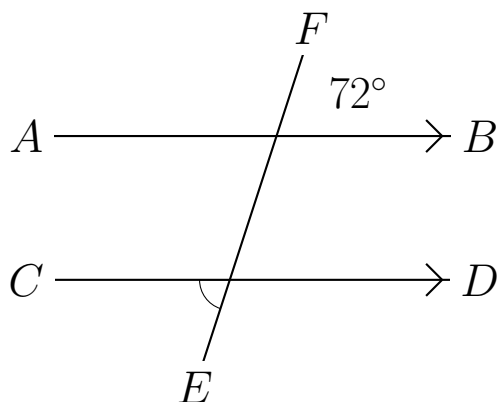
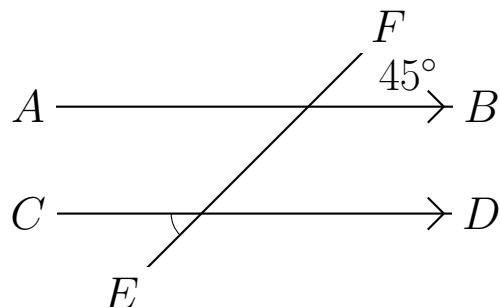
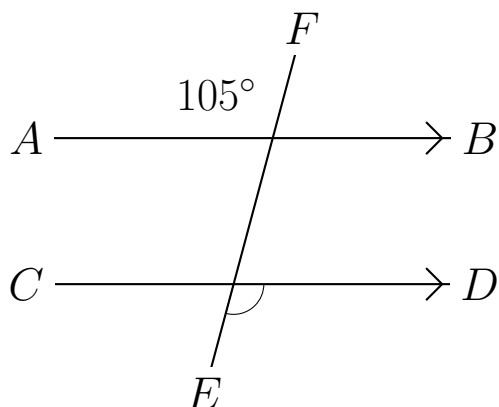


## Exterior Alternate Angles (A)

Find the alternate angle measurements for the measured angles.



## Exterior Alternate Angles (A) Answers

Find the alternate angle measurements for the measured angles.

