

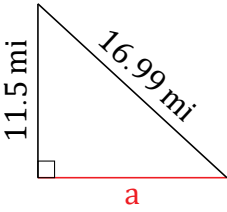
Pythagorean Theorem (J)

Name: _____

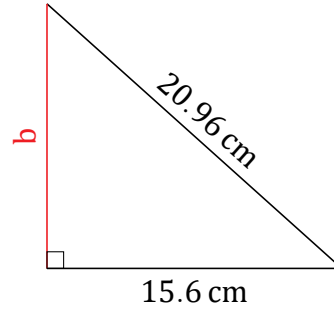
Date: _____

Calculate the missing side measurement using $a^2 + b^2 = c^2$.

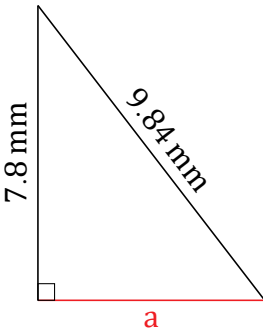
1.



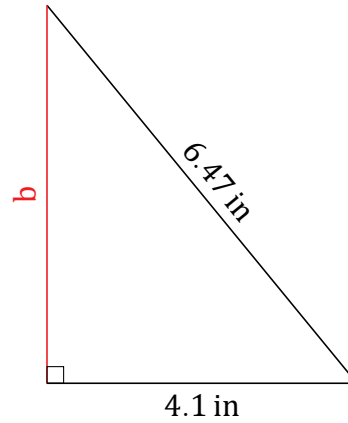
2.



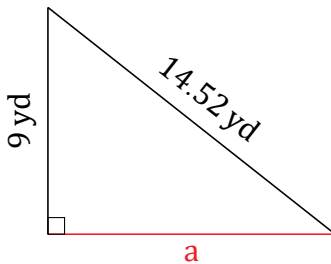
3.



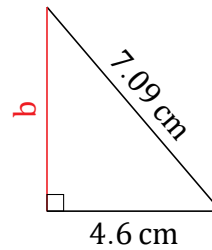
4.



5.



6.



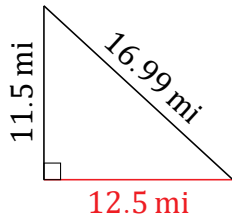
Pythagorean Theorem (J) Answers

Name: _____

Date: _____

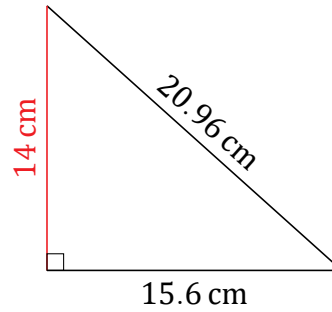
Calculate the missing side measurement using $a^2 + b^2 = c^2$.

1.



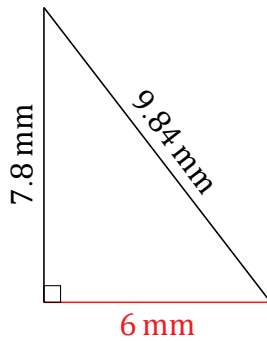
$$\begin{aligned}a^2 + 11.5^2 &= 16.99^2 \\a &= \sqrt{288.6601 - 132.25} \\a &= 12.5 \text{ mi}\end{aligned}$$

2.



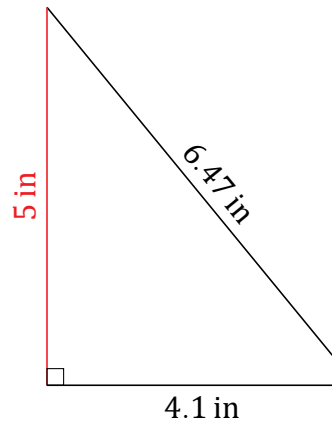
$$\begin{aligned}15.6^2 + b^2 &= 20.96^2 \\b &= \sqrt{439.3216 - 243.36} \\b &= 14 \text{ cm}\end{aligned}$$

3.



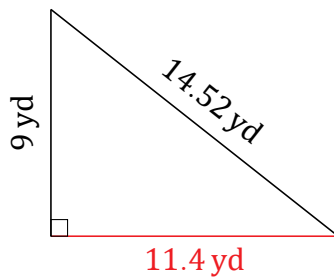
$$\begin{aligned}a^2 + 7.8^2 &= 9.84^2 \\a &= \sqrt{96.8256 - 60.84} \\a &= 6 \text{ mm}\end{aligned}$$

4.



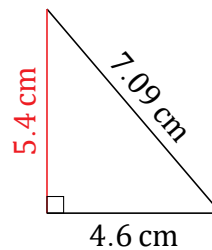
$$\begin{aligned}4.1^2 + b^2 &= 6.47^2 \\b &= \sqrt{41.8609 - 16.81} \\b &= 5 \text{ in}\end{aligned}$$

5.



$$\begin{aligned}a^2 + 9^2 &= 14.52^2 \\a &= \sqrt{210.8304 - 81} \\a &= 11.4 \text{ yd}\end{aligned}$$

6.



$$\begin{aligned}4.6^2 + b^2 &= 7.09^2 \\b &= \sqrt{50.2681 - 21.16} \\b &= 5.4 \text{ cm}\end{aligned}$$