

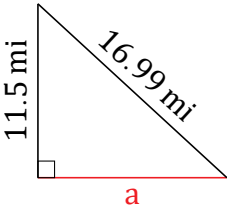
Pythagorean Theorem (J)

Name: _____

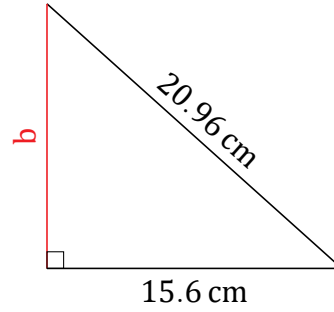
Date: _____

Calculate the missing side measurement using $a^2 + b^2 = c^2$.

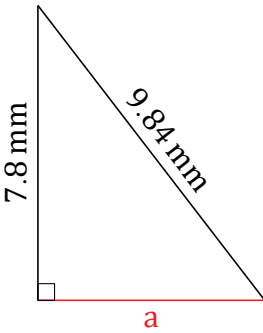
1.



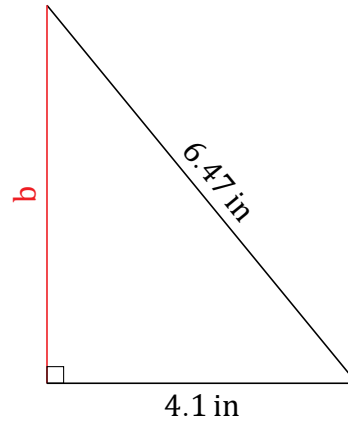
2.



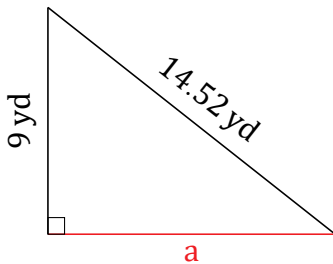
3.



4.



5.



6.

