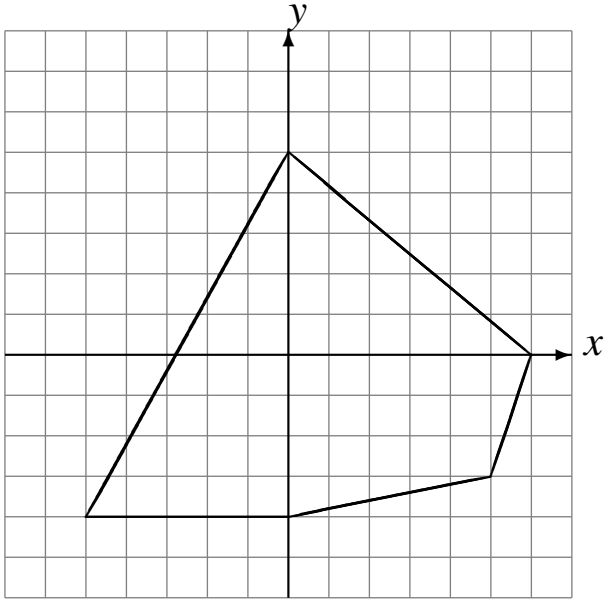


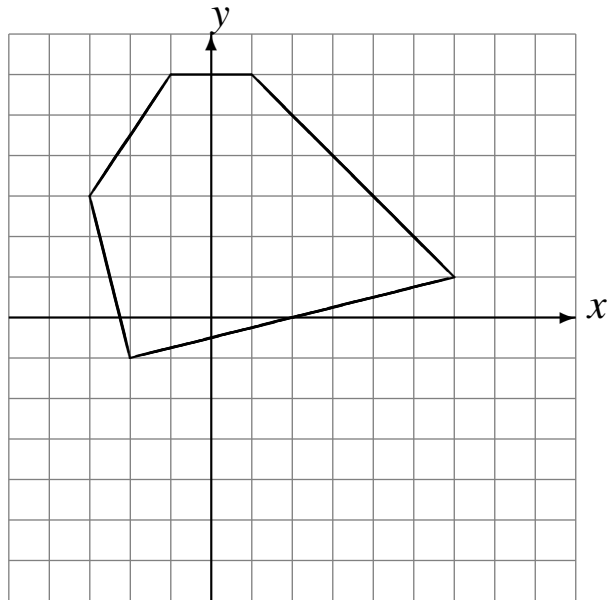
Reflections (B)

Draw each reflected image.

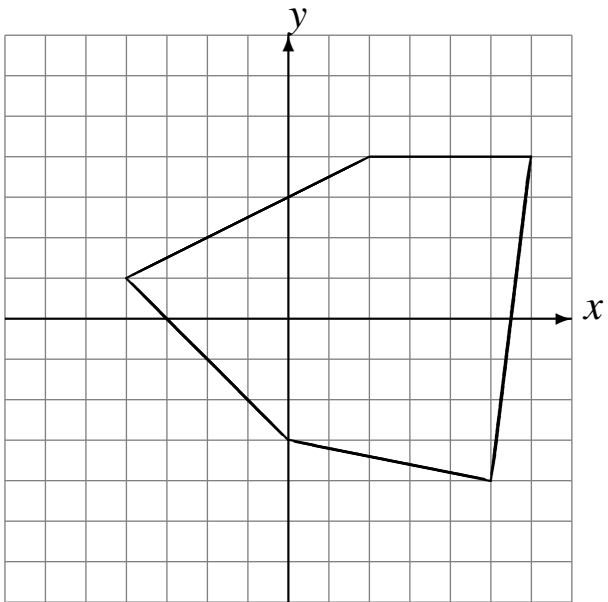
Reflect over $x = 0$.



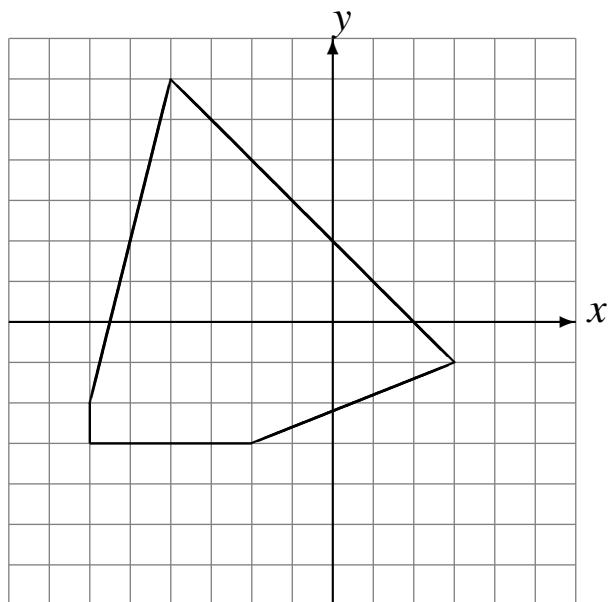
Reflect over $y = 0$.



Reflect over $x = 0$.



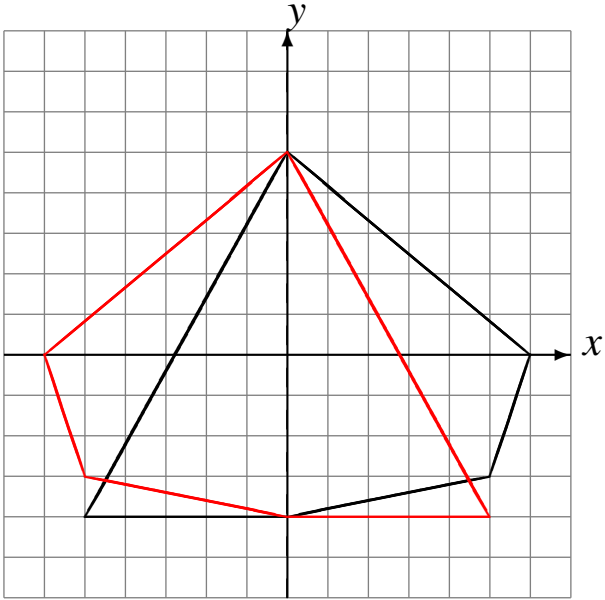
Reflect over $y = 0$.



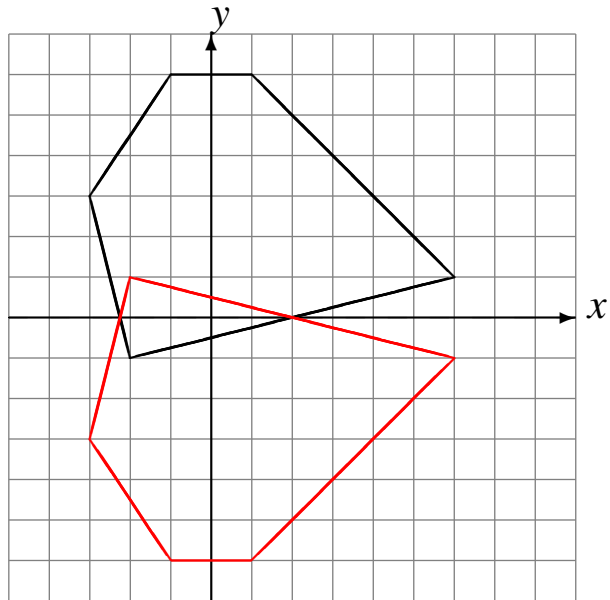
Reflections (B) Answers

Draw each reflected image.

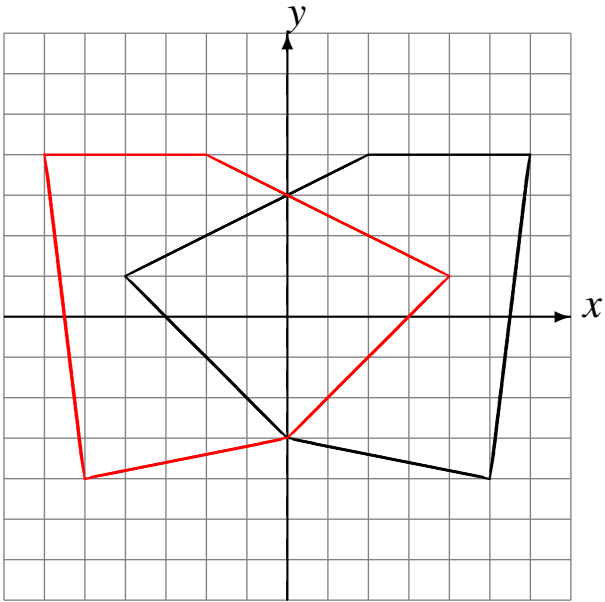
Reflect over $x = 0$.



Reflect over $y = 0$.



Reflect over $x = 0$.



Reflect over $y = 0$.

