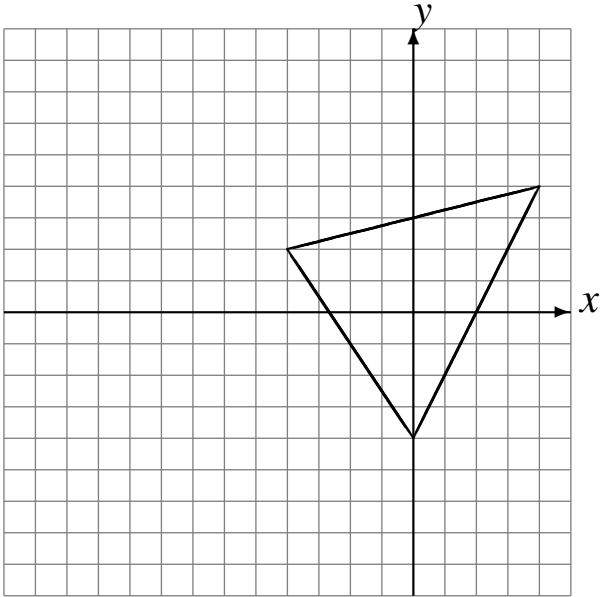


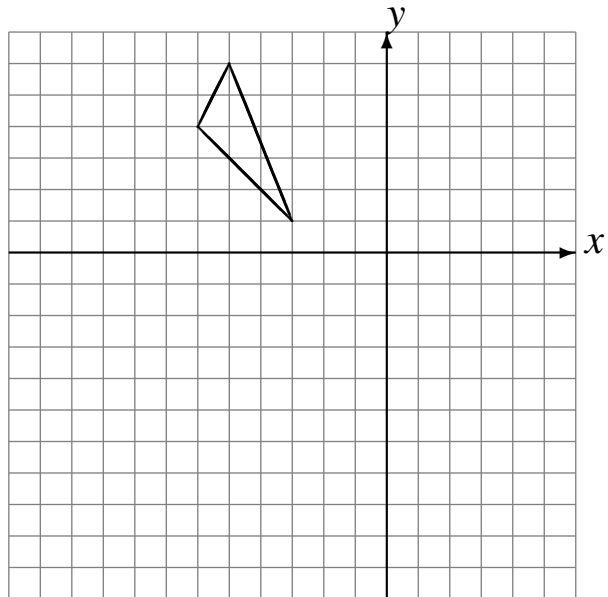
Reflections (H)

Draw the reflected image.

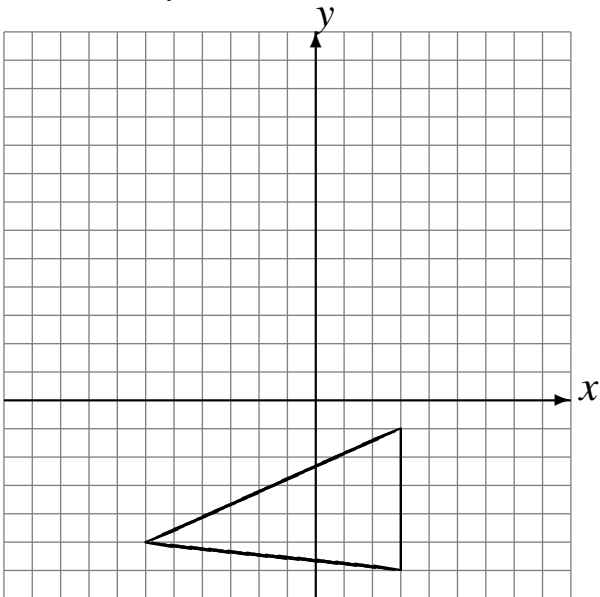
Reflect over $x = -4$.



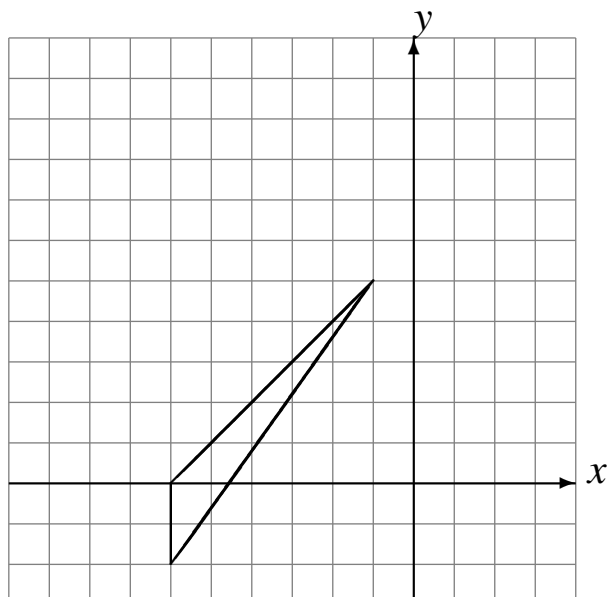
Reflect over $y = -2$.



Reflect over $y = 3$.



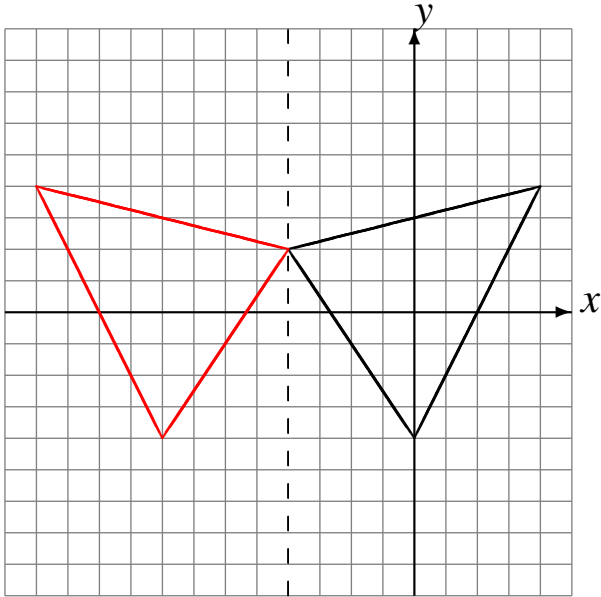
Reflect over $y = 4$.



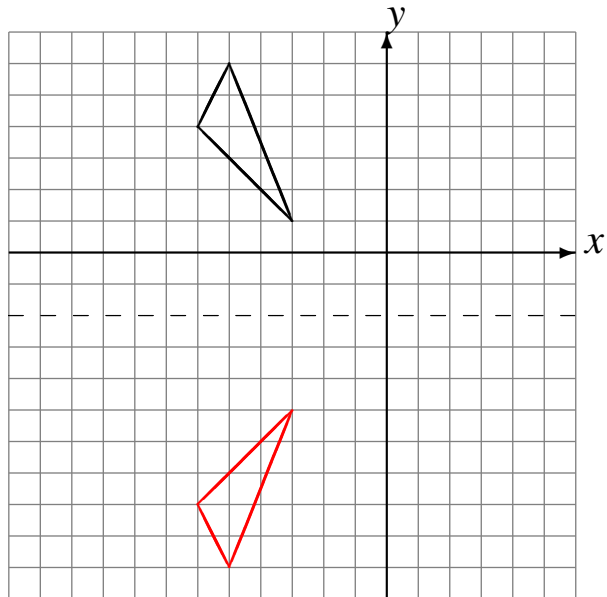
Reflections (H) Answers

Draw the reflected image.

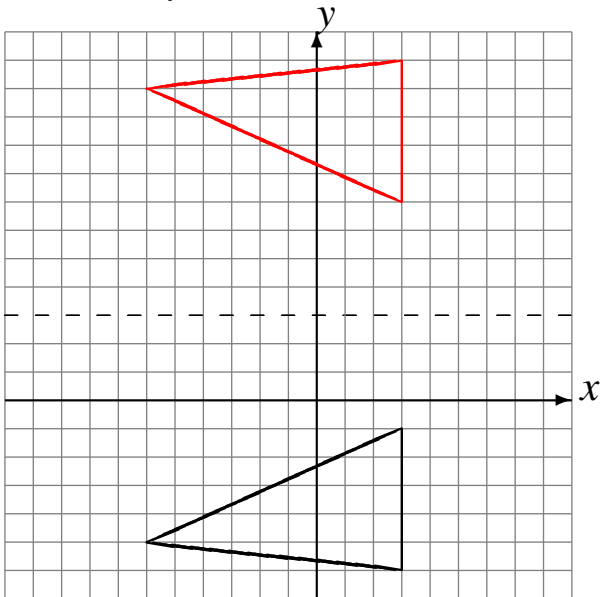
Reflect over $x = -4$.



Reflect over $y = -2$.



Reflect over $y = 3$.



Reflect over $y = 4$.

