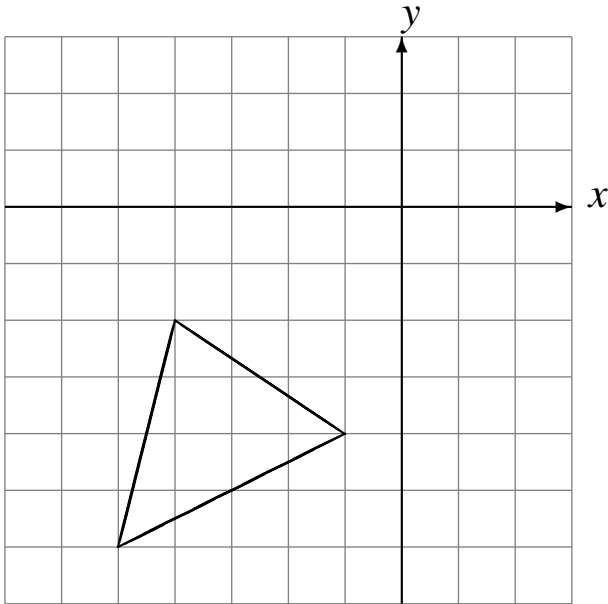


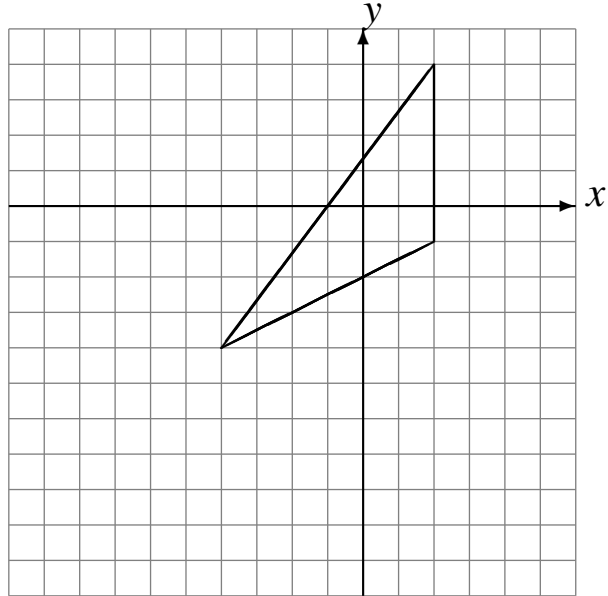
# Reflections (H)

Draw the intermediate and reflected images.

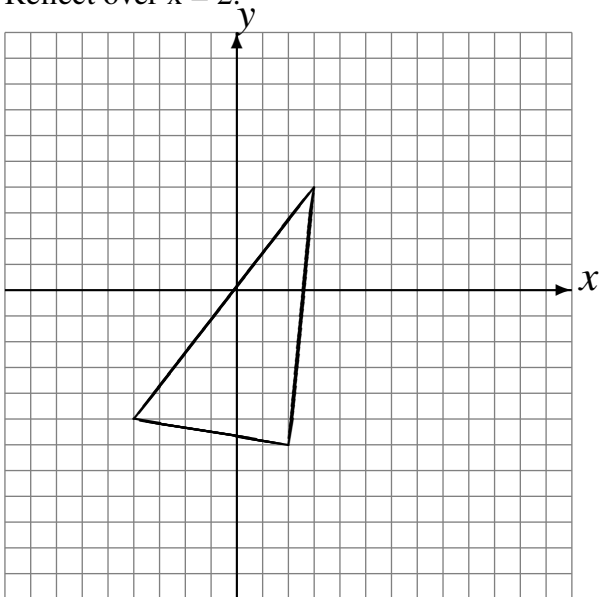
Reflect over  $y = -2$ .  
Reflect over  $y = 0$ .



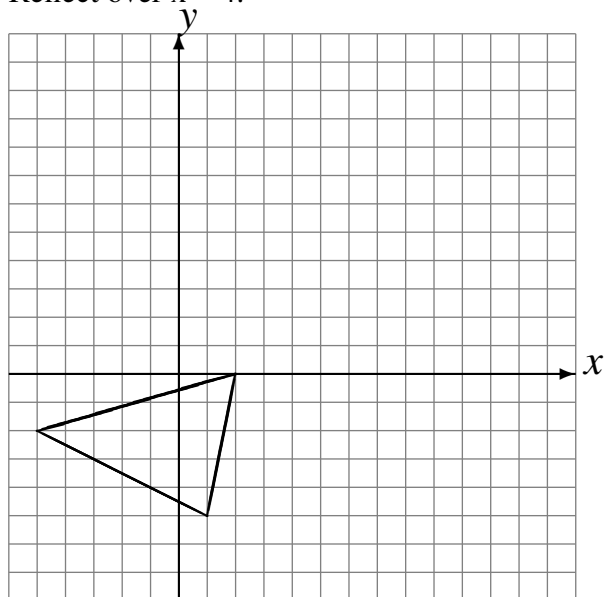
Reflect over  $y = -3$ .  
Reflect over  $x = -2$ .



Reflect over  $x = 4$ .  
Reflect over  $x = 2$ .



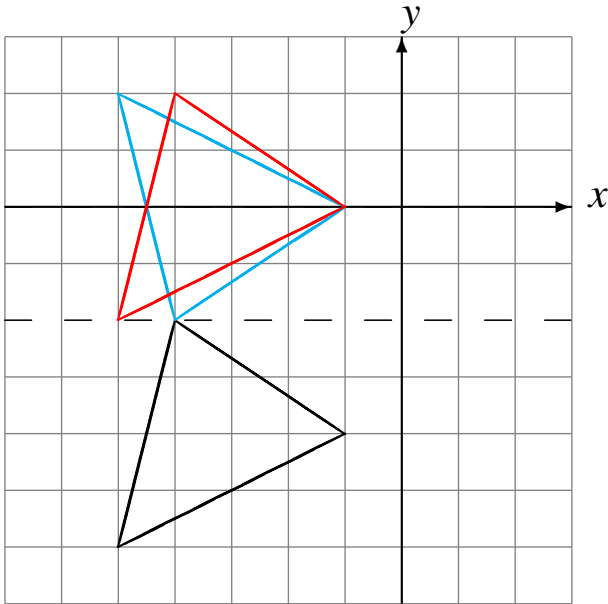
Reflect over  $y = 2$ .  
Reflect over  $x = 4$ .



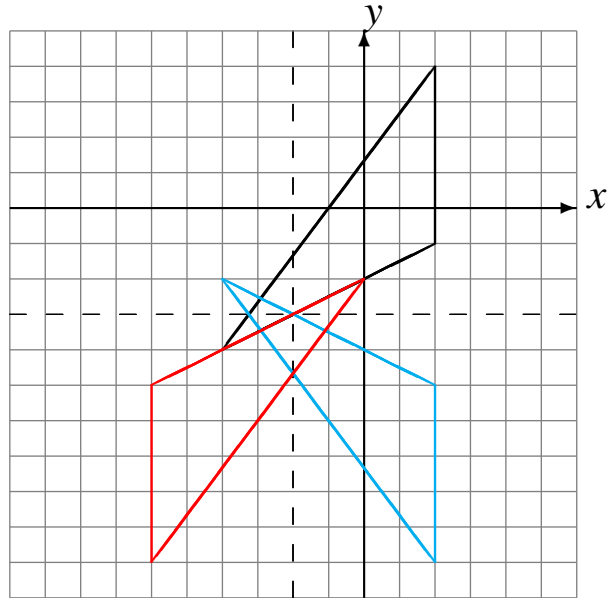
# Reflections (H) Answers

Draw the intermediate and reflected images.

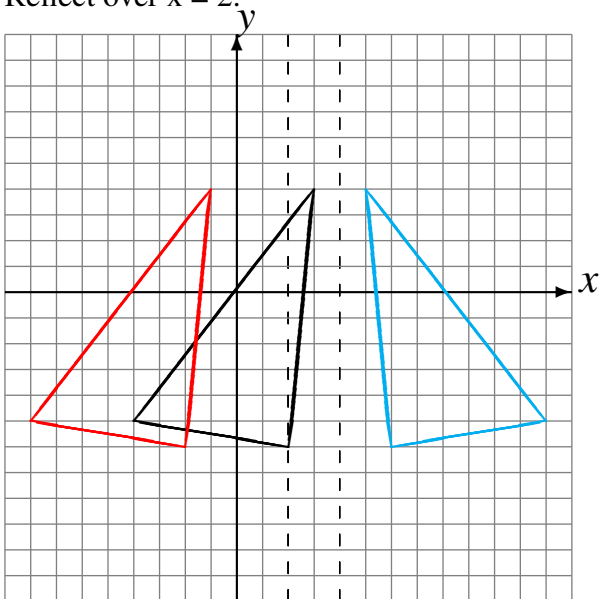
Reflect over  $y = -2$ .  
Reflect over  $y = 0$ .



Reflect over  $y = -3$ .  
Reflect over  $x = -2$ .



Reflect over  $x = 4$ .  
Reflect over  $x = 2$ .



Reflect over  $y = 2$ .  
Reflect over  $x = 4$ .

