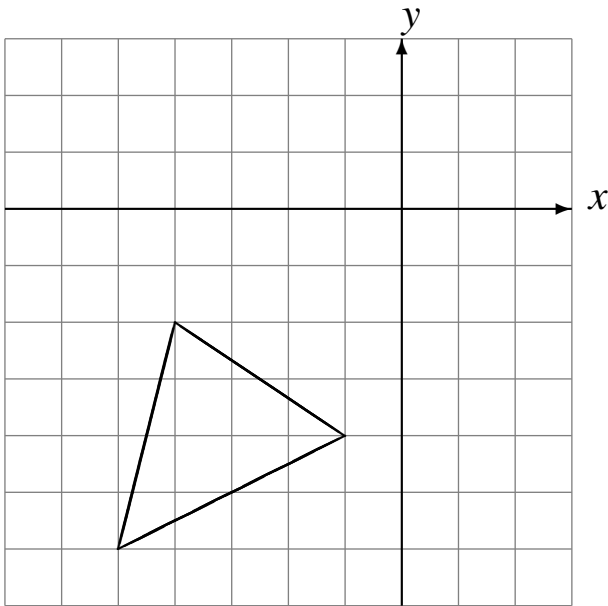


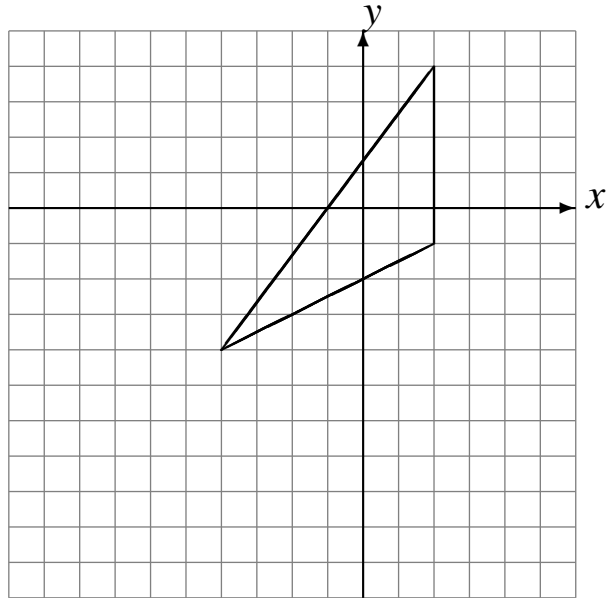
Reflections (H)

Draw the intermediate and reflected images.

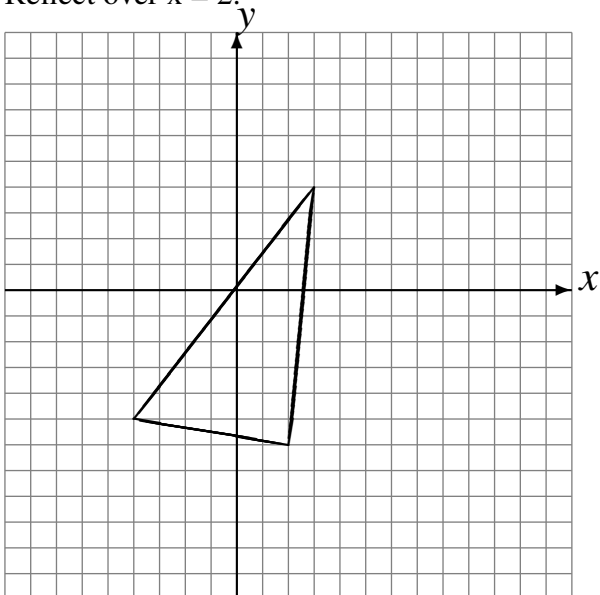
Reflect over $y = -2$.
Reflect over $y = 0$.



Reflect over $y = -3$.
Reflect over $x = -2$.



Reflect over $x = 4$.
Reflect over $x = 2$.



Reflect over $y = 2$.
Reflect over $x = 4$.

