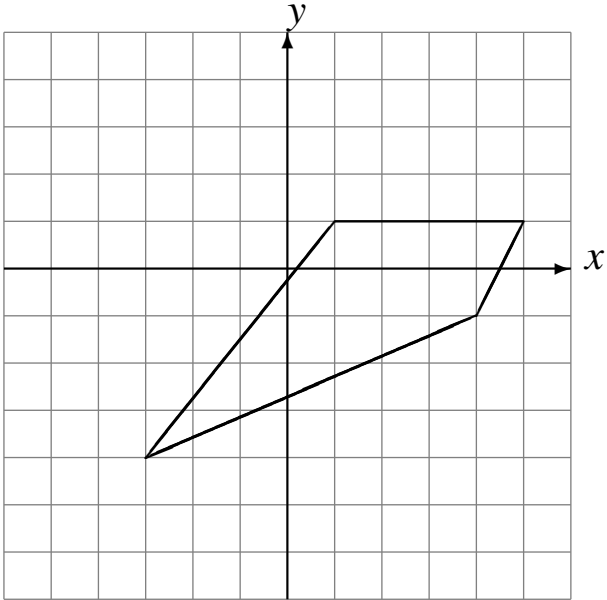


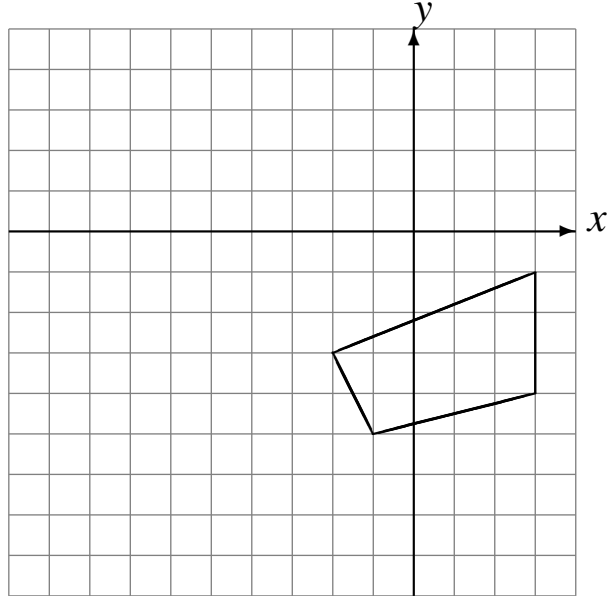
Reflections (H)

Draw the reflected image.

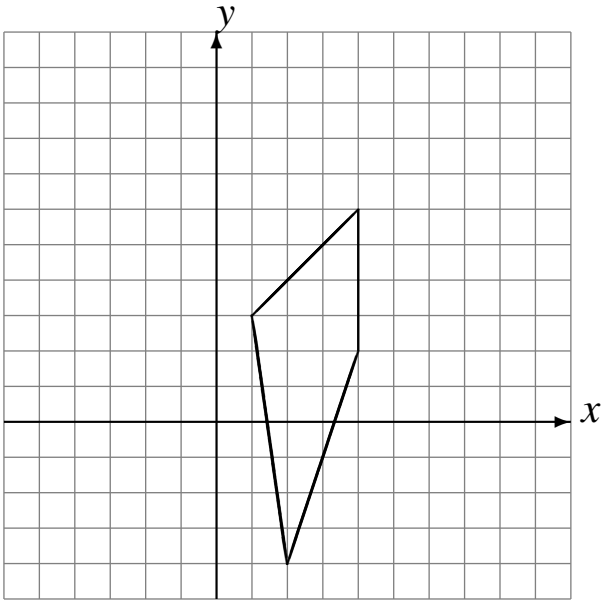
Reflect over $x = 0$.



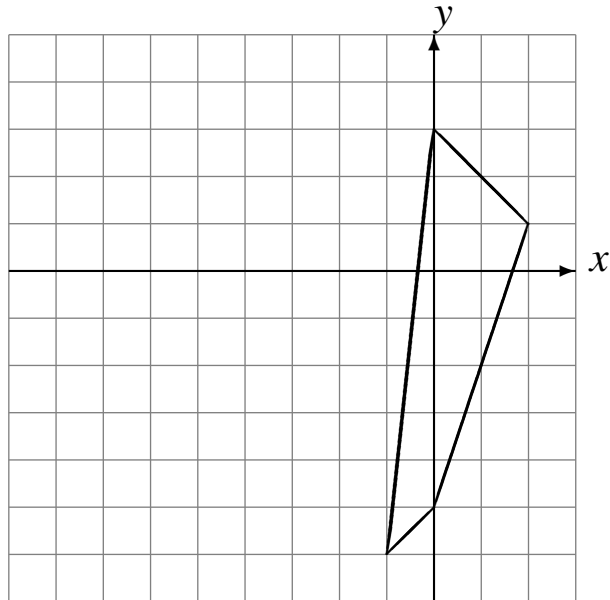
Reflect over $x = -3$.



Reflect over $y = 3$.



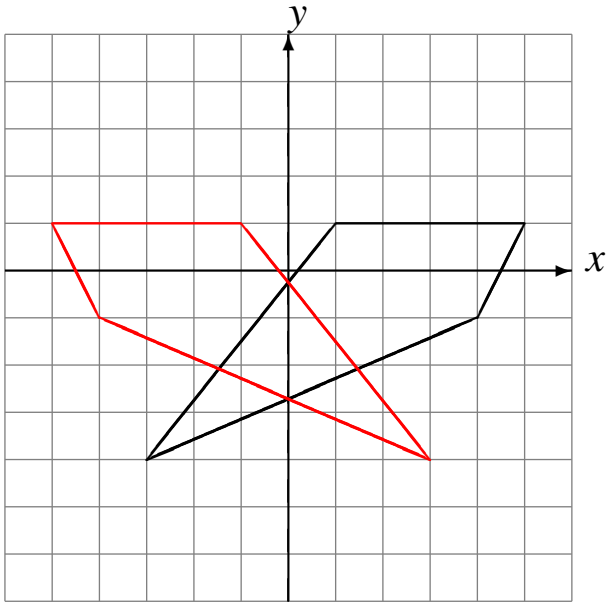
Reflect over $x = -3$.



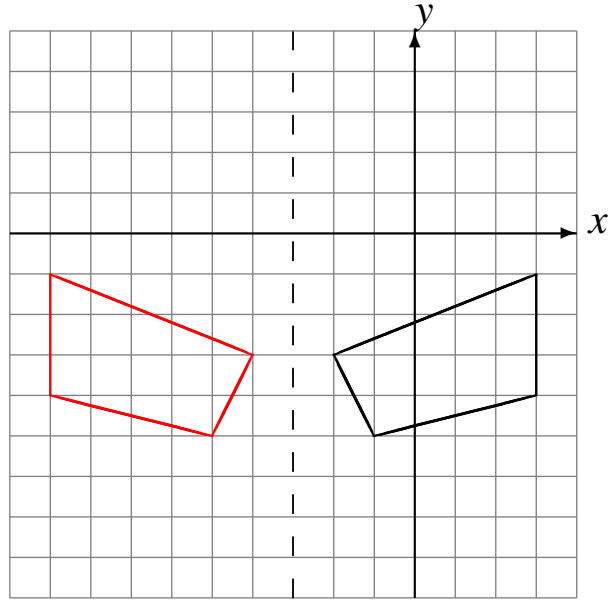
Reflections (H) Answers

Draw the reflected image.

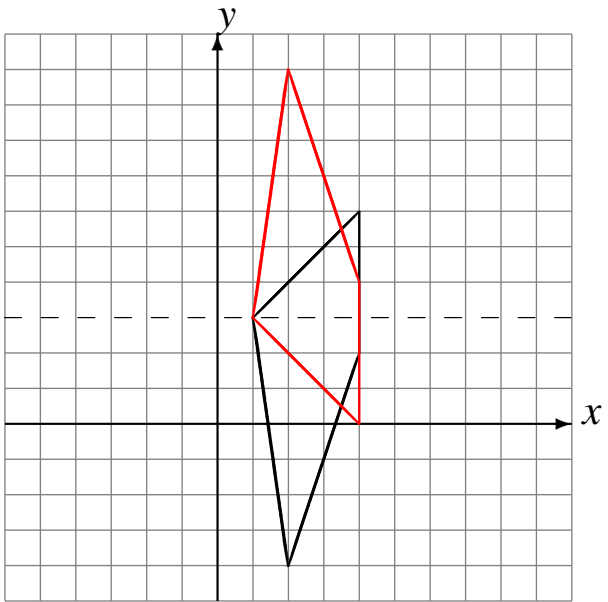
Reflect over $x = 0$.



Reflect over $x = -3$.



Reflect over $y = 3$.



Reflect over $x = -3$.

