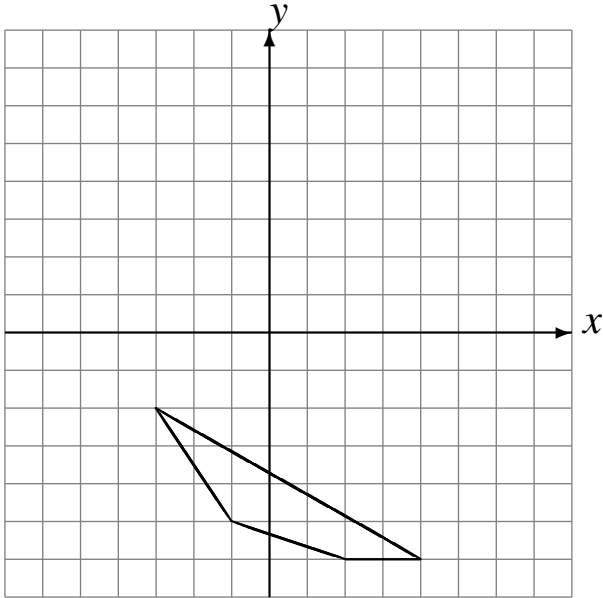


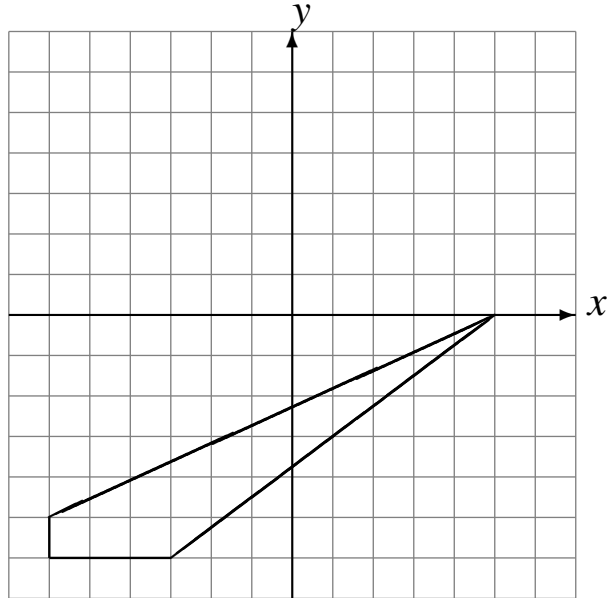
Rotations (A)

Draw the rotated image.

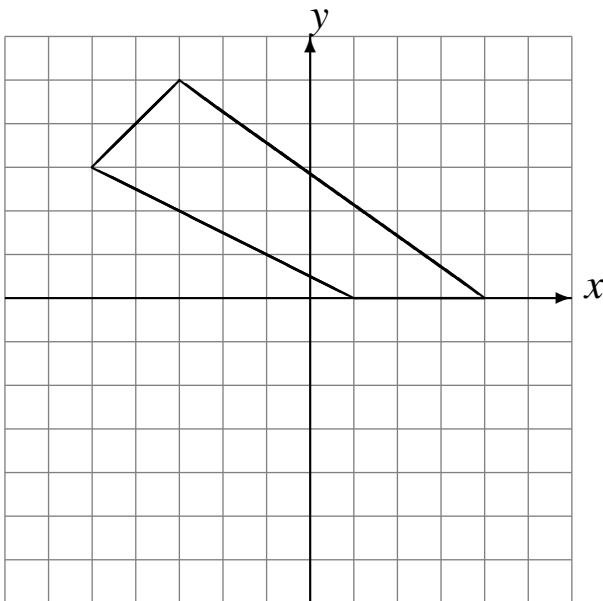
Rotate 90° clockwise about $(3, 1)$.



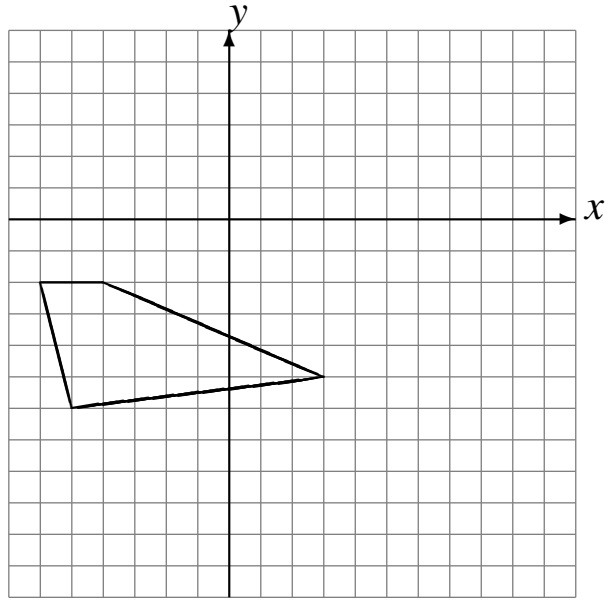
Rotate 90° clockwise about $(3, -3)$.



Rotate 90° counterclockwise about $(1, 0)$.



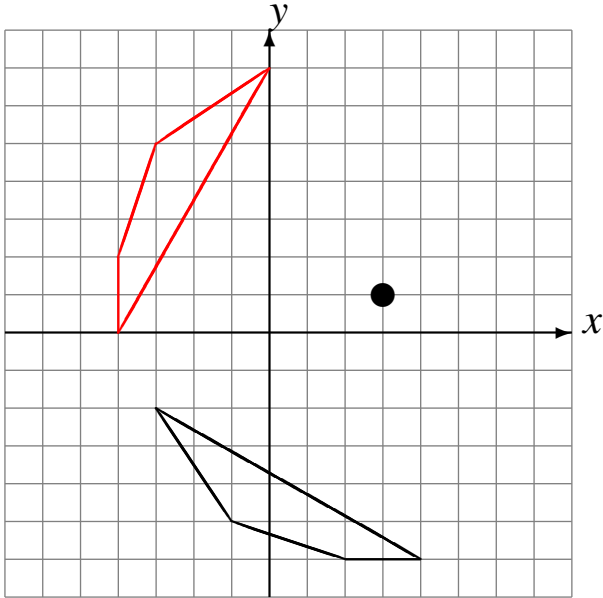
Rotate 180° about $(2, -4)$.



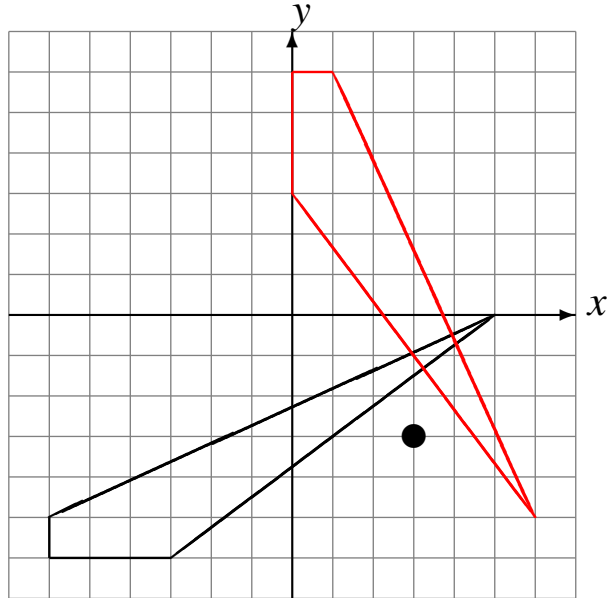
Rotations (A) Answers

Draw the rotated image.

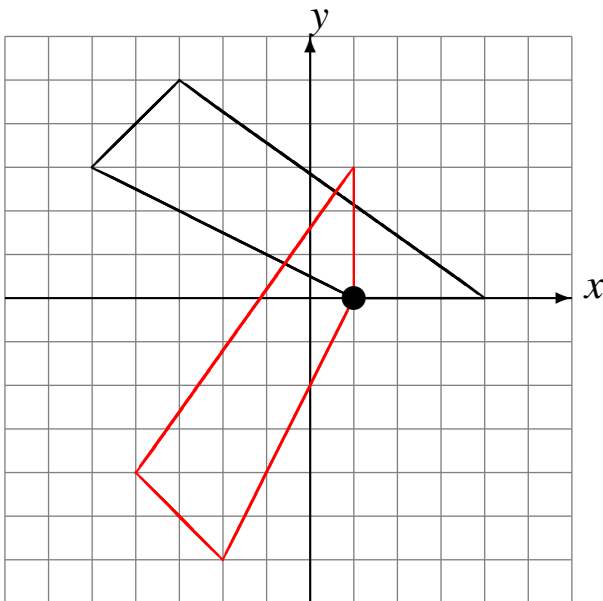
Rotate 90° clockwise about $(3, 1)$.



Rotate 90° clockwise about $(3, -3)$.



Rotate 90° counterclockwise about $(1, 0)$.



Rotate 180° about $(2, -4)$.

