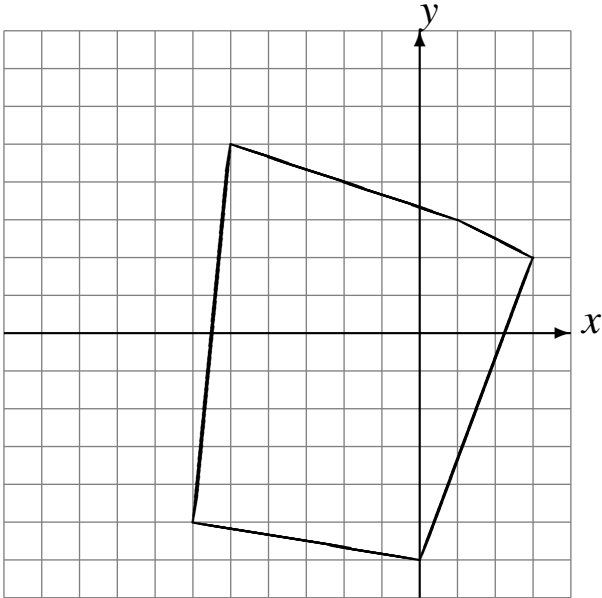


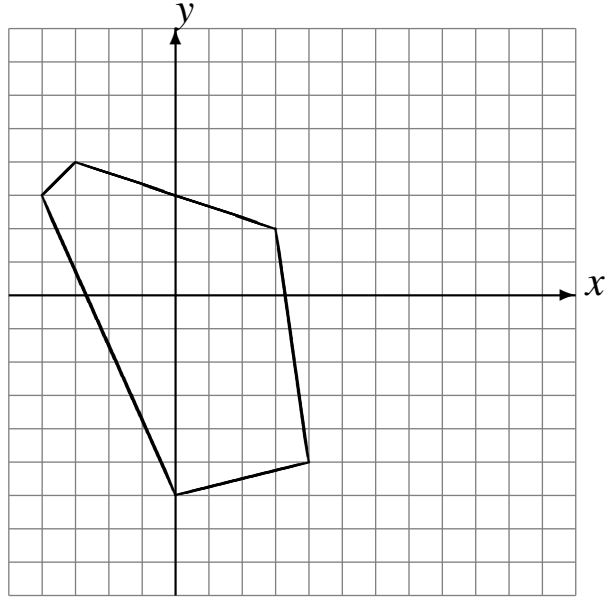
Rotations (J)

Draw the rotated image.

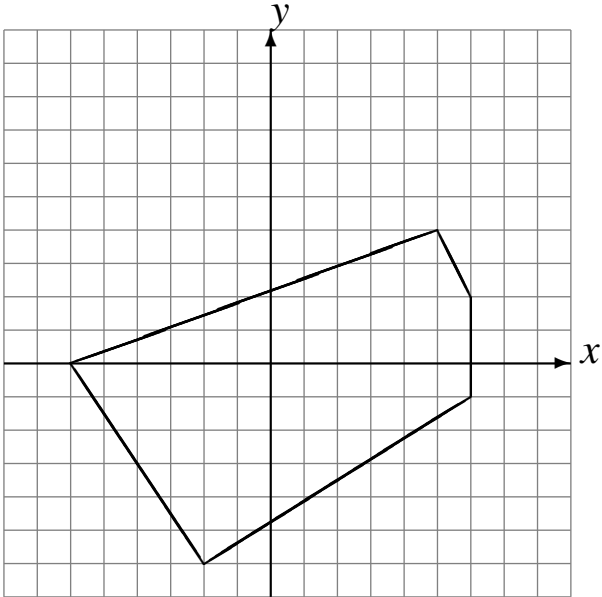
Rotate 90° counterclockwise about $(-4, -1)$.



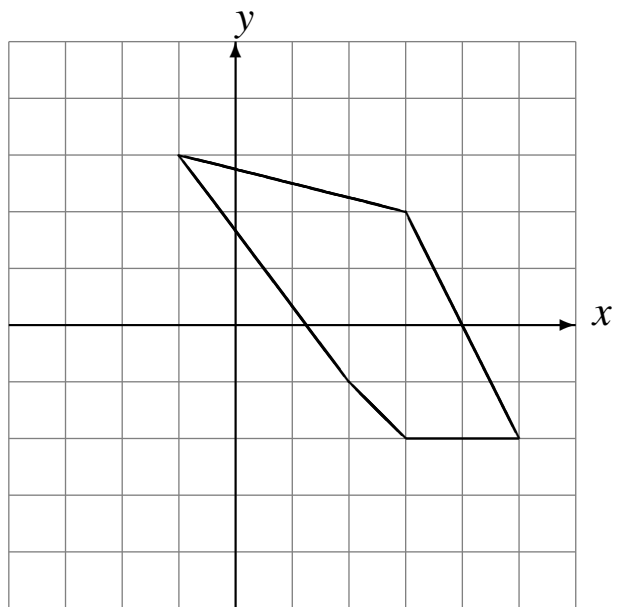
Rotate 90° counterclockwise about $(3, 2)$.



Rotate 90° counterclockwise about $(-2, 1)$.



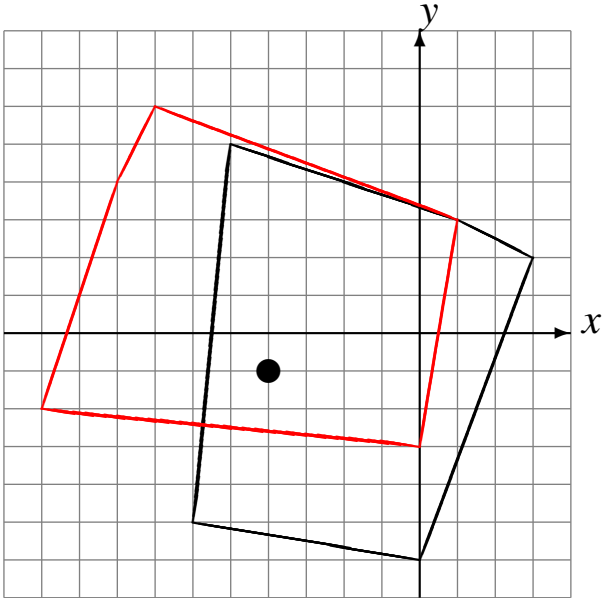
Rotate 90° clockwise about $(0, 1)$.



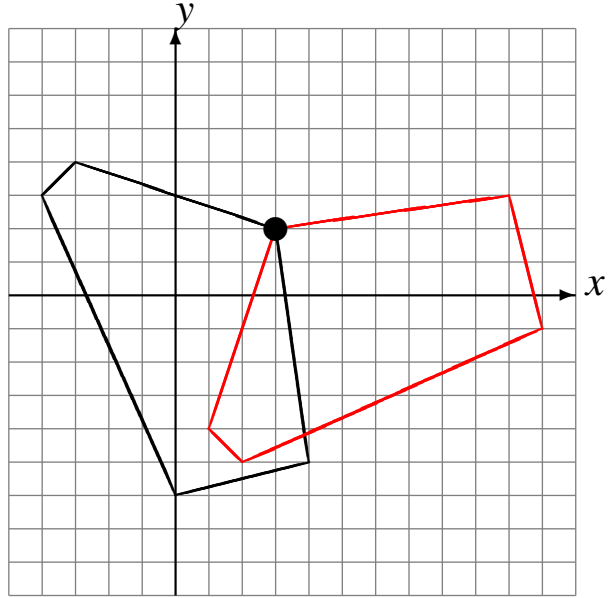
Rotations (J) Answers

Draw the rotated image.

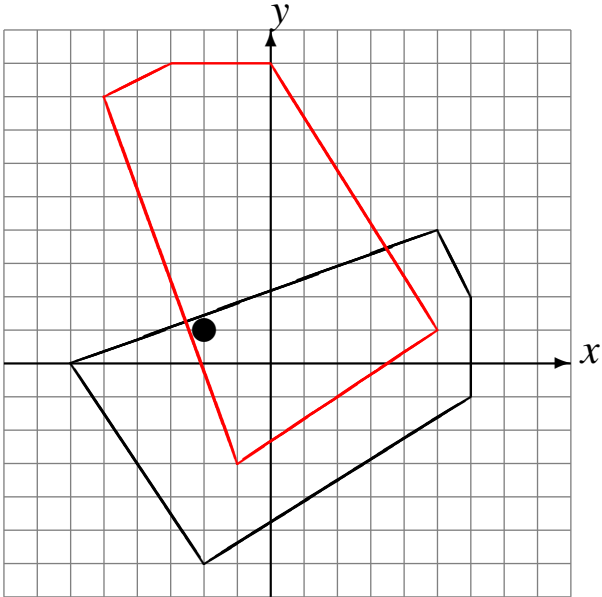
Rotate 90° counterclockwise about $(-4, -1)$.



Rotate 90° counterclockwise about $(3, 2)$.



Rotate 90° counterclockwise about $(-2, 1)$.



Rotate 90° clockwise about $(0, 1)$.

