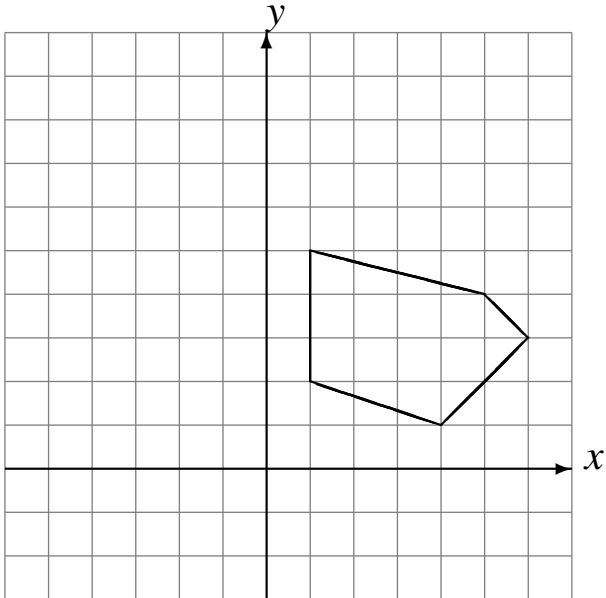


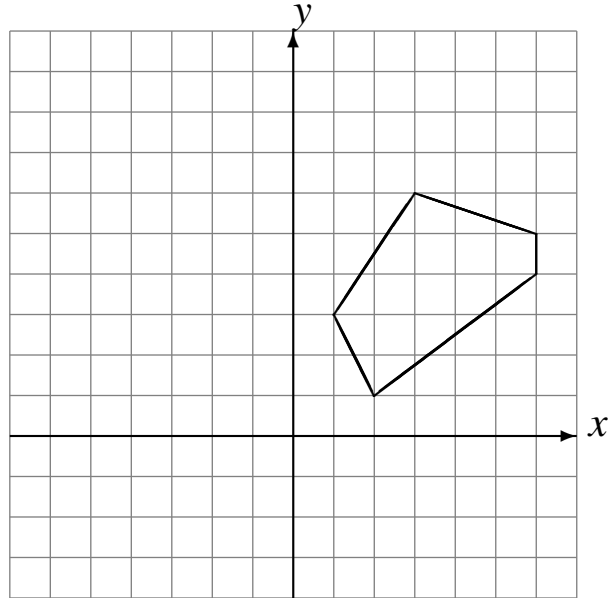
# Rotations (C)

Draw the rotated image.

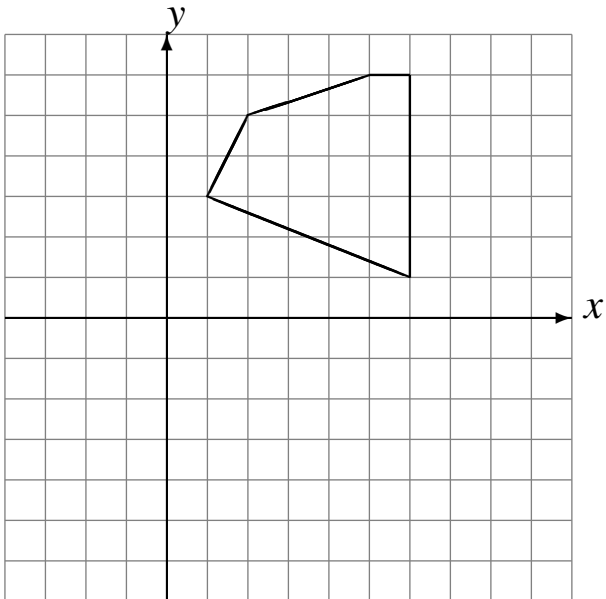
Rotate  $90^\circ$  counterclockwise about  $(0, 0)$ .



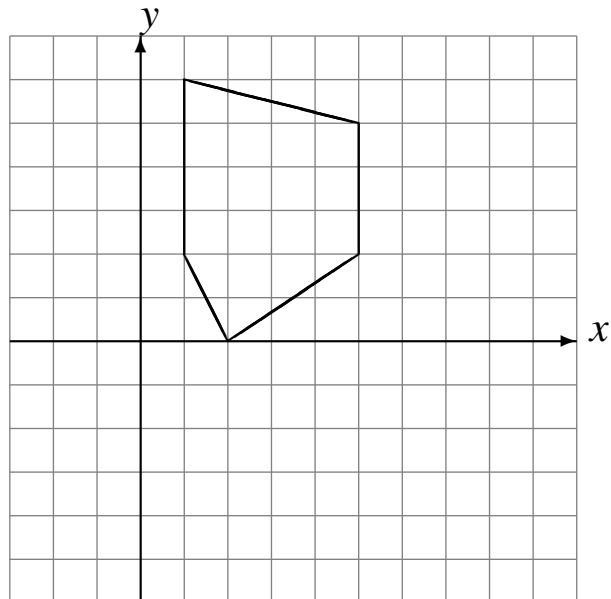
Rotate  $90^\circ$  counterclockwise about  $(0, 0)$ .



Rotate  $90^\circ$  clockwise about  $(0, 0)$ .



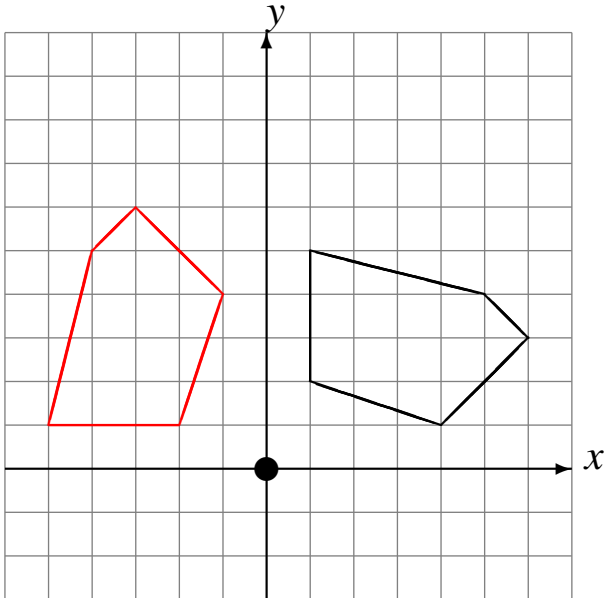
Rotate  $90^\circ$  clockwise about  $(0, 0)$ .



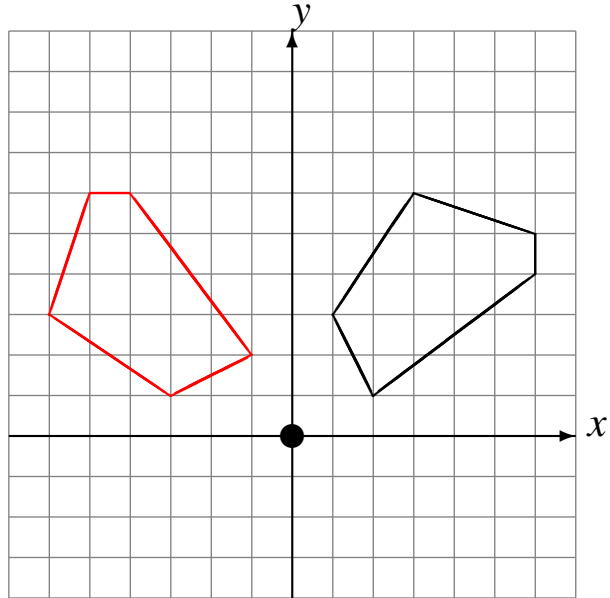
# Rotations (C) Answers

Draw the rotated image.

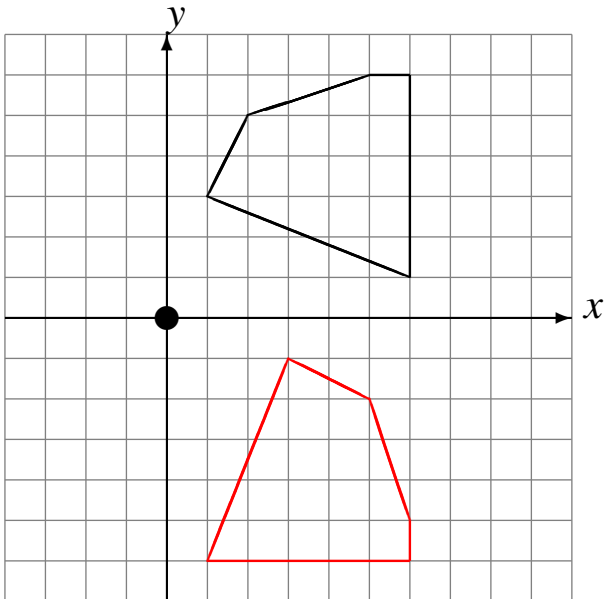
Rotate  $90^\circ$  counterclockwise about  $(0, 0)$ .



Rotate  $90^\circ$  counterclockwise about  $(0, 0)$ .



Rotate  $90^\circ$  clockwise about  $(0, 0)$ .



Rotate  $90^\circ$  clockwise about  $(0, 0)$ .

