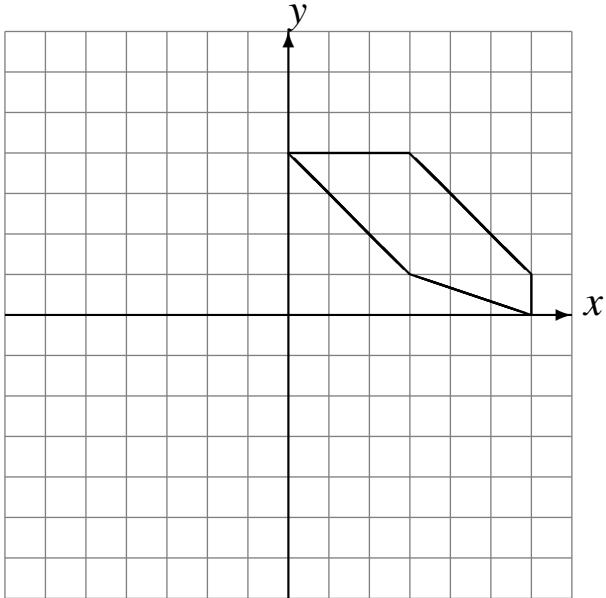


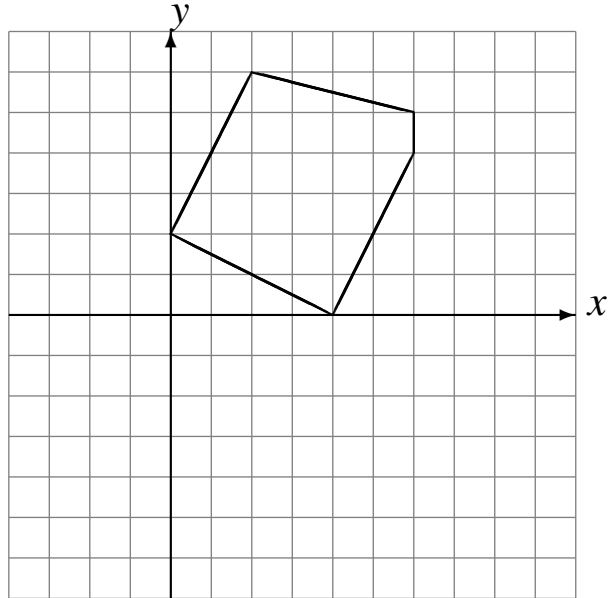
Rotations (J)

Draw the rotated image.

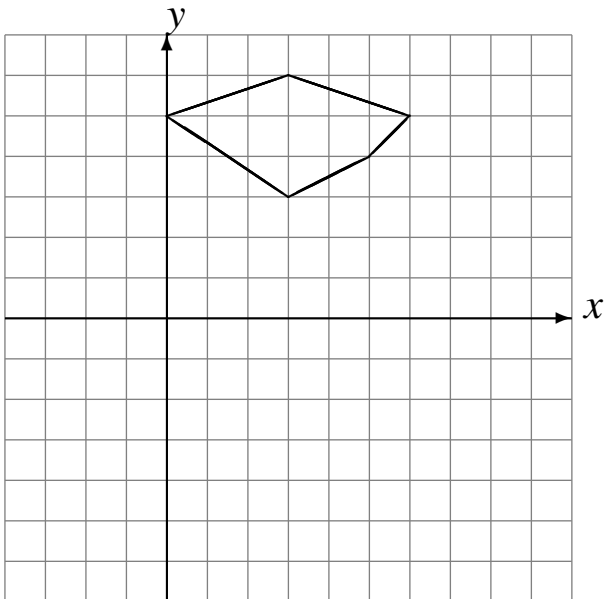
Rotate 180° about $(0, 0)$.



Rotate 90° clockwise about $(0, 0)$.



Rotate 90° clockwise about $(0, 0)$.



Rotate 90° counterclockwise about $(0, 0)$.

