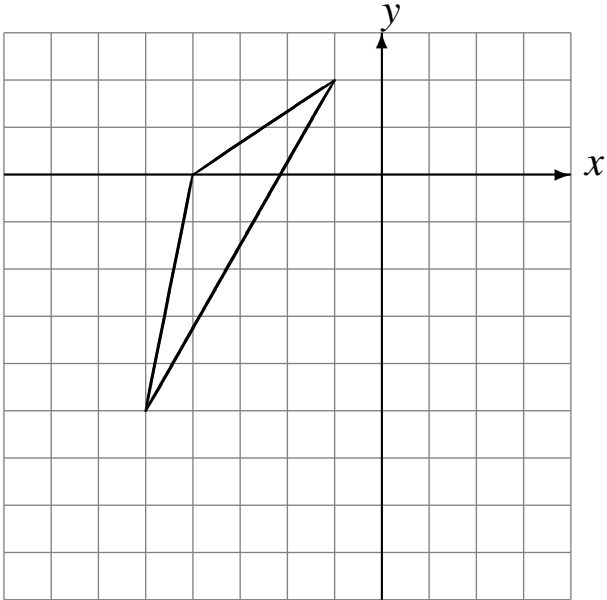


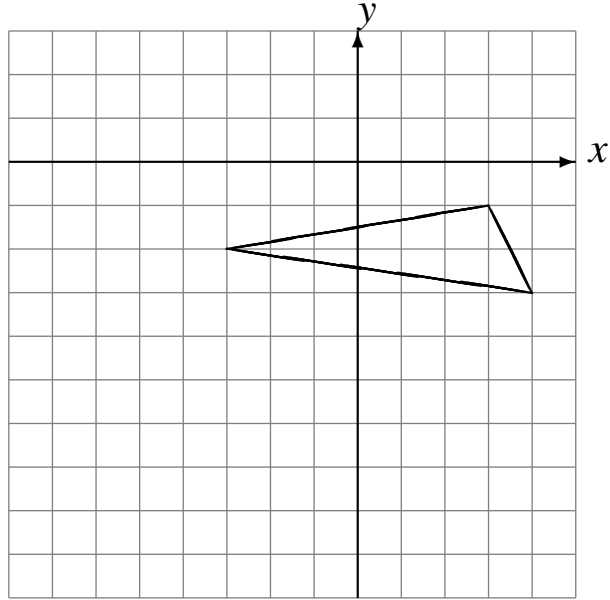
# Translations (H)

Draw each translated image.

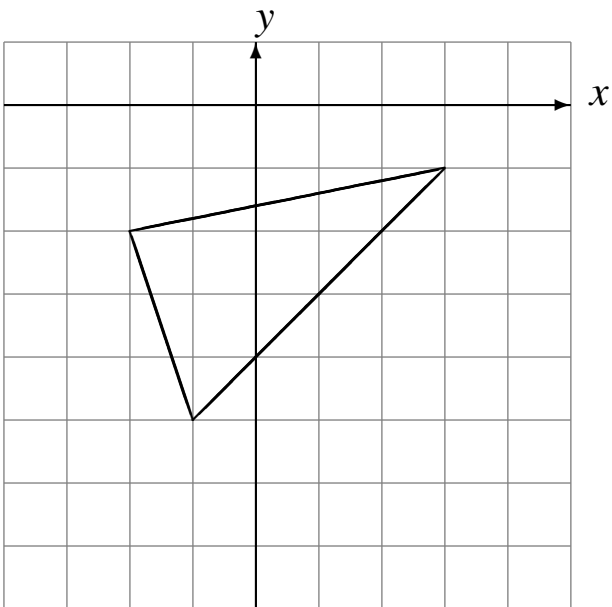
Translate by  $(1, -3)$ .



Translate by  $(-4, -4)$ .



Translate by  $(0, -2)$ .



Translate by  $(-4, -5)$ .

