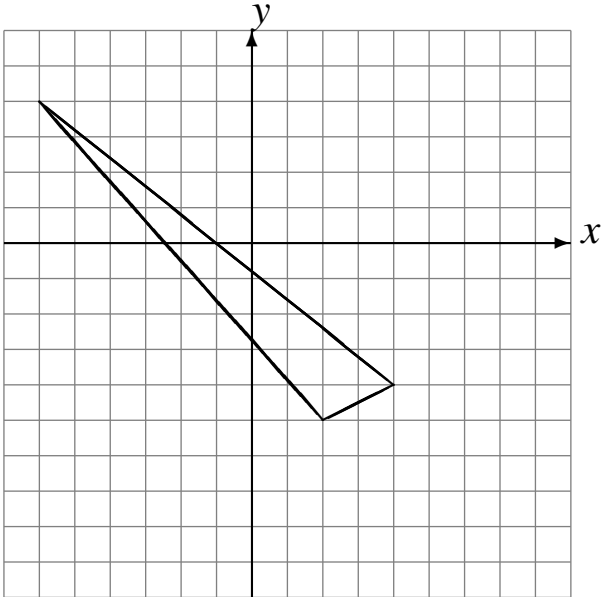


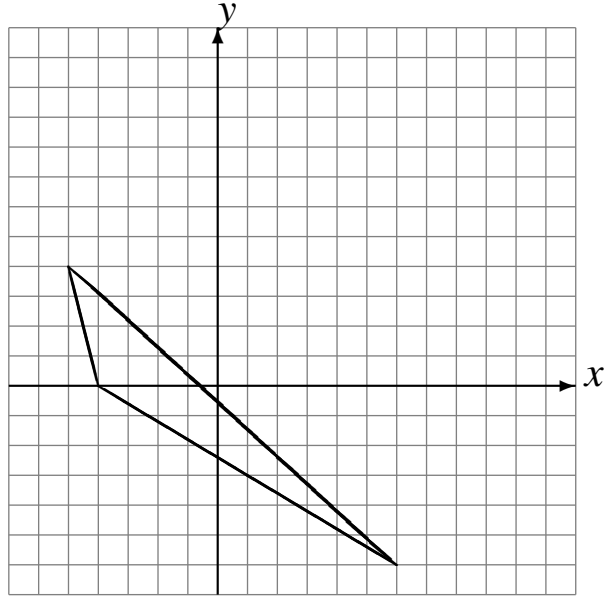
Translations (C)

Draw the intermediate and translated images.

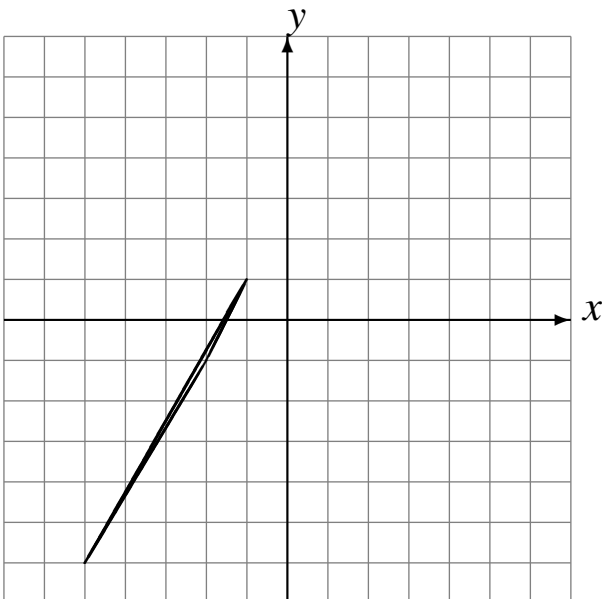
Translate by $(4, -4)$.
Translate by $(-3, 5)$.



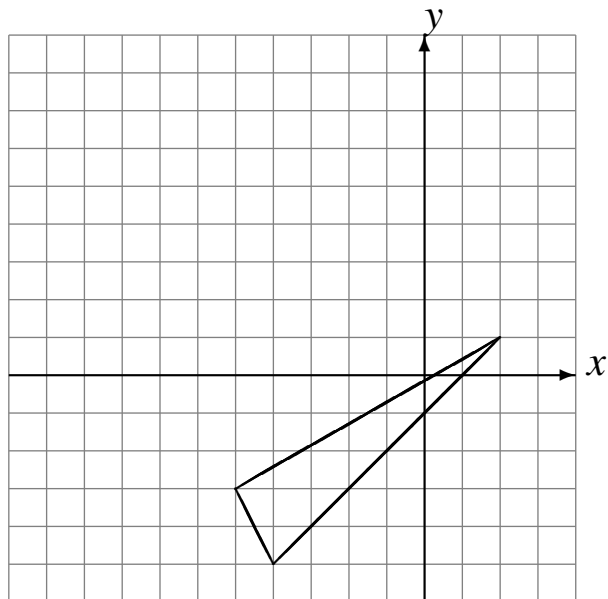
Translate by $(4, 3)$.
Translate by $(0, 4)$.



Translate by $(2, 5)$.
Translate by $(3, -2)$.



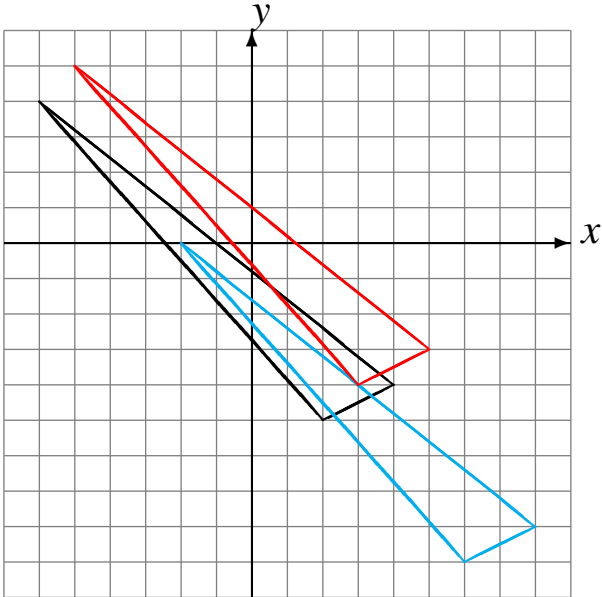
Translate by $(-3, 5)$.
Translate by $(-1, 2)$.



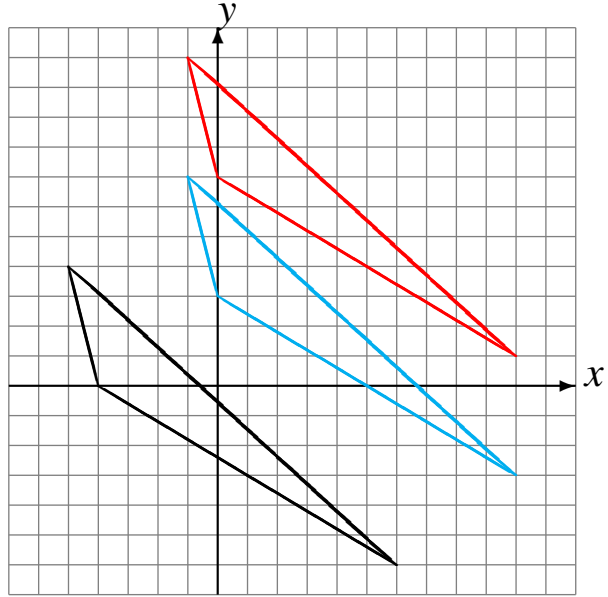
Translations (C) Answers

Draw the intermediate and translated images.

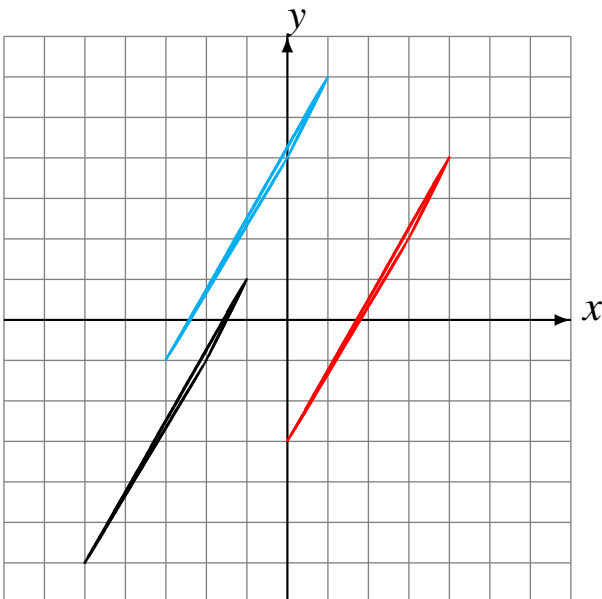
Translate by $(4, -4)$.
Translate by $(-3, 5)$.



Translate by $(4, 3)$.
Translate by $(0, 4)$.



Translate by $(2, 5)$.
Translate by $(3, -2)$.



Translate by $(-3, 5)$.
Translate by $(-1, 2)$.

