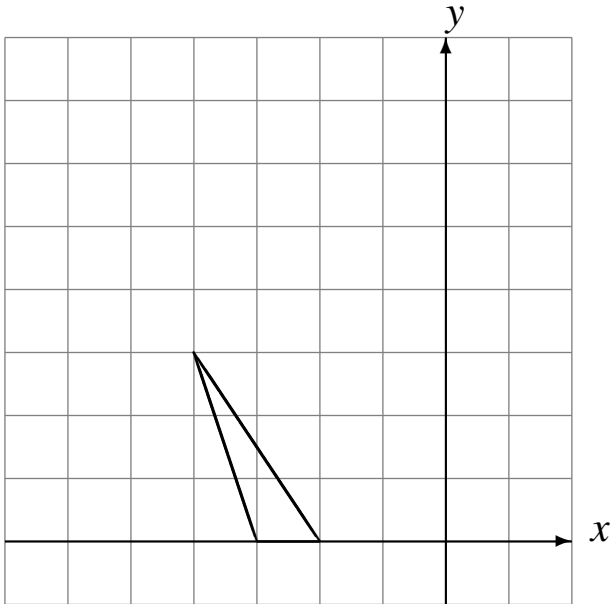


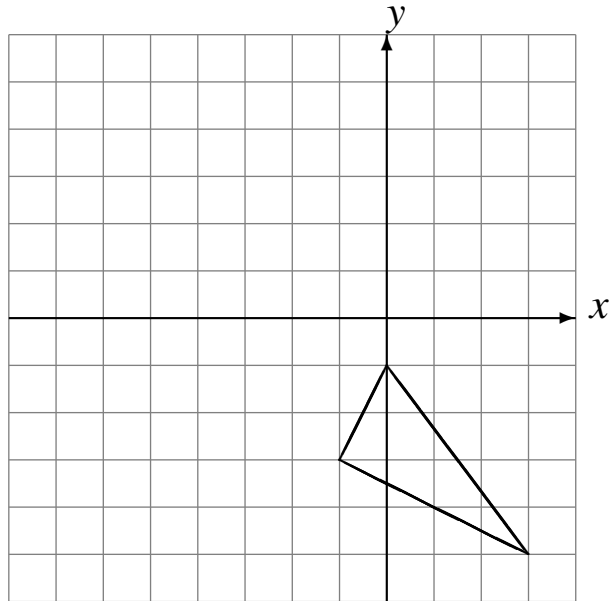
# Translations (A)

Draw each translated image.

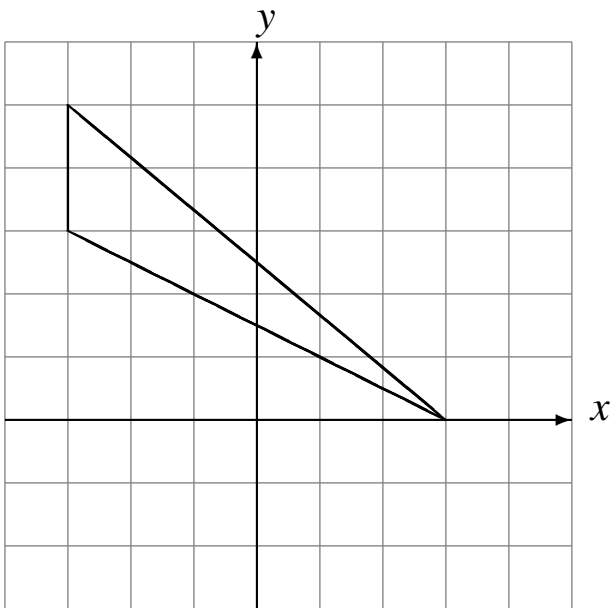
Translate by  $(-2, 4)$ .



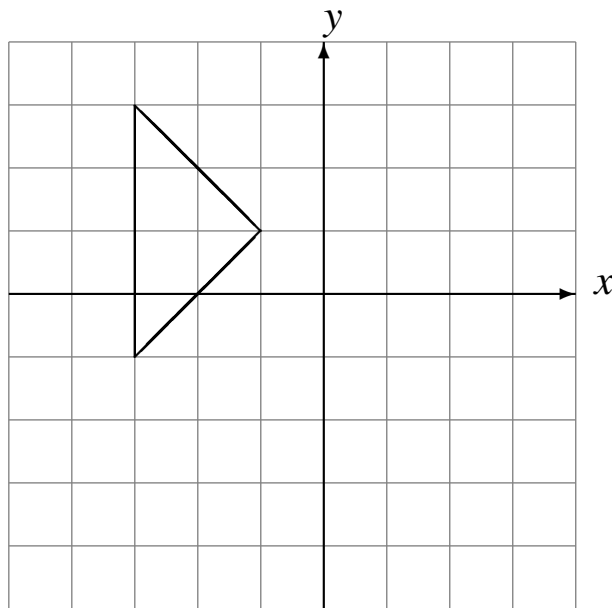
Translate by  $(-6, 5)$ .



Translate by  $(0, -2)$ .



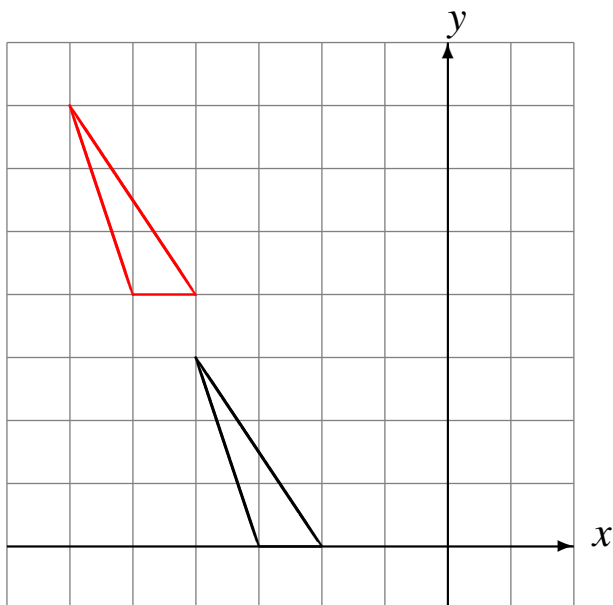
Translate by  $(3, -3)$ .



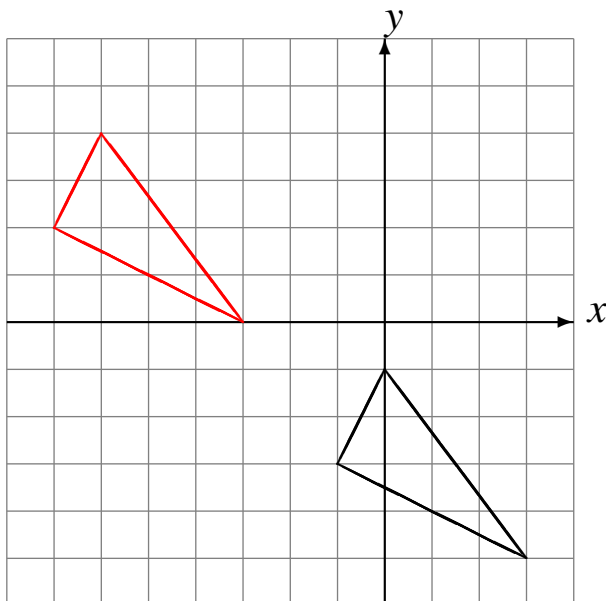
# Translations (A) Answers

Draw each translated image.

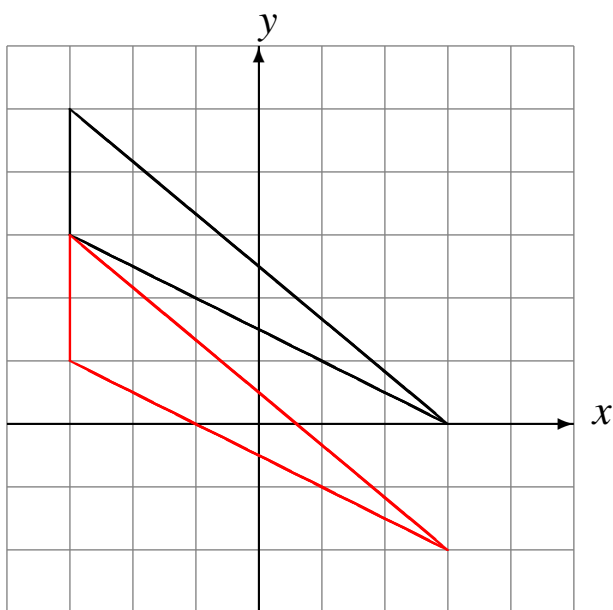
Translate by  $(-2, 4)$ .



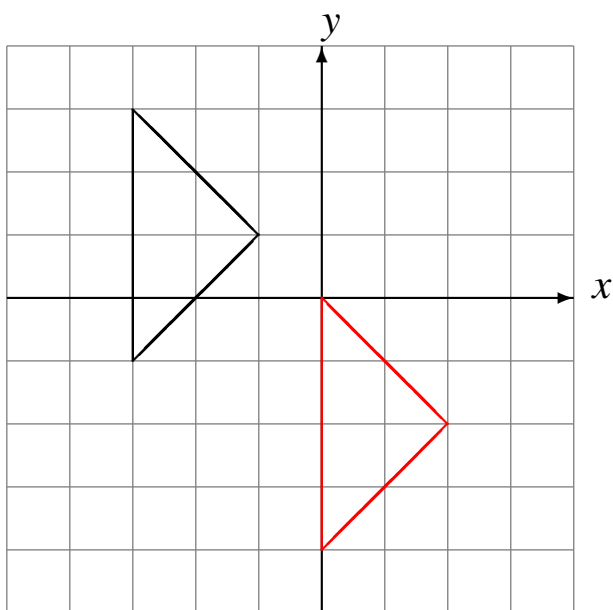
Translate by  $(-6, 5)$ .



Translate by  $(0, -2)$ .



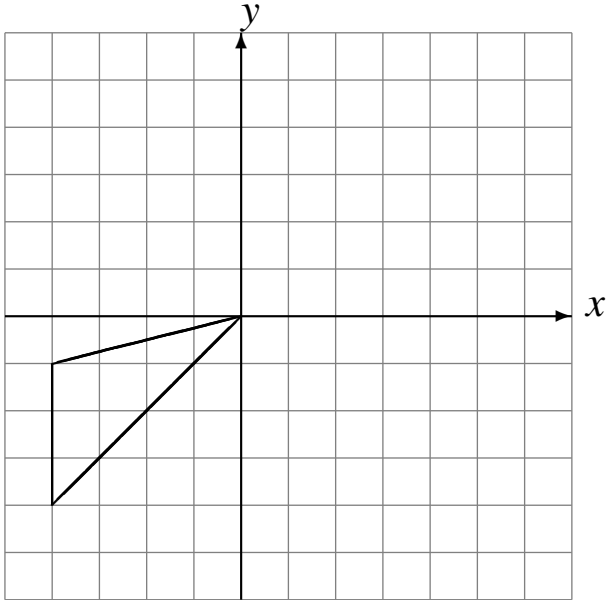
Translate by  $(3, -3)$ .



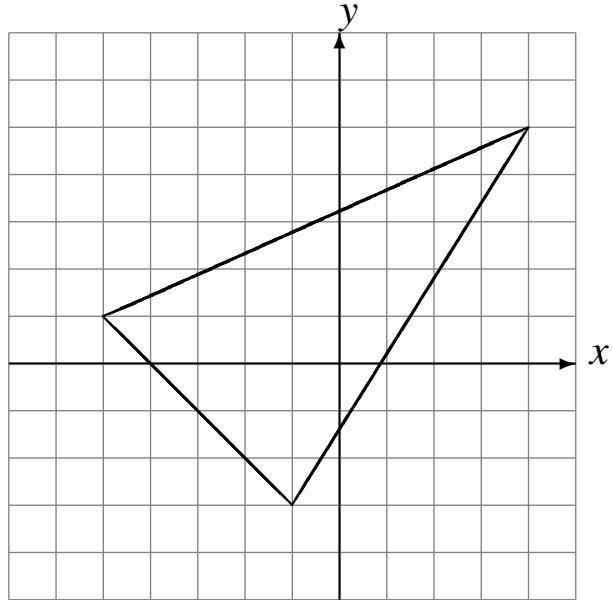
# Translations (B)

Draw each translated image.

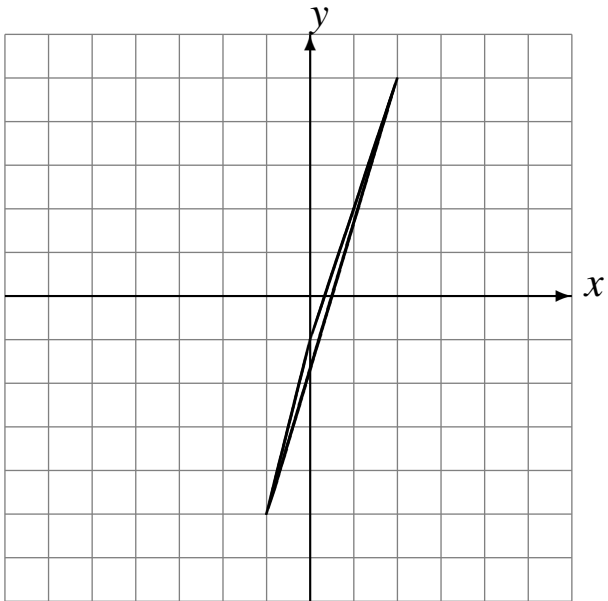
Translate by  $(6, 4)$ .



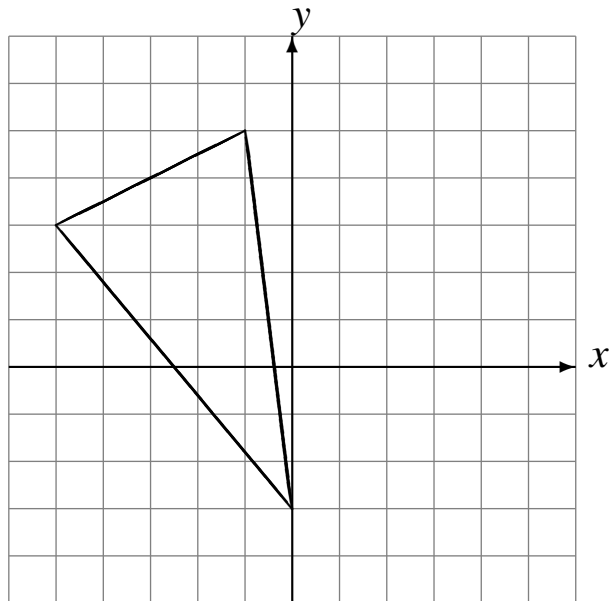
Translate by  $(-1, -1)$ .



Translate by  $(-3, -1)$ .



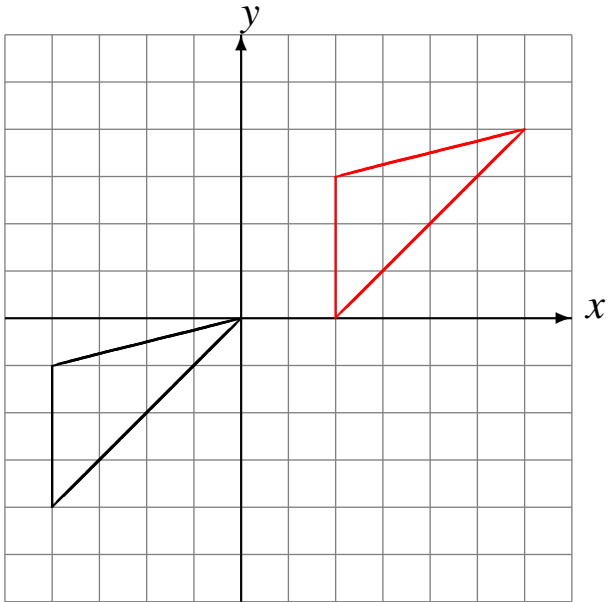
Translate by  $(5, 0)$ .



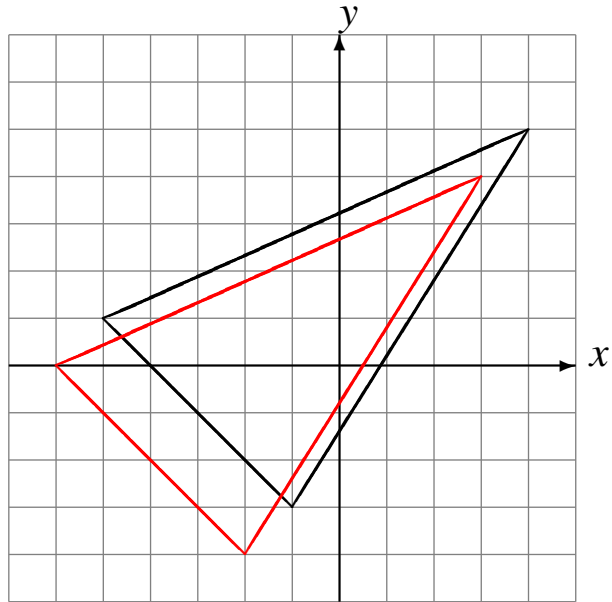
# Translations (B) Answers

Draw each translated image.

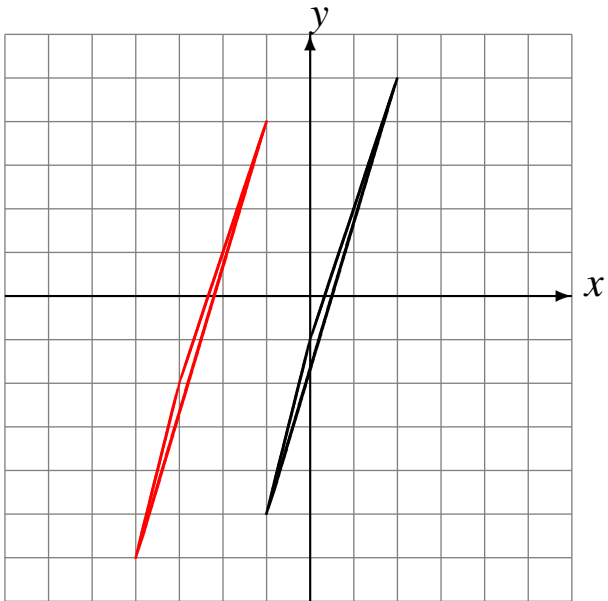
Translate by  $(6, 4)$ .



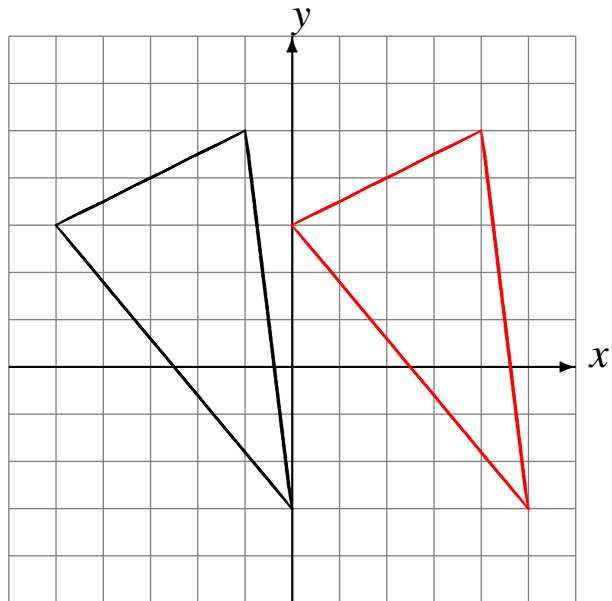
Translate by  $(-1, -1)$ .



Translate by  $(-3, -1)$ .



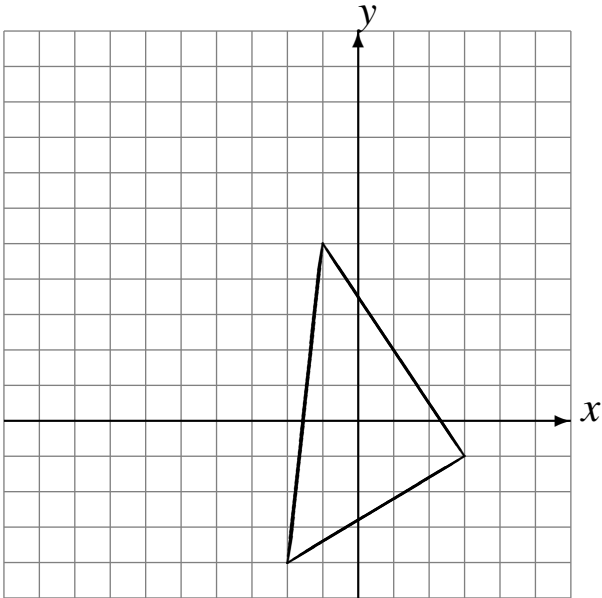
Translate by  $(5, 0)$ .



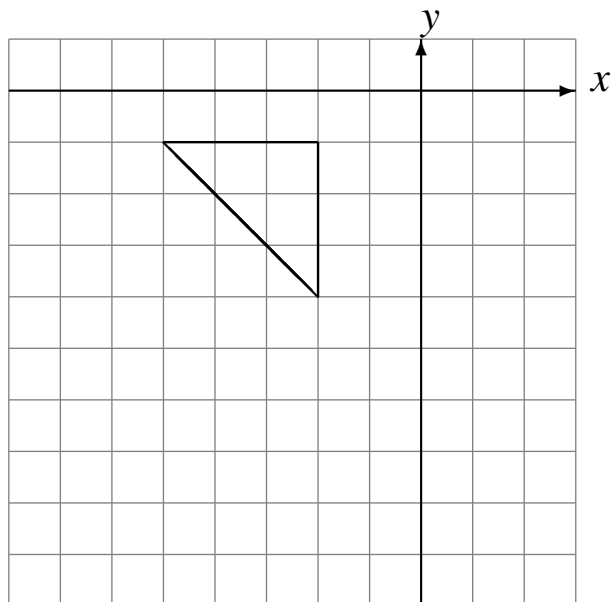
# Translations (C)

Draw each translated image.

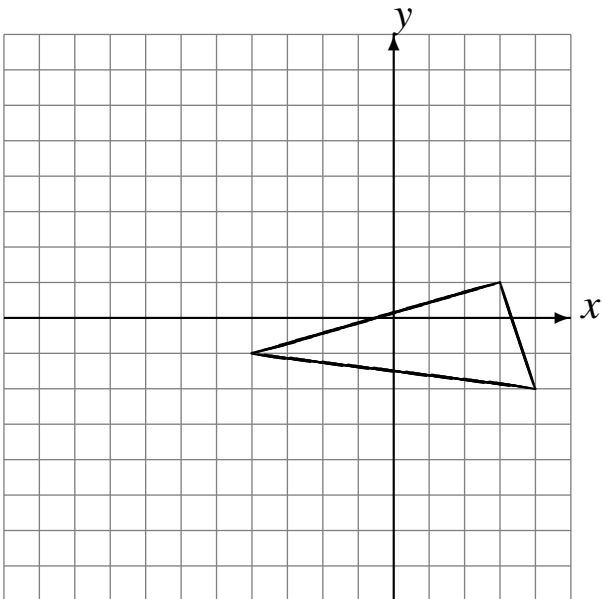
Translate by  $(-6, 5)$ .



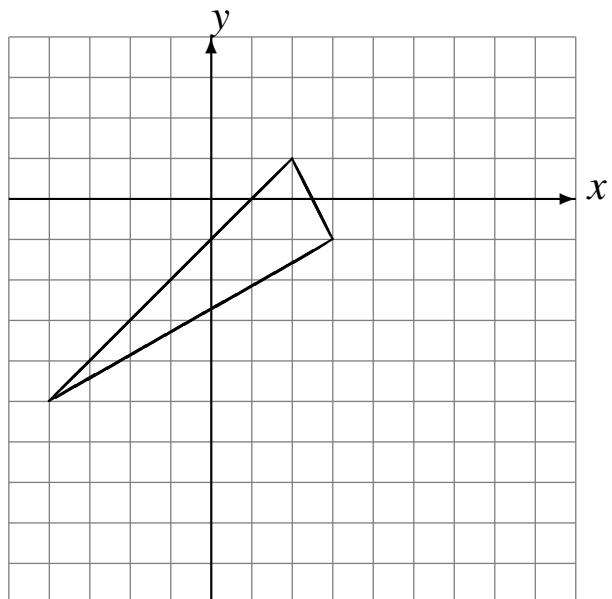
Translate by  $(-1, -5)$ .



Translate by  $(-6, 1)$ .



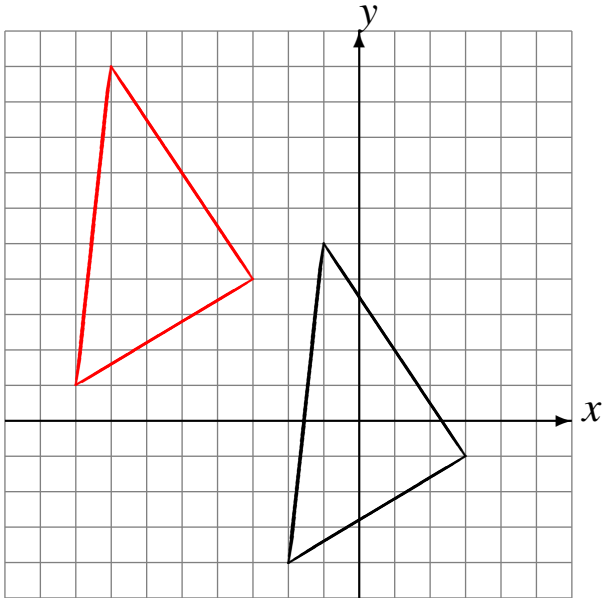
Translate by  $(5, -3)$ .



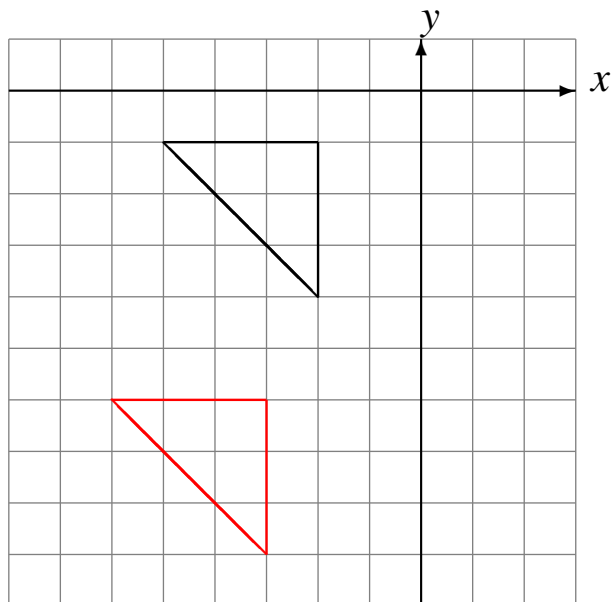
# Translations (C) Answers

Draw each translated image.

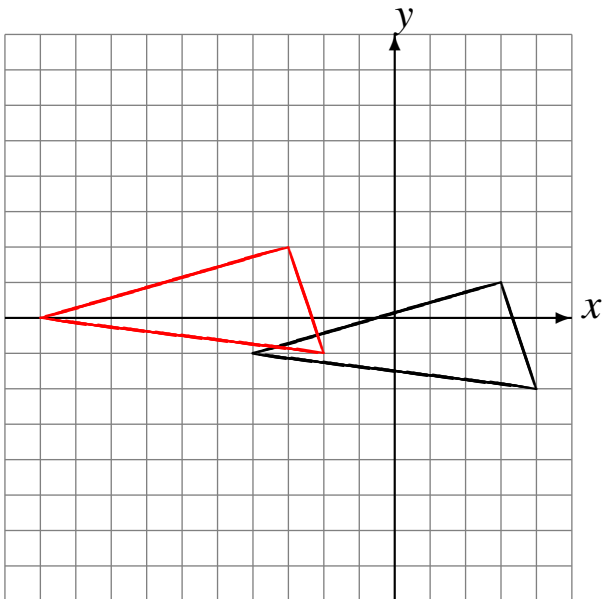
Translate by  $(-6, 5)$ .



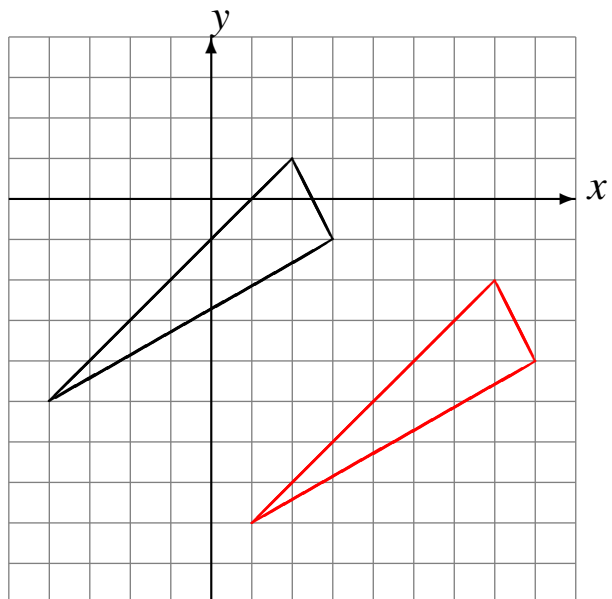
Translate by  $(-1, -5)$ .



Translate by  $(-6, 1)$ .



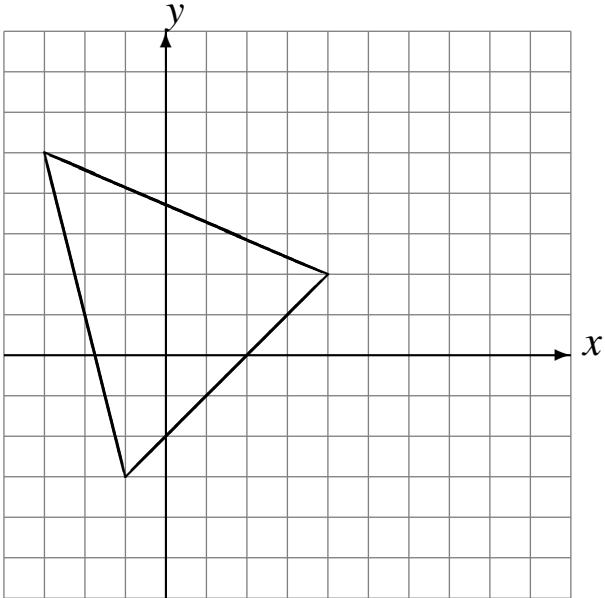
Translate by  $(5, -3)$ .



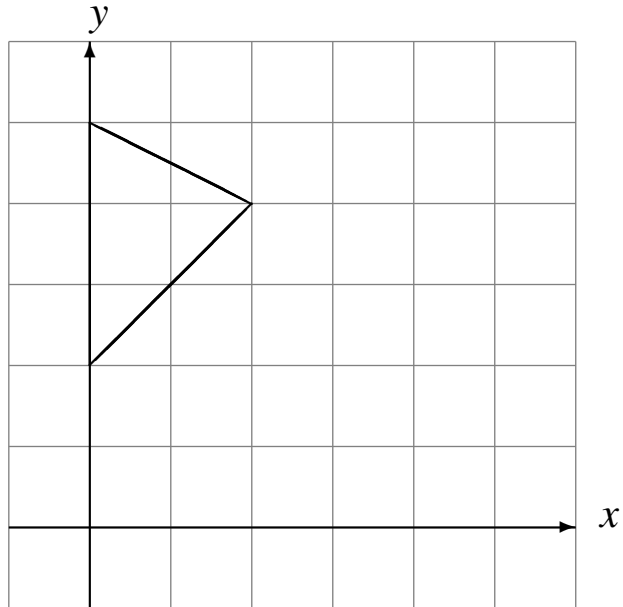
# Translations (D)

Draw each translated image.

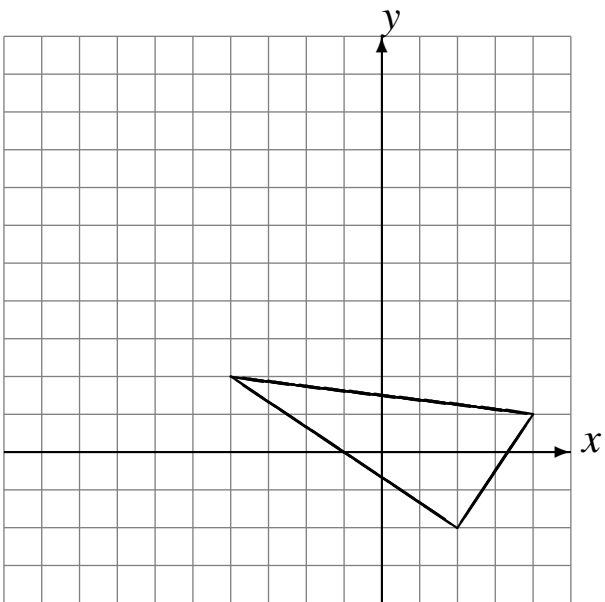
Translate by  $(5, -1)$ .



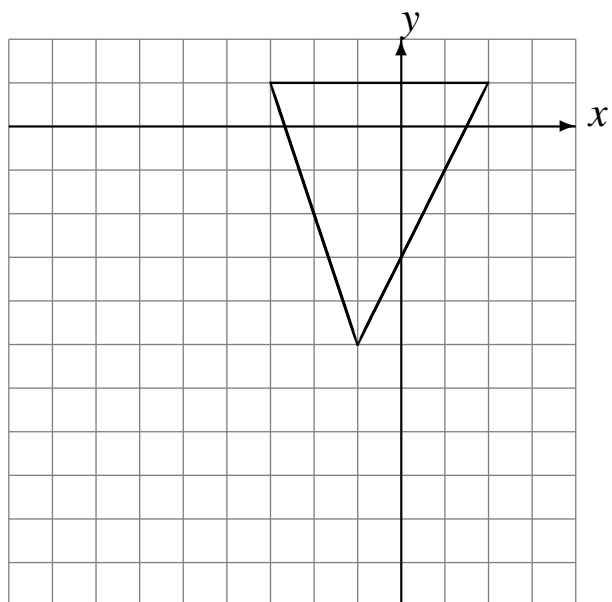
Translate by  $(3, -2)$ .



Translate by  $(-5, 6)$ .



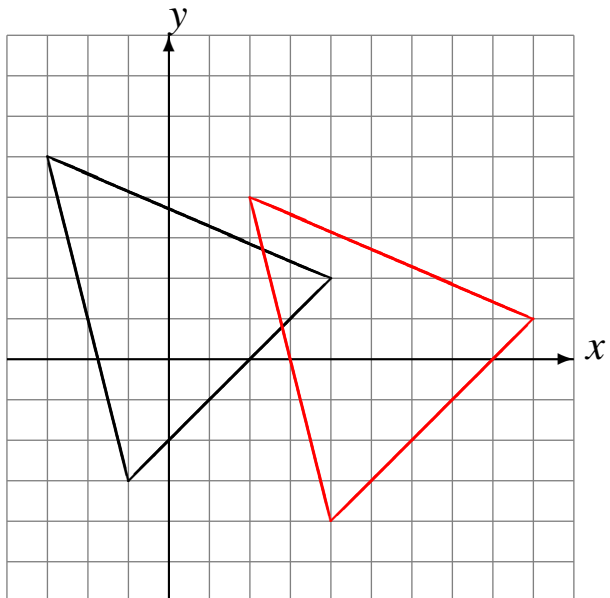
Translate by  $(-4, -5)$ .



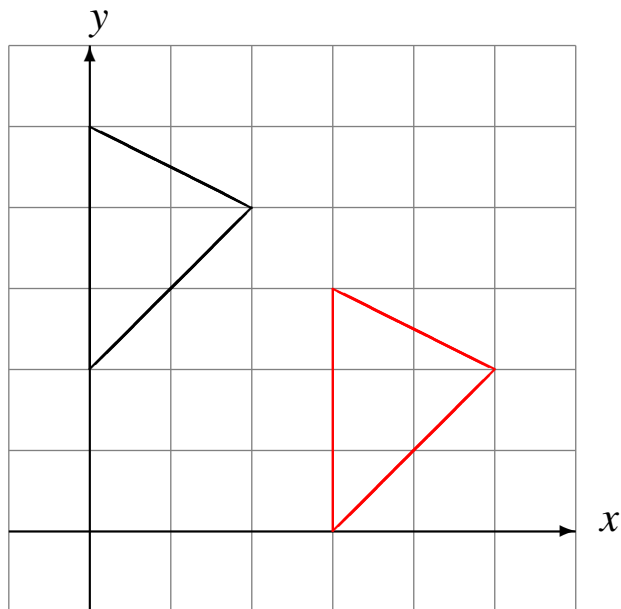
# Translations (D) Answers

Draw each translated image.

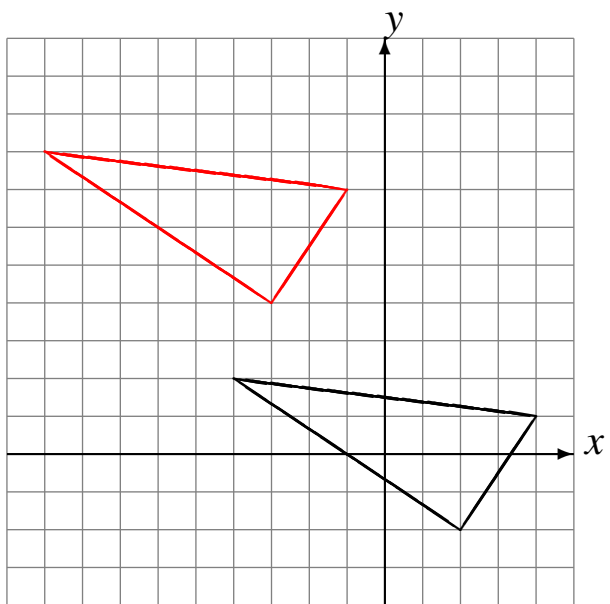
Translate by  $(5, -1)$ .



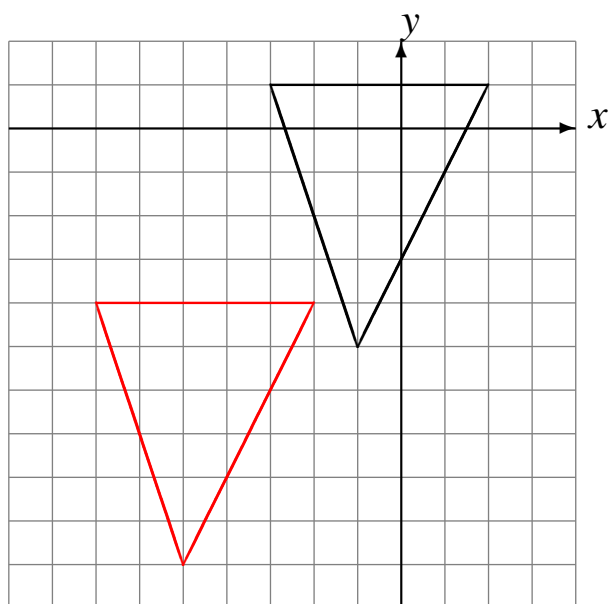
Translate by  $(3, -2)$ .



Translate by  $(-5, 6)$ .



Translate by  $(-4, -5)$ .

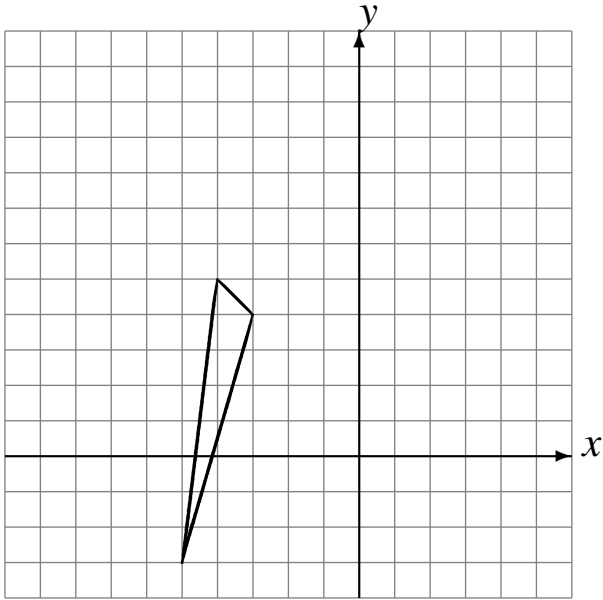




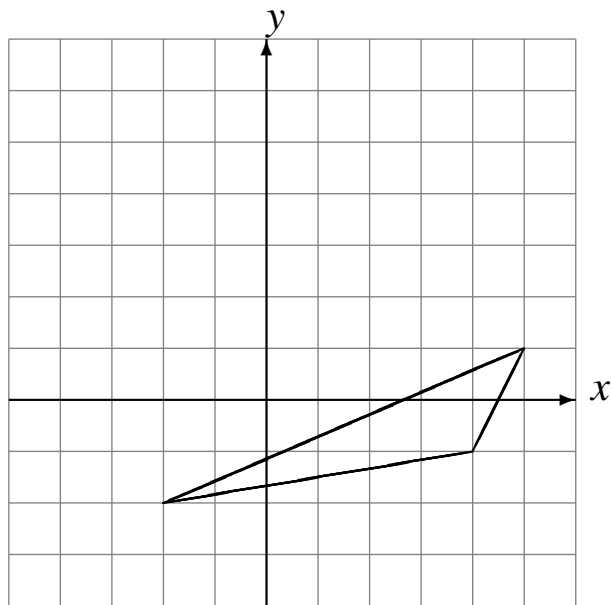
# Translations (E)

Draw each translated image.

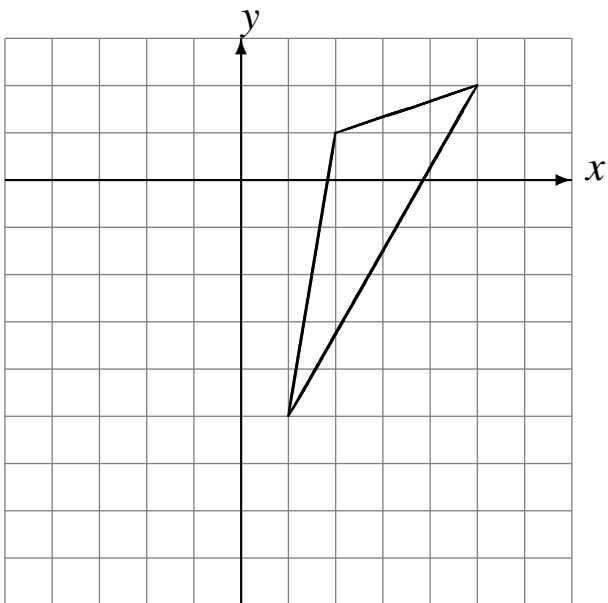
Translate by  $(4, 6)$ .



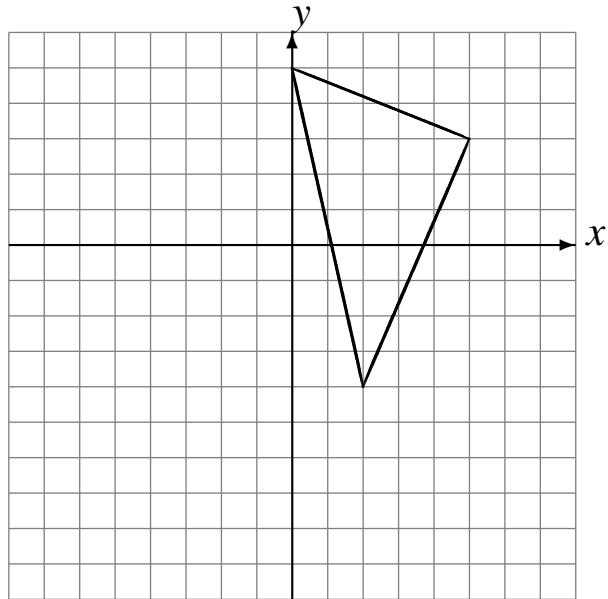
Translate by  $(-2, 4)$ .



Translate by  $(-5, -3)$ .



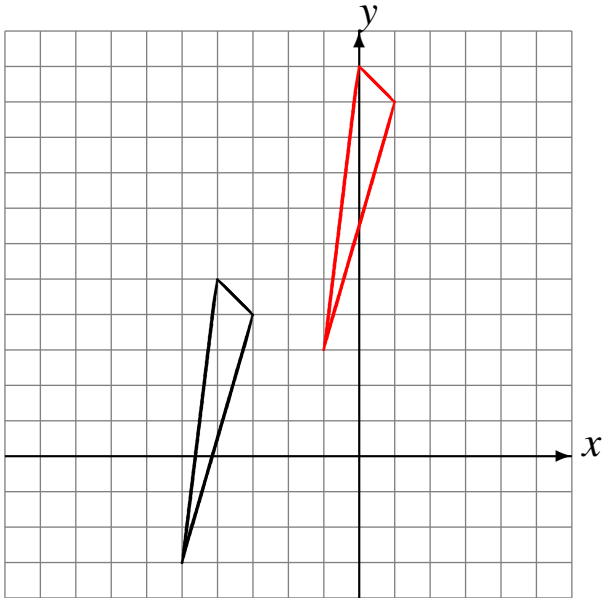
Translate by  $(-6, -5)$ .



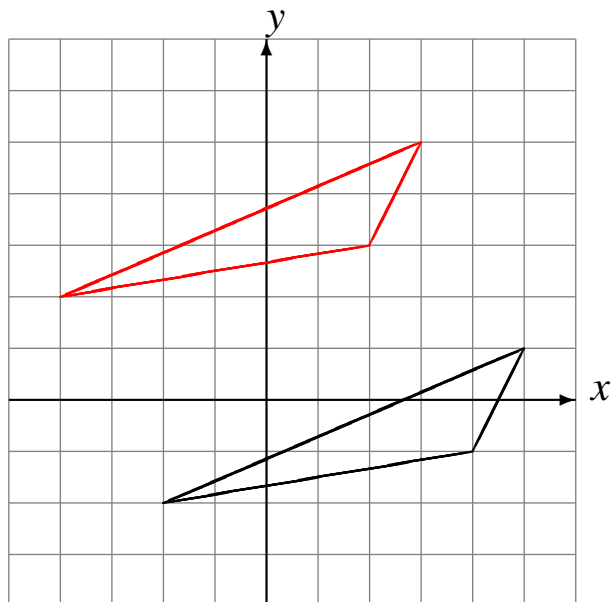
# Translations (E) Answers

Draw each translated image.

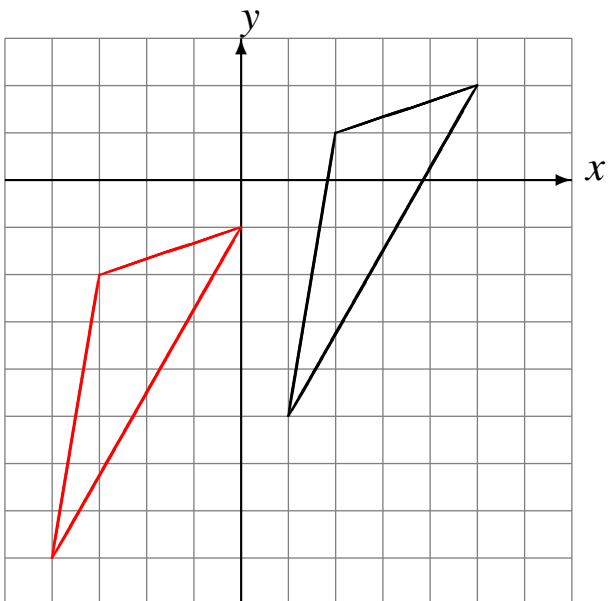
Translate by  $(4, 6)$ .



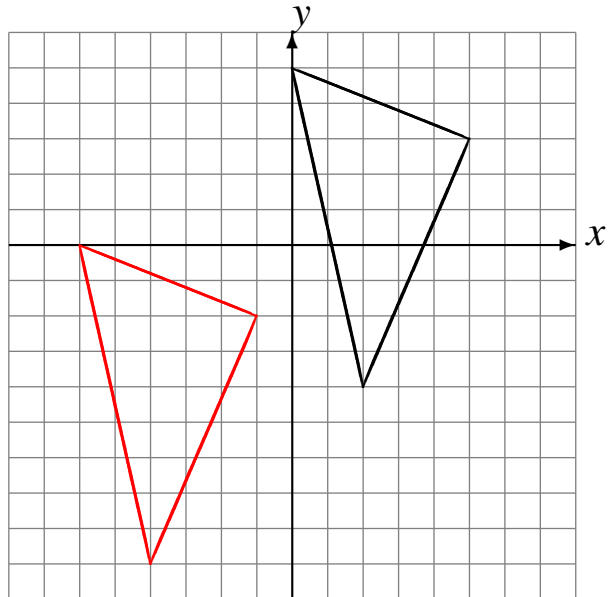
Translate by  $(-2, 4)$ .



Translate by  $(-5, -3)$ .



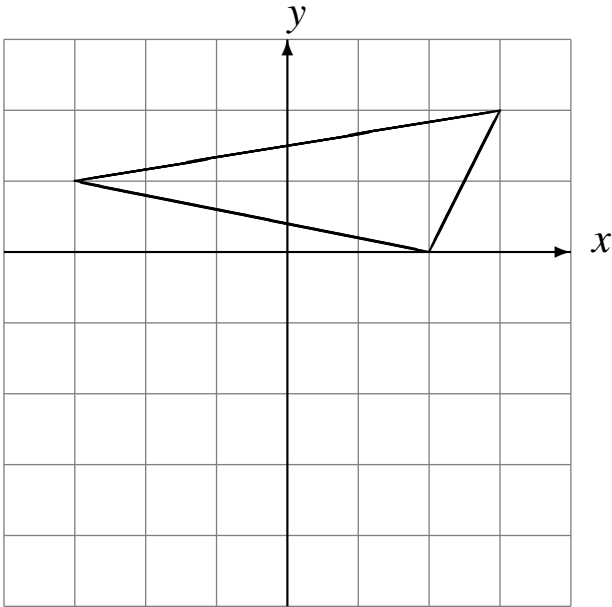
Translate by  $(-6, -5)$ .



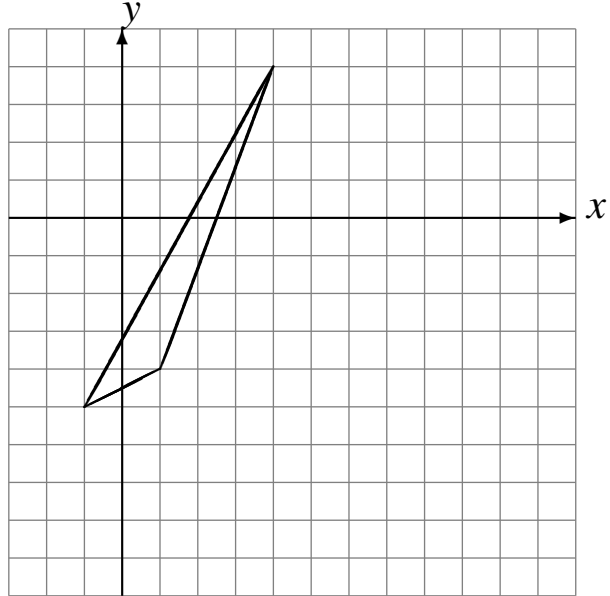
# Translations (F)

Draw each translated image.

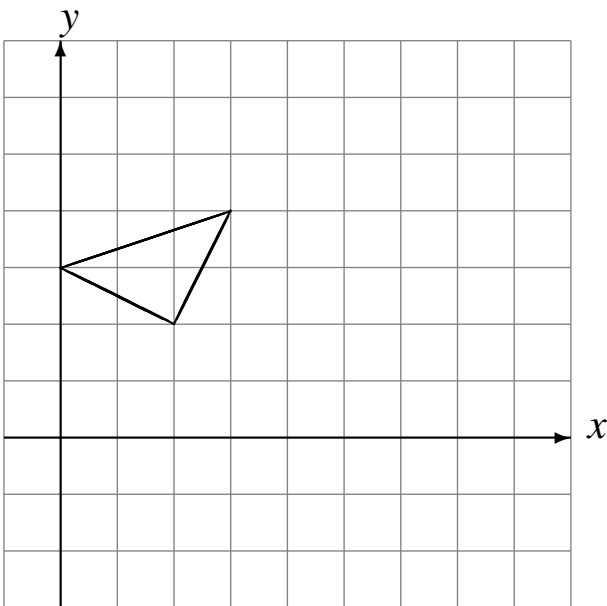
Translate by  $(0, -4)$ .



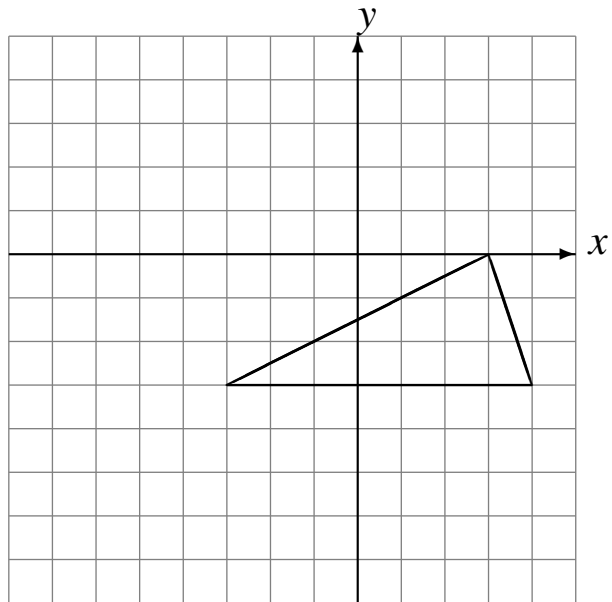
Translate by  $(5, -4)$ .



Translate by  $(5, -2)$ .



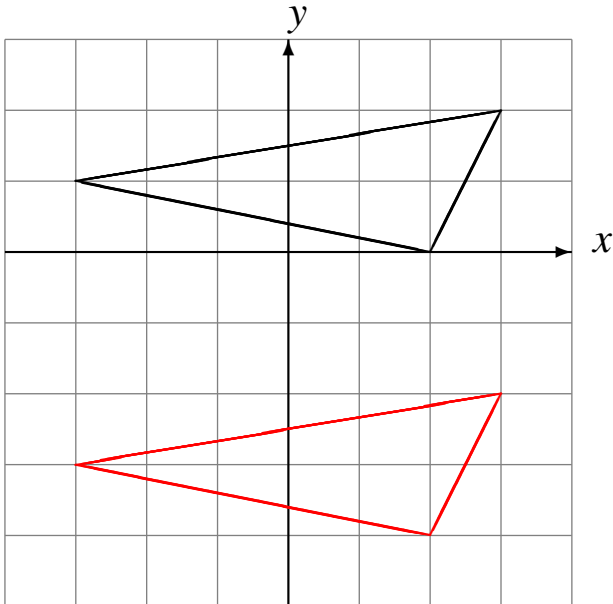
Translate by  $(-4, -1)$ .



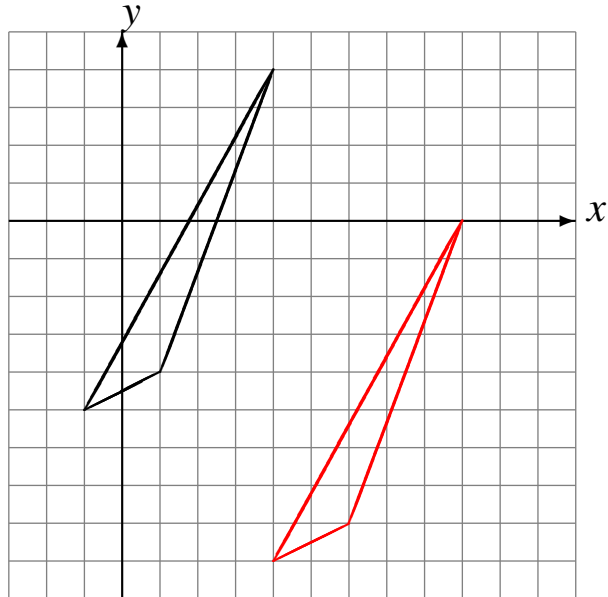
# Translations (F) Answers

Draw each translated image.

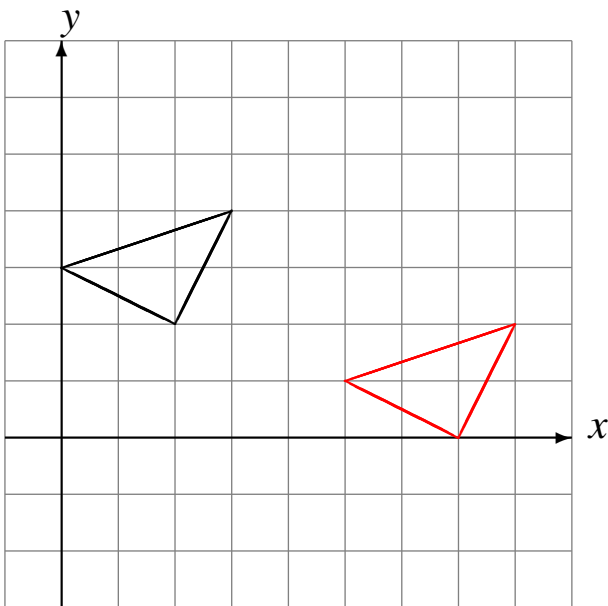
Translate by  $(0, -4)$ .



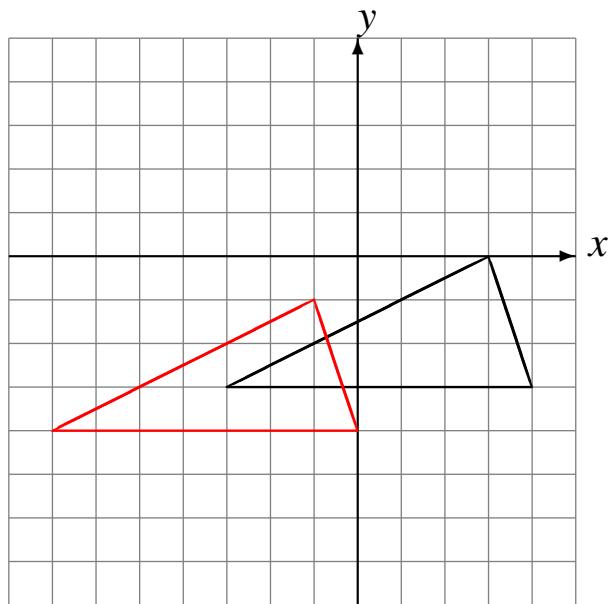
Translate by  $(5, -4)$ .



Translate by  $(5, -2)$ .



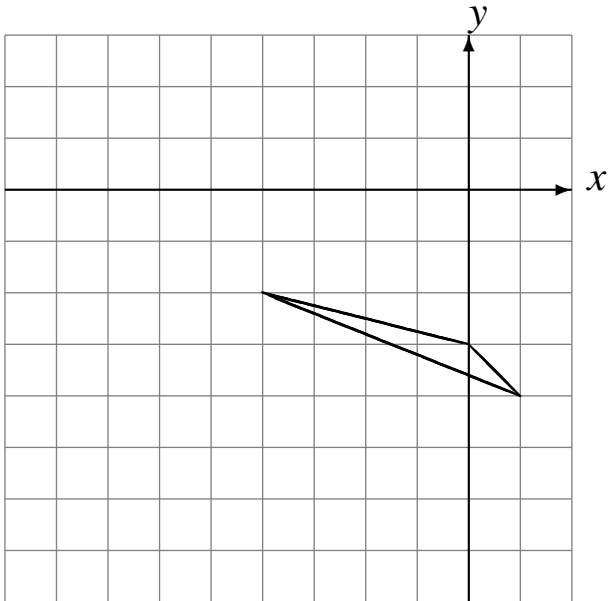
Translate by  $(-4, -1)$ .



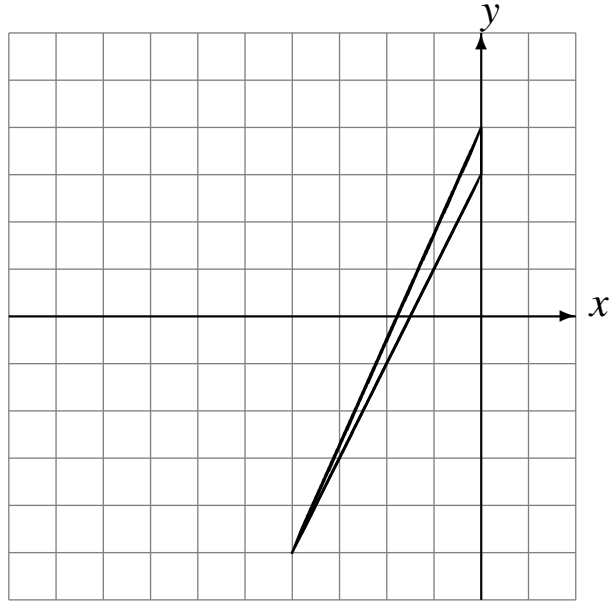
# Translations (G)

Draw each translated image.

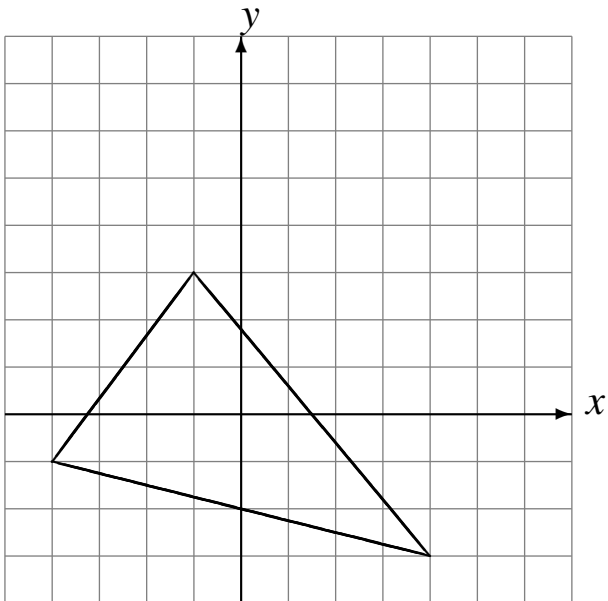
Translate by  $(-4, -2)$ .



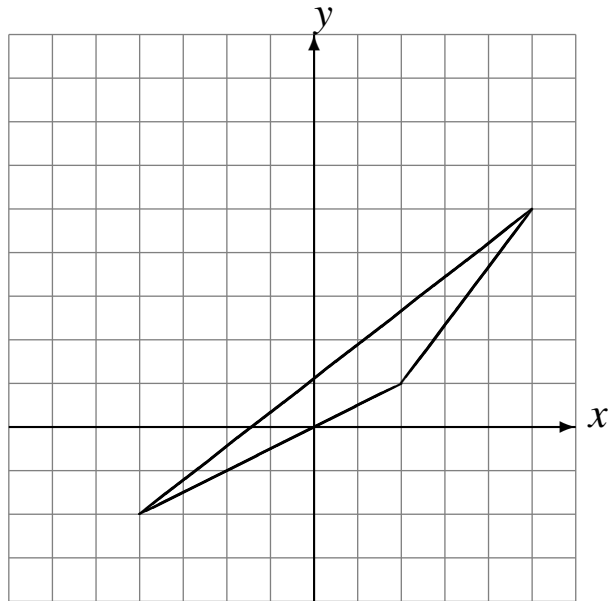
Translate by  $(-5, 1)$ .



Translate by  $(2, 4)$ .



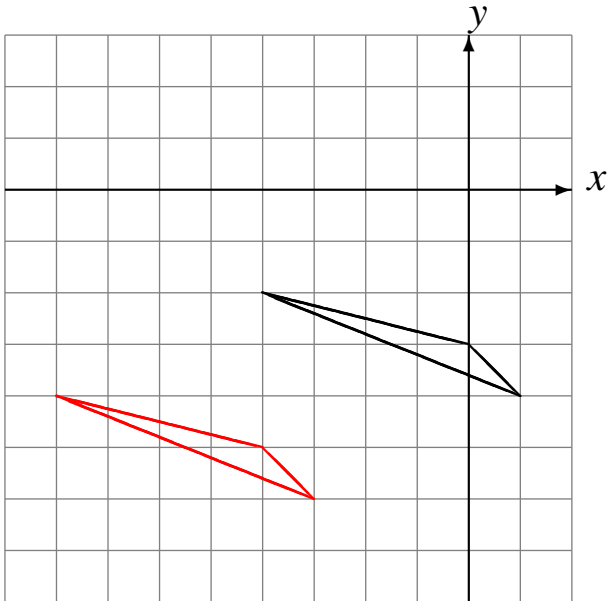
Translate by  $(-2, 1)$ .



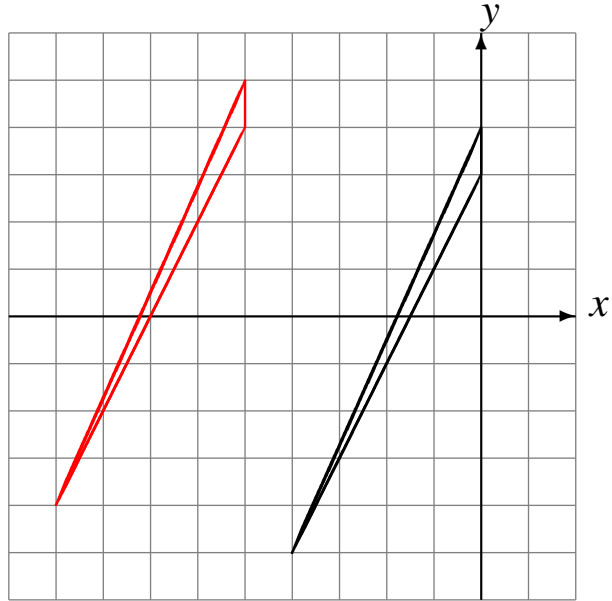
# Translations (G) Answers

Draw each translated image.

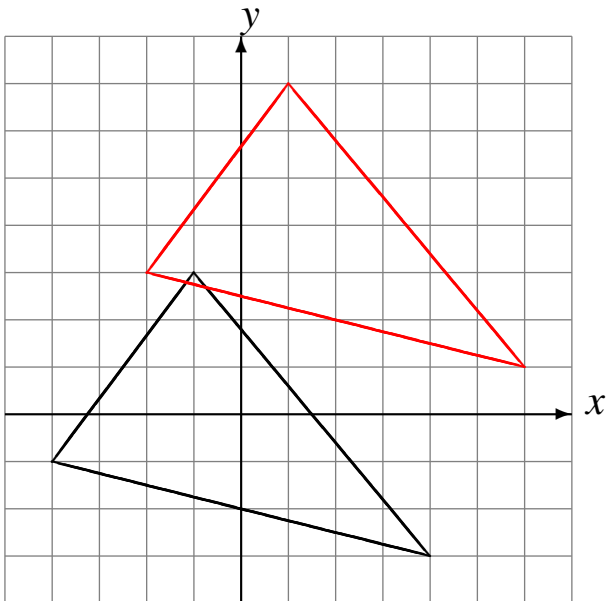
Translate by  $(-4, -2)$ .



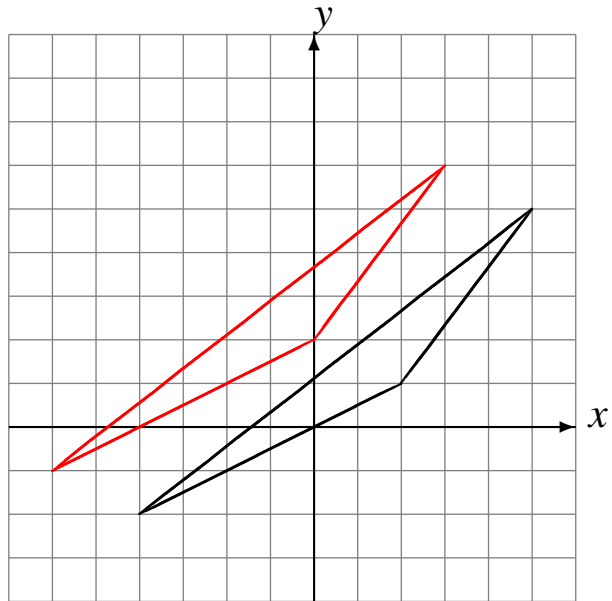
Translate by  $(-5, 1)$ .



Translate by  $(2, 4)$ .



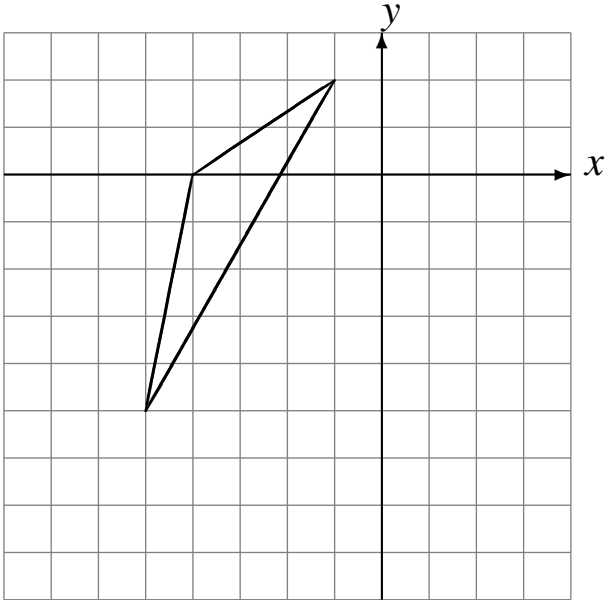
Translate by  $(-2, 1)$ .



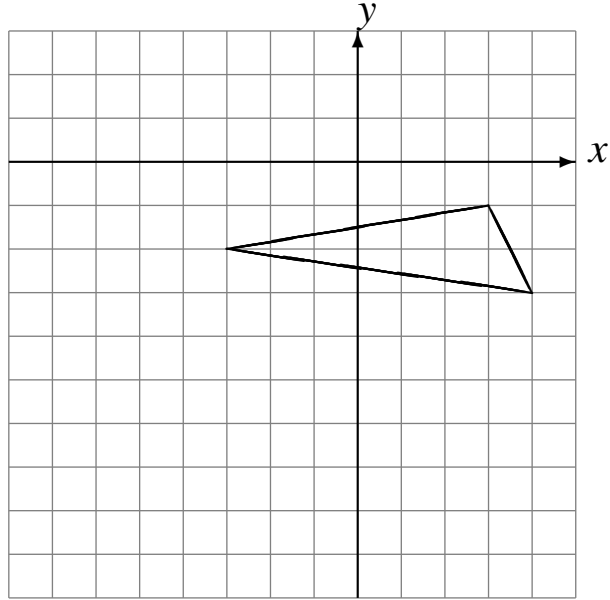
# Translations (H)

Draw each translated image.

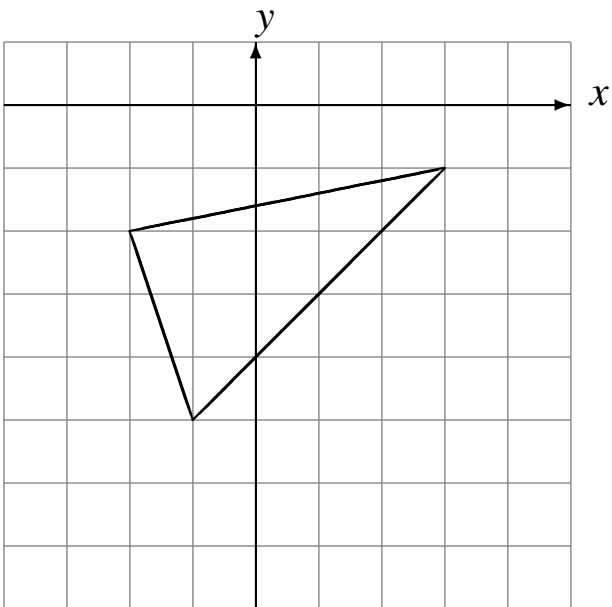
Translate by  $(1, -3)$ .



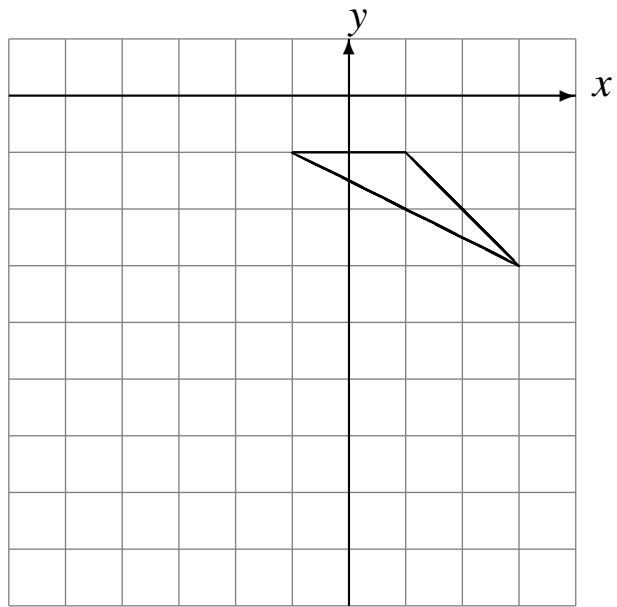
Translate by  $(-4, -4)$ .



Translate by  $(0, -2)$ .



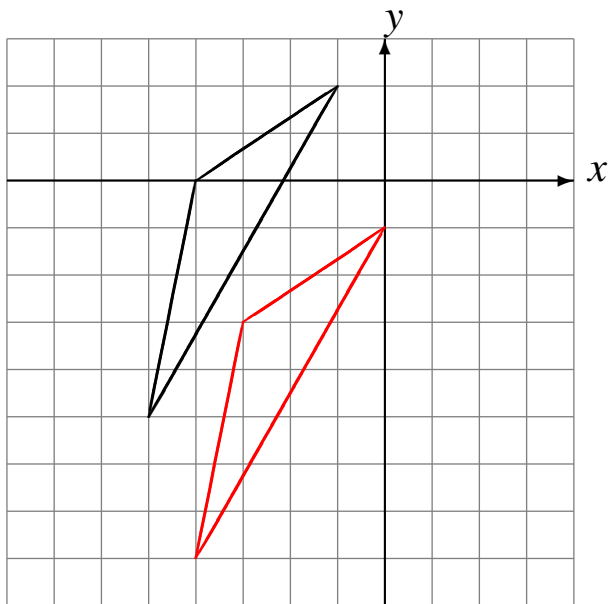
Translate by  $(-4, -5)$ .



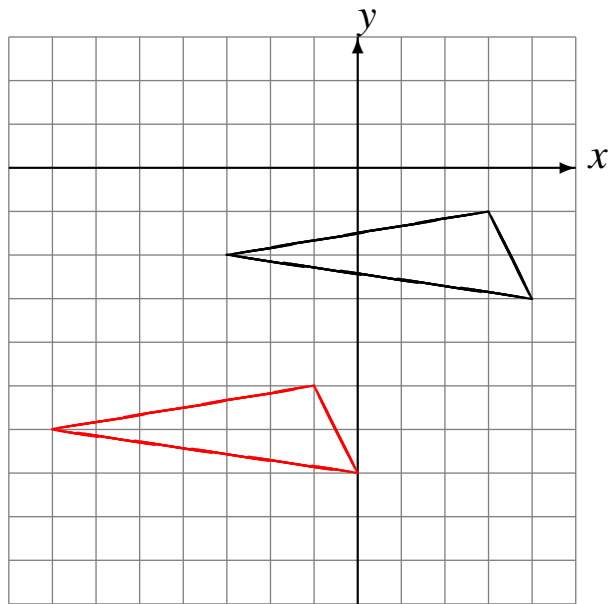
# Translations (H) Answers

Draw each translated image.

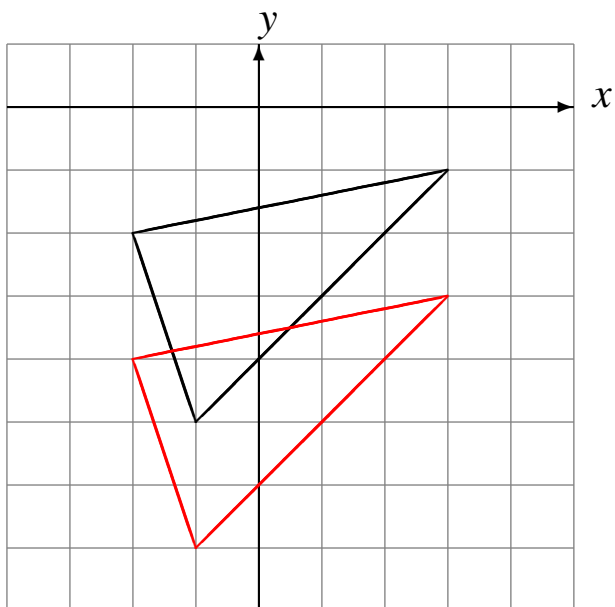
Translate by  $(1, -3)$ .



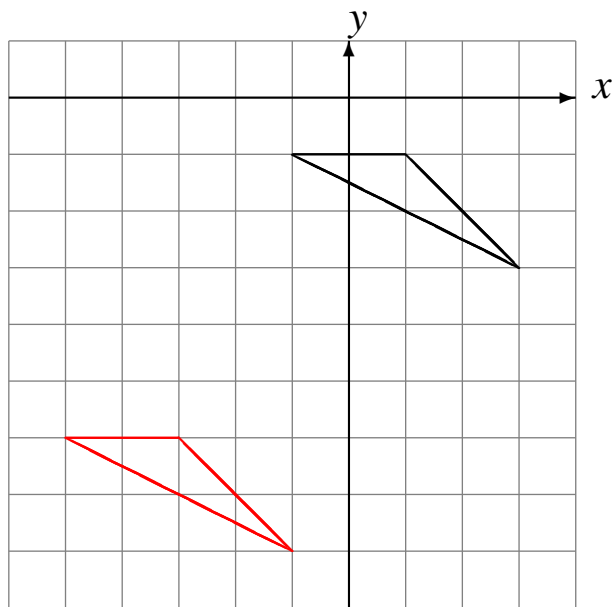
Translate by  $(-4, -4)$ .



Translate by  $(0, -2)$ .



Translate by  $(-4, -5)$ .

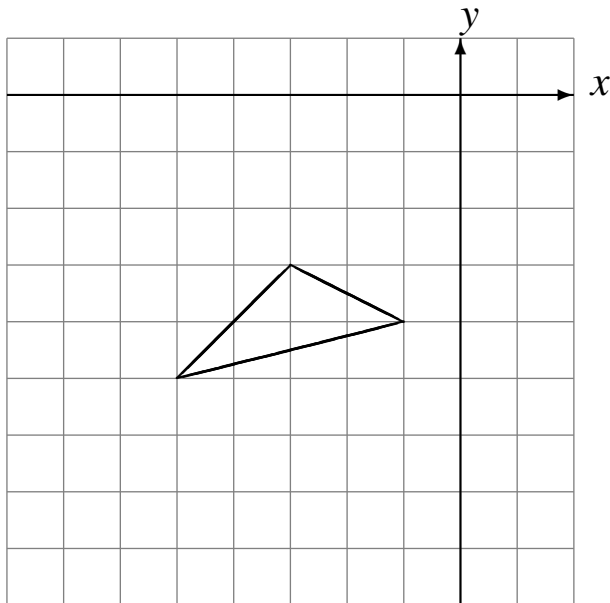




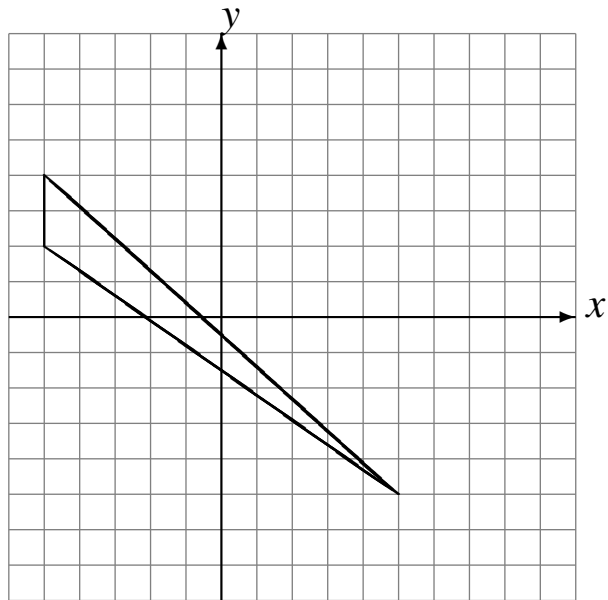
# Translations (I)

Draw each translated image.

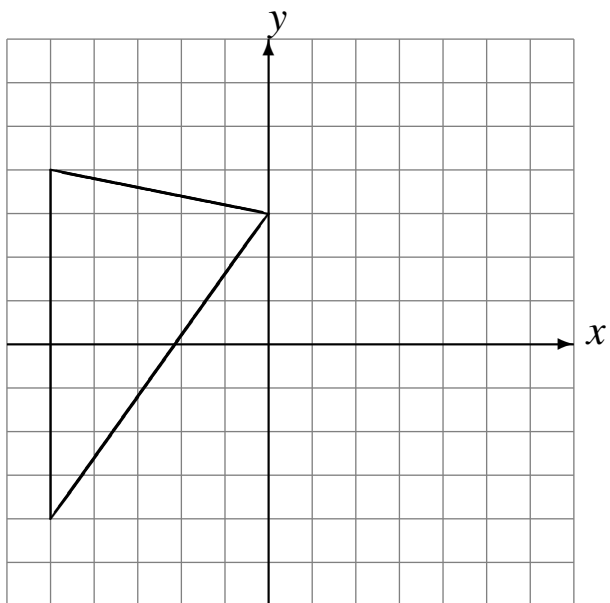
Translate by  $(-2, -3)$ .



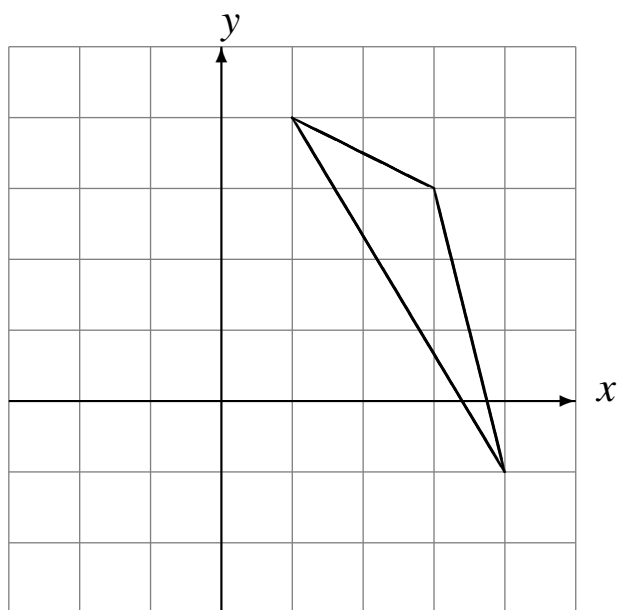
Translate by  $(4, 1)$ .



Translate by  $(6, 1)$ .



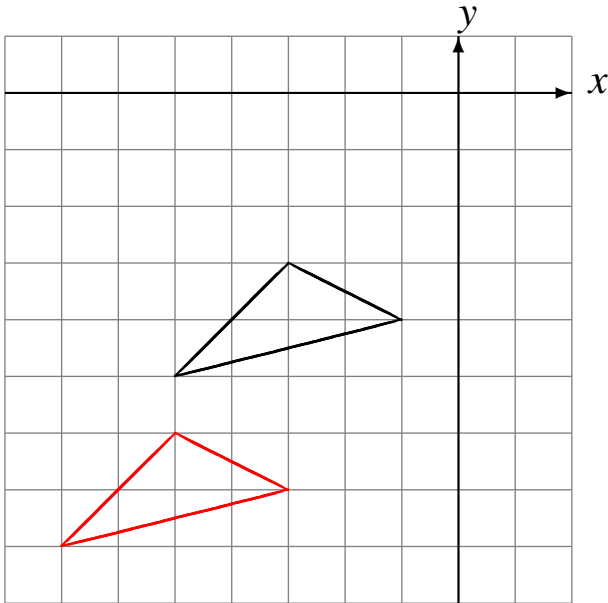
Translate by  $(-3, -1)$ .



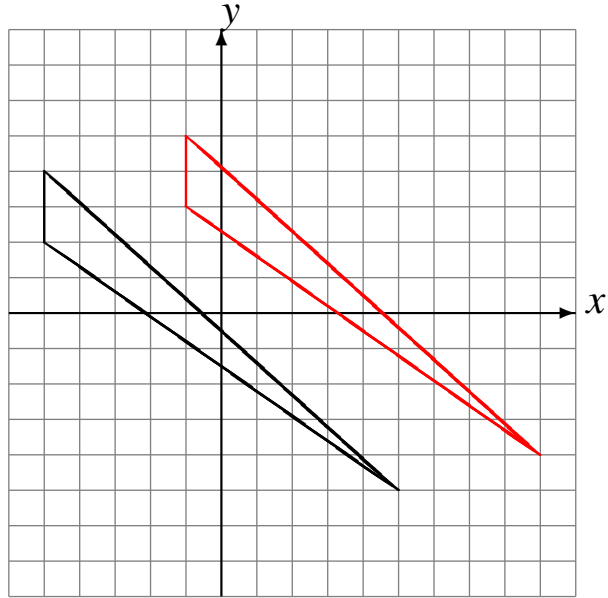
# Translations (I) Answers

Draw each translated image.

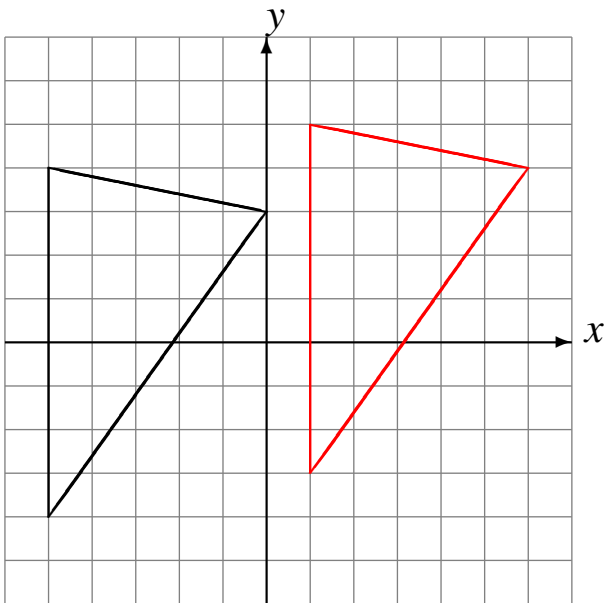
Translate by  $(-2, -3)$ .



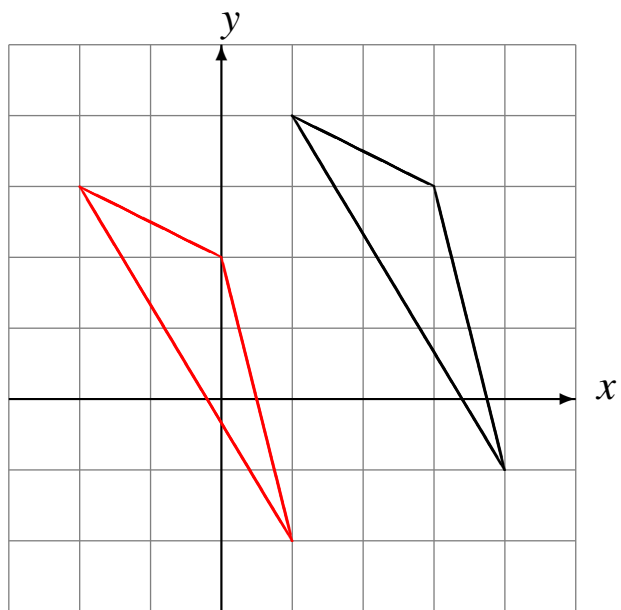
Translate by  $(4, 1)$ .



Translate by  $(6, 1)$ .



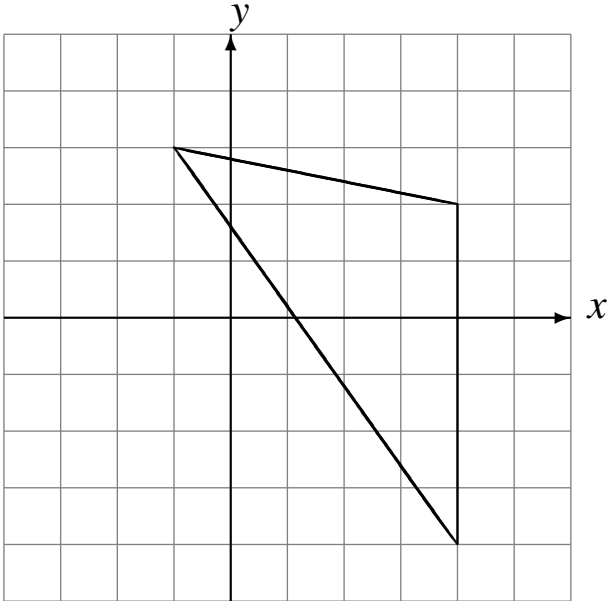
Translate by  $(-3, -1)$ .



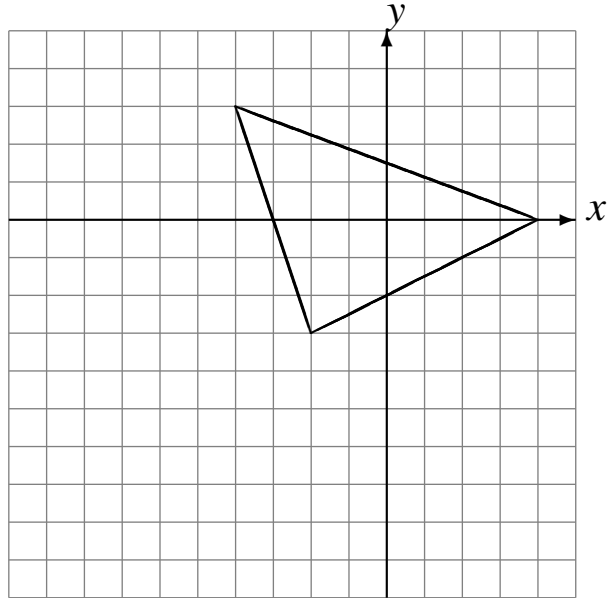
# Translations (J)

Draw each translated image.

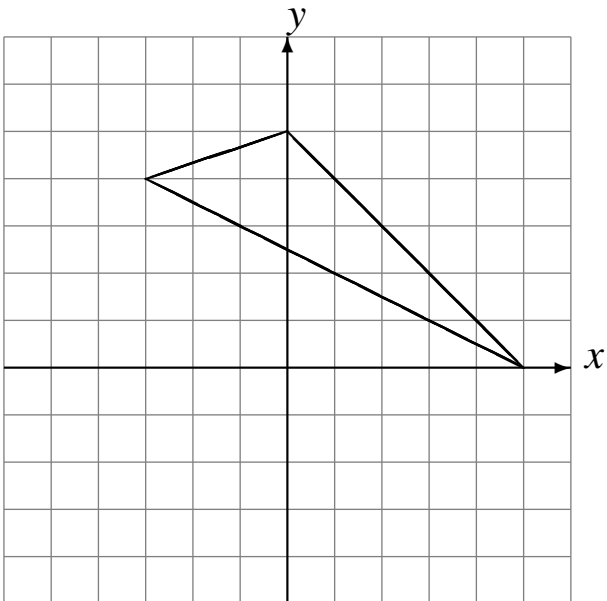
Translate by  $(-1, 1)$ .



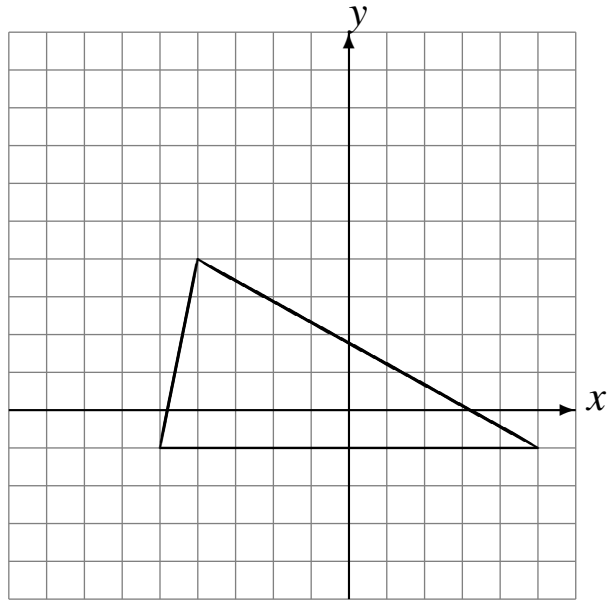
Translate by  $(-5, -6)$ .



Translate by  $(-2, -3)$ .



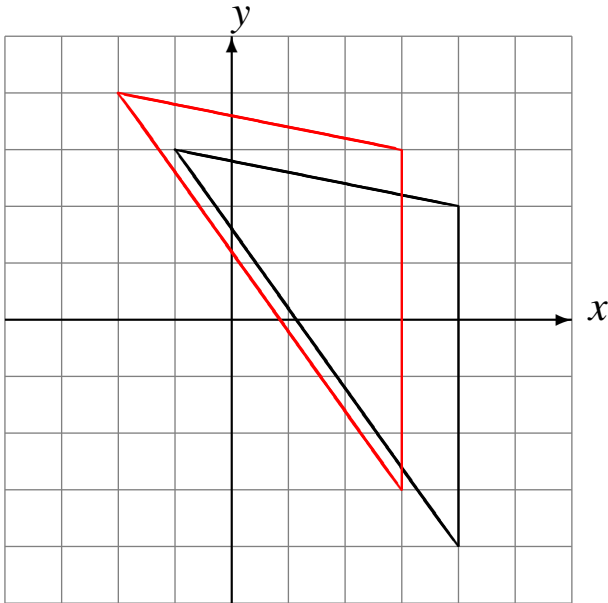
Translate by  $(-3, 1)$ .



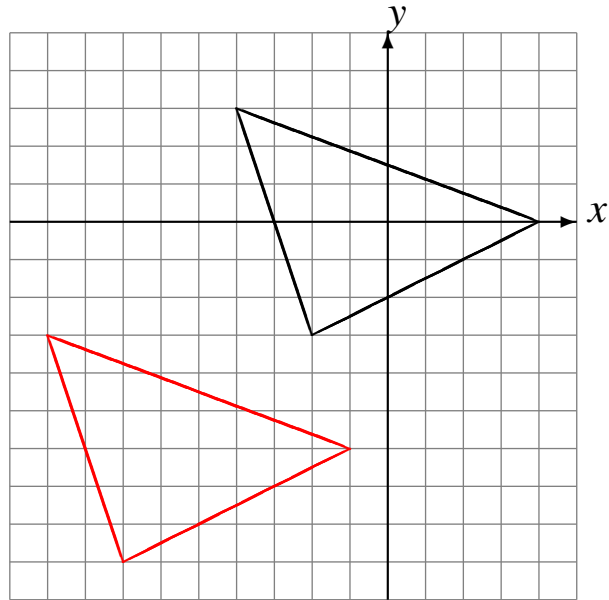
# Translations (J) Answers

Draw each translated image.

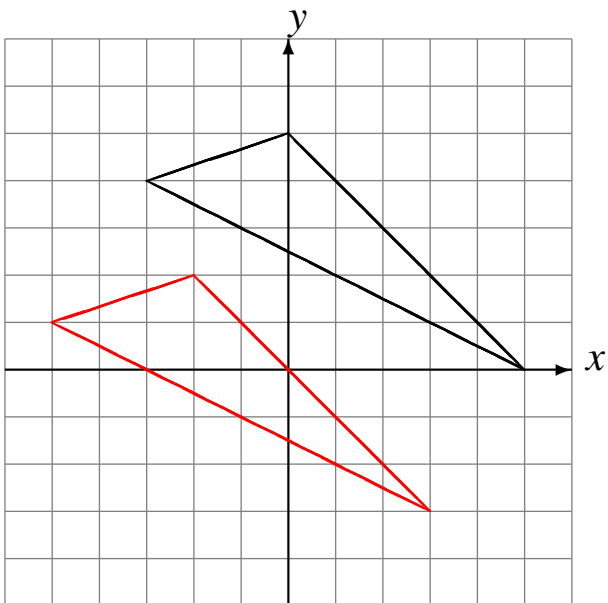
Translate by  $(-1, 1)$ .



Translate by  $(-5, -6)$ .



Translate by  $(-2, -3)$ .



Translate by  $(-3, 1)$ .

