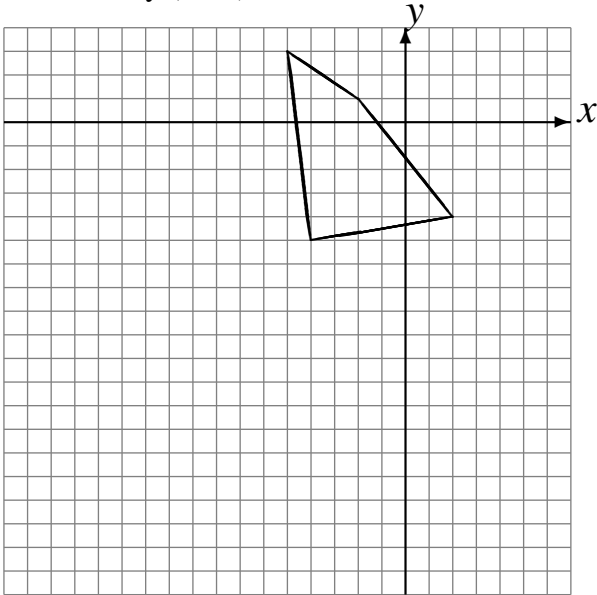


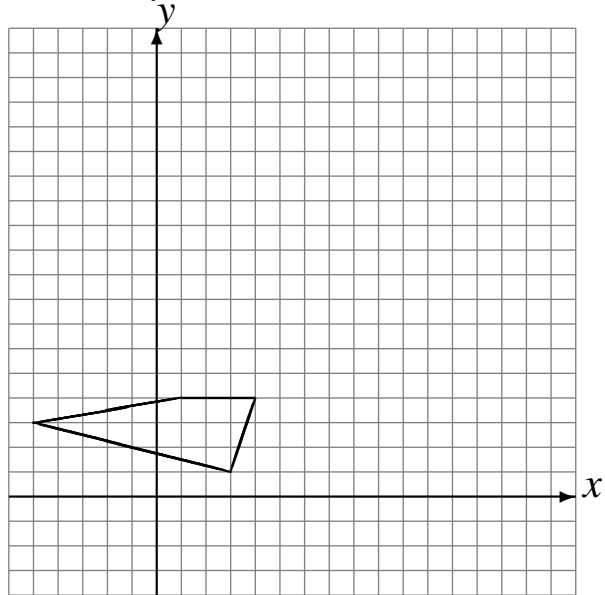
# Translations (C)

Draw the intermediate and translated images.

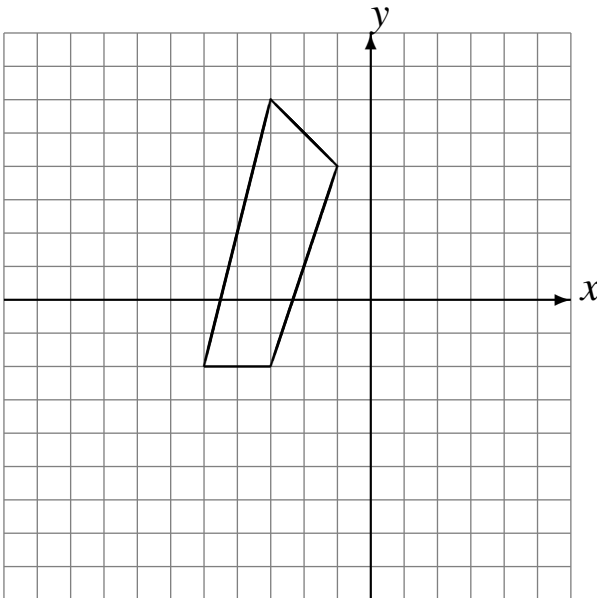
Translate by  $(-2, -6)$ .  
Translate by  $(-5, -2)$ .  
Translate by  $(3, -6)$ .



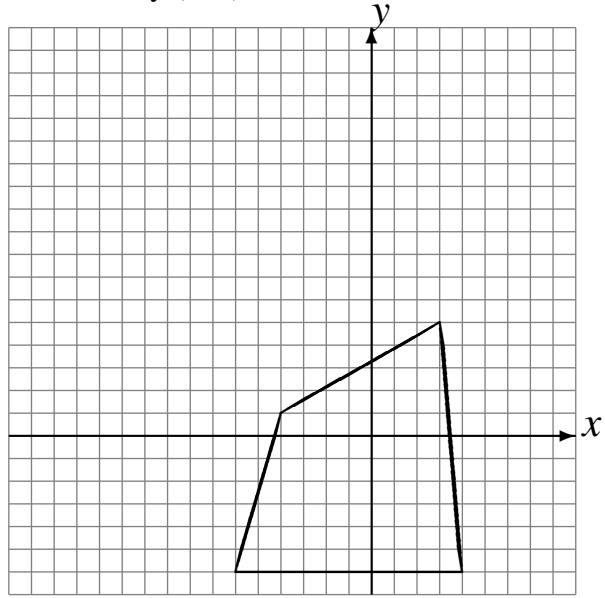
Translate by  $(5, 3)$ .  
Translate by  $(2, 6)$ .  
Translate by  $(5, 1)$ .



Translate by  $(3, -6)$ .  
Translate by  $(-5, 2)$ .  
Translate by  $(0, 5)$ .



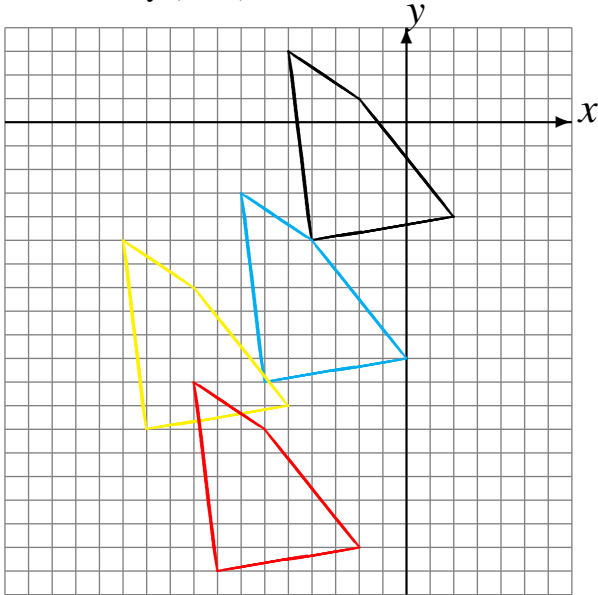
Translate by  $(-6, 5)$ .  
Translate by  $(0, 3)$ .  
Translate by  $(3, 4)$ .



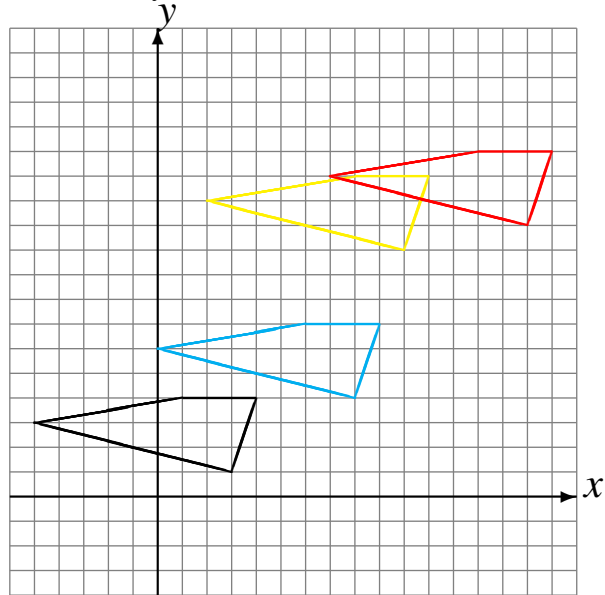
# Translations (C) Answers

Draw the intermediate and translated images.

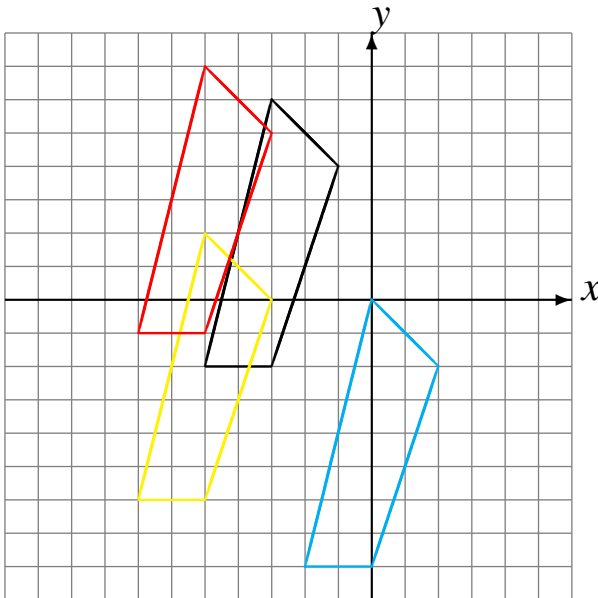
Translate by  $(-2, -6)$ .  
 Translate by  $(-5, -2)$ .  
 Translate by  $(3, -6)$ .



Translate by  $(5, 3)$ .  
 Translate by  $(2, 6)$ .  
 Translate by  $(5, 1)$ .



Translate by  $(3, -6)$ .  
 Translate by  $(-5, 2)$ .  
 Translate by  $(0, 5)$ .



Translate by  $(-6, 5)$ .  
 Translate by  $(0, 3)$ .  
 Translate by  $(3, 4)$ .

