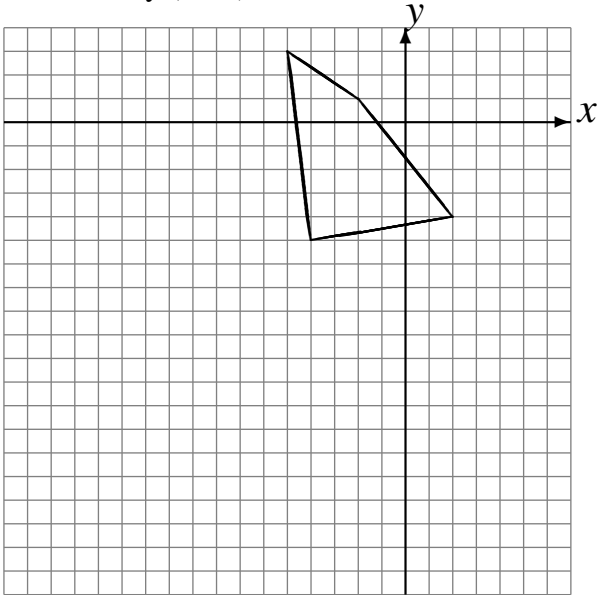


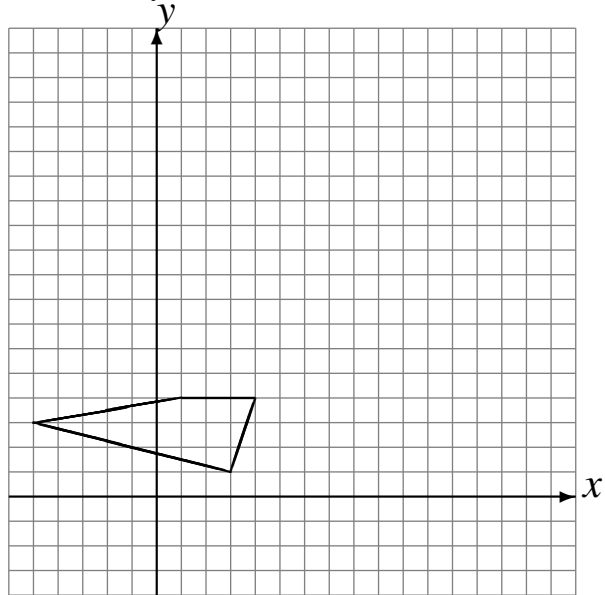
Translations (C)

Draw the intermediate and translated images.

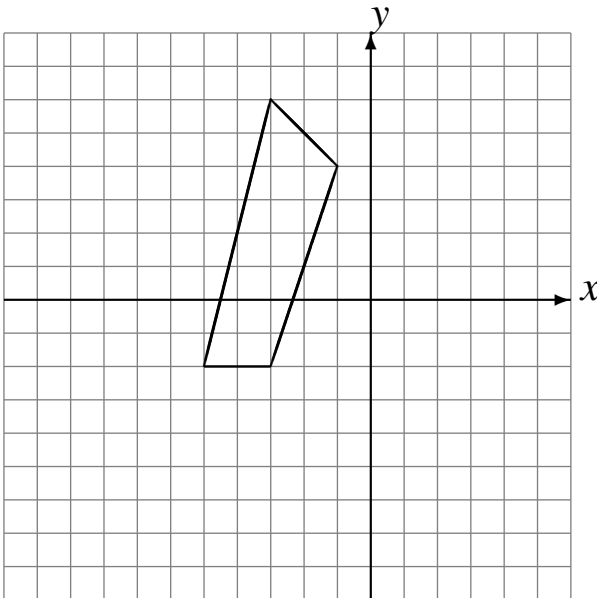
Translate by $(-2, -6)$.
Translate by $(-5, -2)$.
Translate by $(3, -6)$.



Translate by $(5, 3)$.
Translate by $(2, 6)$.
Translate by $(5, 1)$.



Translate by $(3, -6)$.
Translate by $(-5, 2)$.
Translate by $(0, 5)$.



Translate by $(-6, 5)$.
Translate by $(0, 3)$.
Translate by $(3, 4)$.

