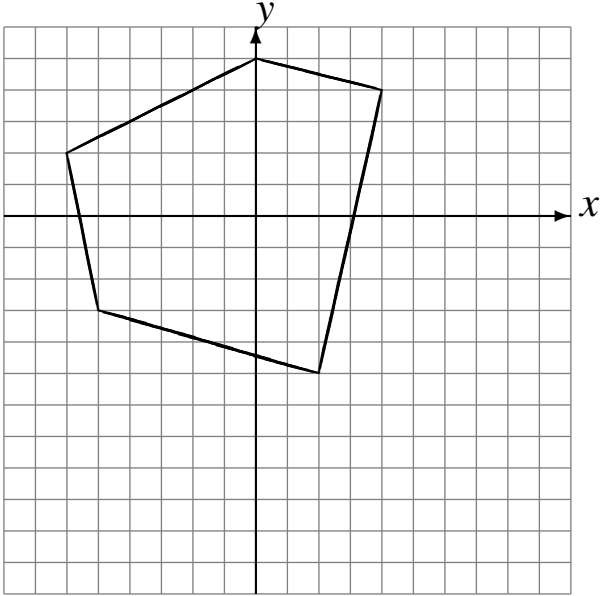


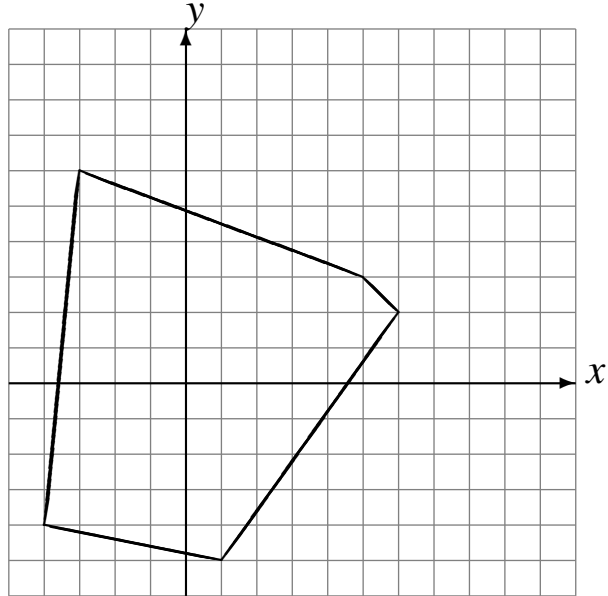
Translations (B)

Draw each translated image.

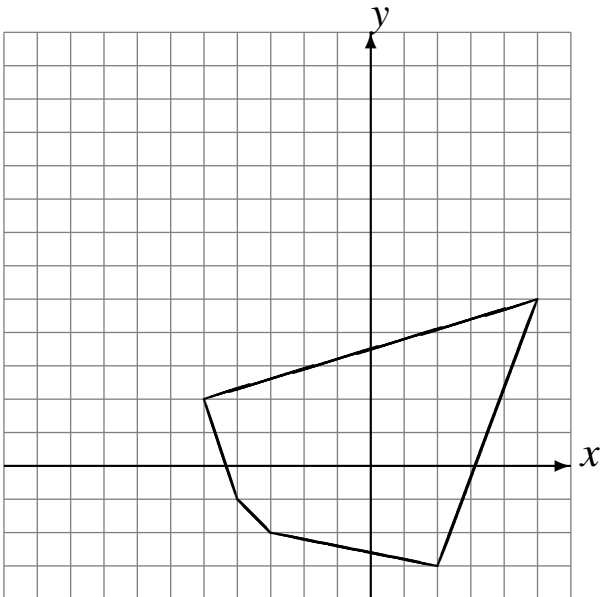
Translate by $(4, -6)$.



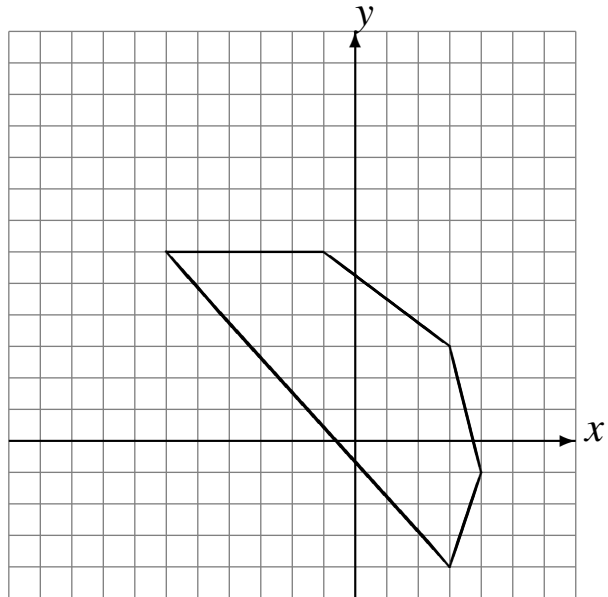
Translate by $(4, 3)$.



Translate by $(-5, 6)$.



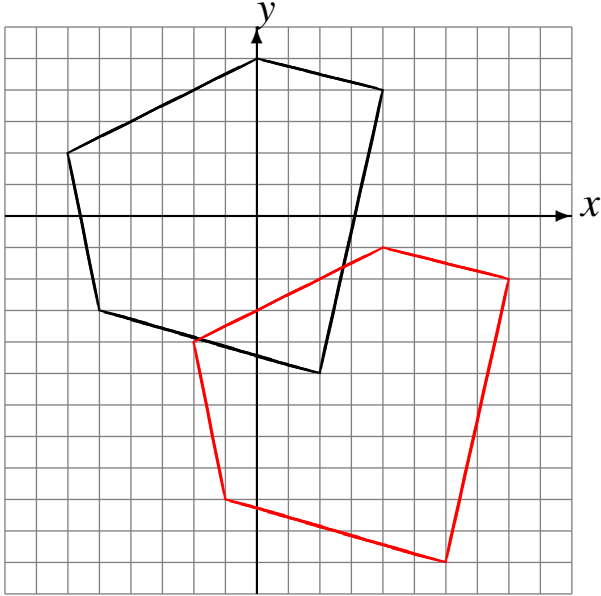
Translate by $(-2, 6)$.



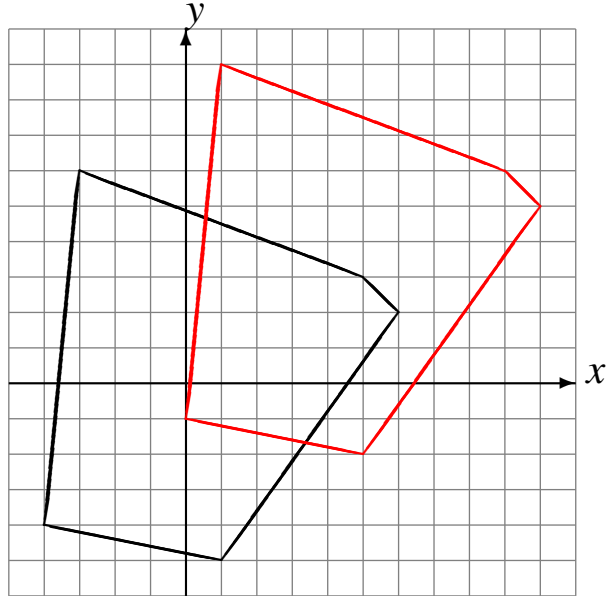
Translations (B) Answers

Draw each translated image.

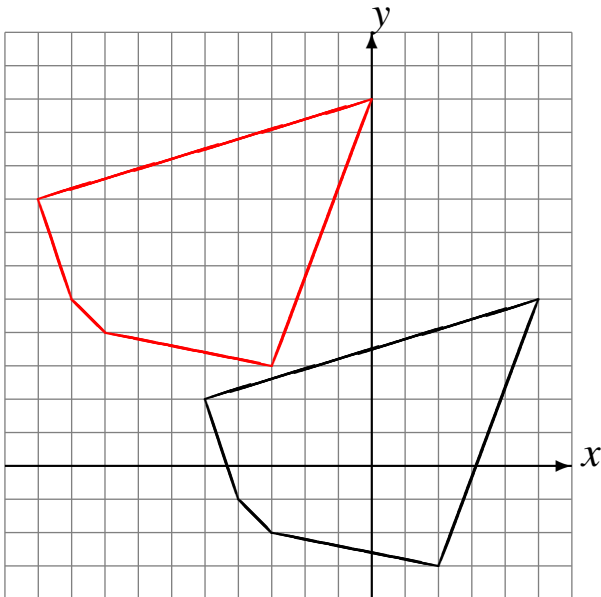
Translate by $(4, -6)$.



Translate by $(4, 3)$.



Translate by $(-5, 6)$.



Translate by $(-2, 6)$.

