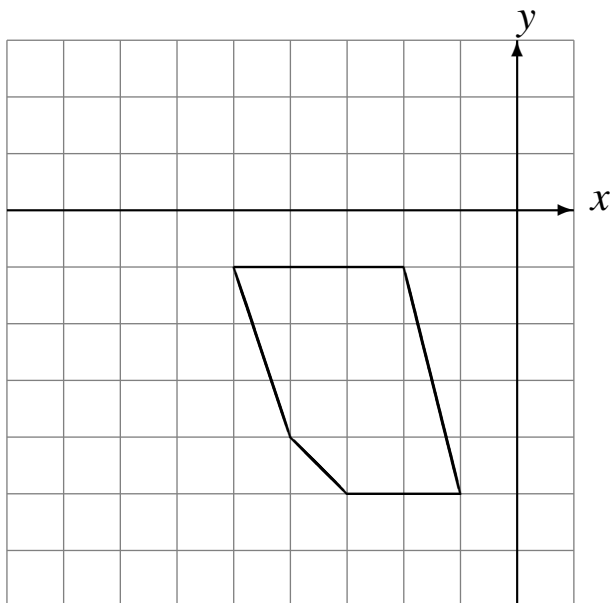


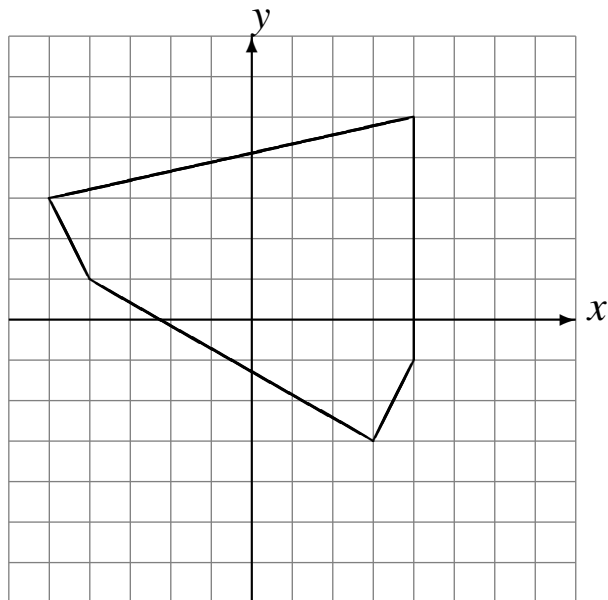
Translations (I)

Draw each translated image.

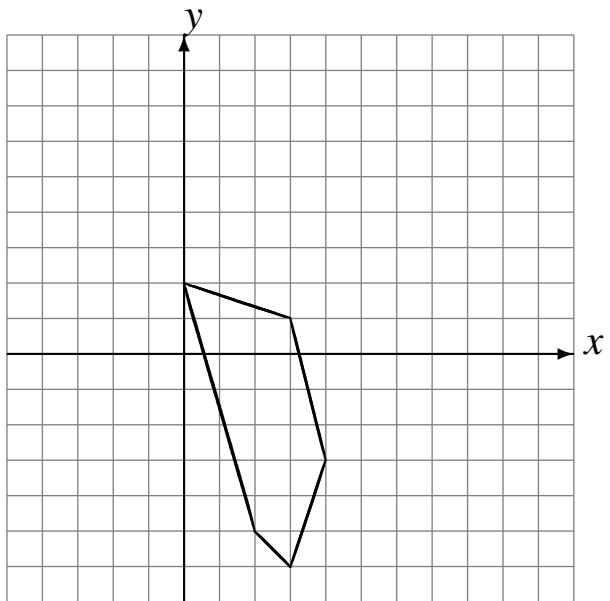
Translate by $(-3, 1)$.



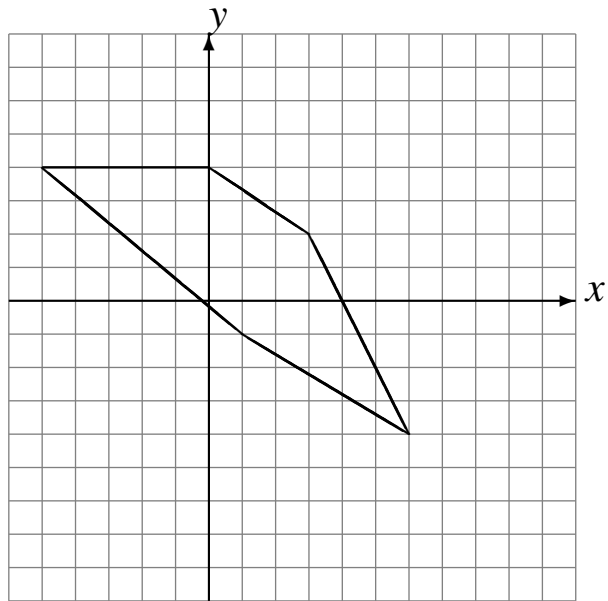
Translate by $(3, -2)$.



Translate by $(1, 6)$.



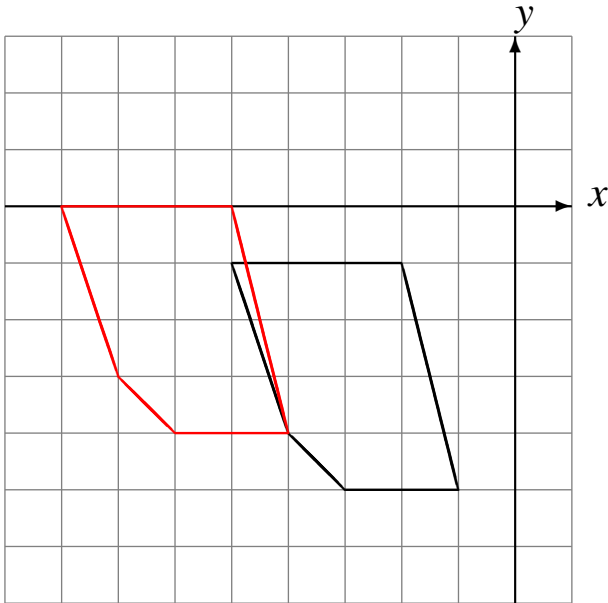
Translate by $(4, -1)$.



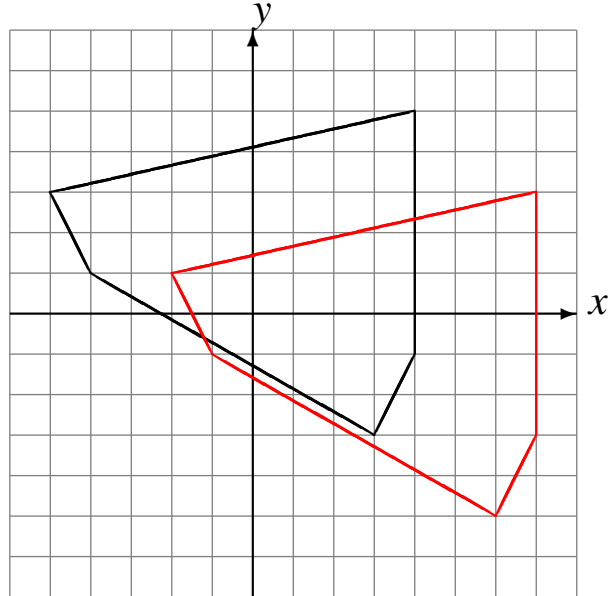
Translations (I) Answers

Draw each translated image.

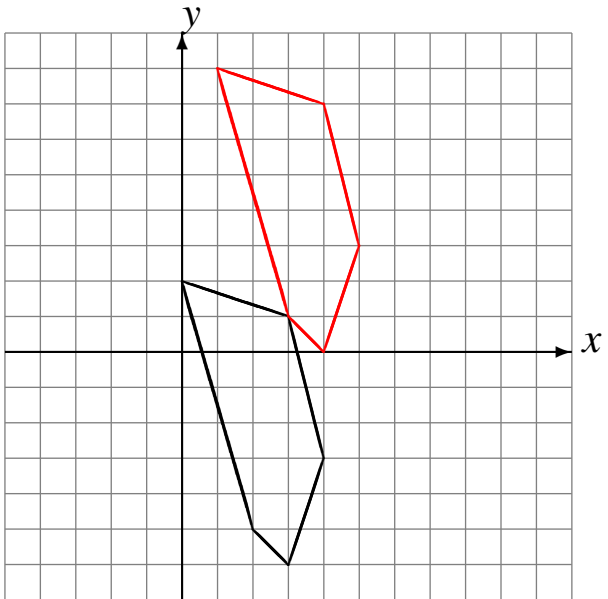
Translate by $(-3, 1)$.



Translate by $(3, -2)$.



Translate by $(1, 6)$.



Translate by $(4, -1)$.

