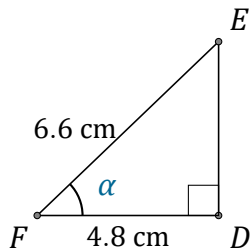


Cosine Ratio (J)

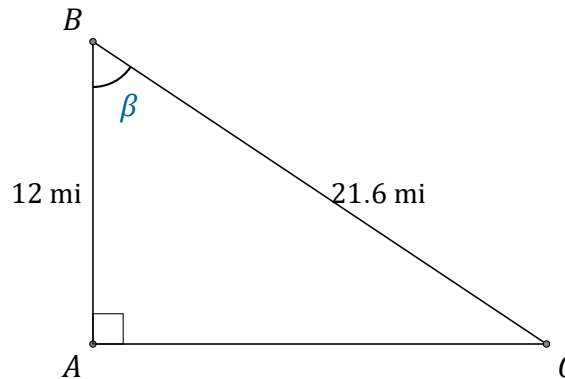
Name: _____

Date: _____

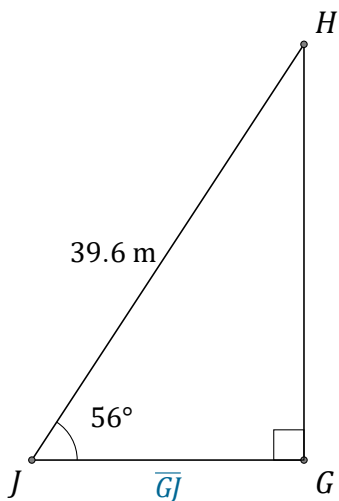
Calculate the angle and side values using the cosine ratio: $\cos(\alpha) = \frac{A}{H}$



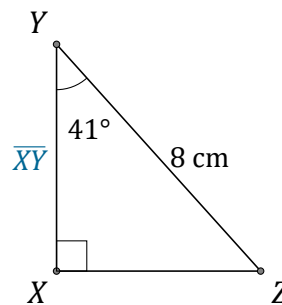
$\alpha = \angle DFE =$ _____



$\beta = \angle ABC =$ _____



$\overline{GJ} =$ _____



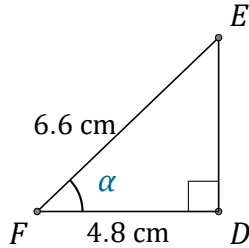
$\overline{XY} =$ _____

Cosine Ratio (J) Answers

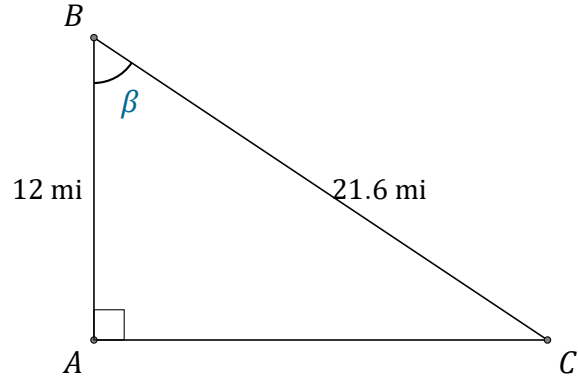
Name: _____

Date: _____

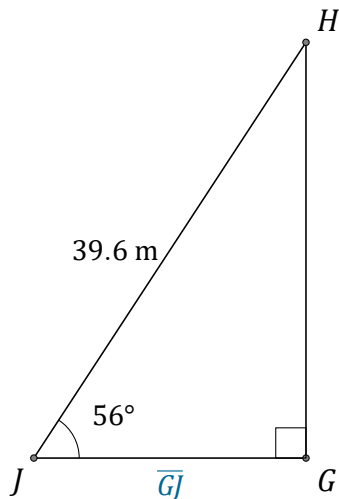
Calculate the angle and side values using the cosine ratio: $\cos(\alpha) = \frac{A}{H}$



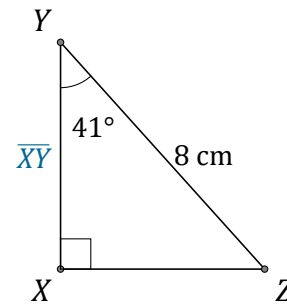
$$\alpha = \angle DFE = \underline{43.3^\circ}$$



$$\beta = \angle ABC = \underline{56.3^\circ}$$



$$\overline{GJ} = \underline{22.1 \text{ m}}$$



$$\overline{XY} = \underline{6 \text{ cm}}$$