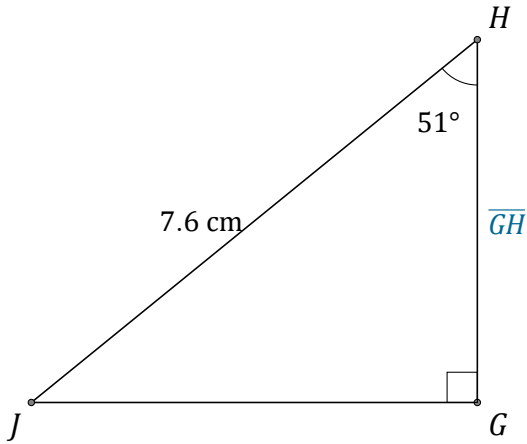


Cosine Ratio (A)

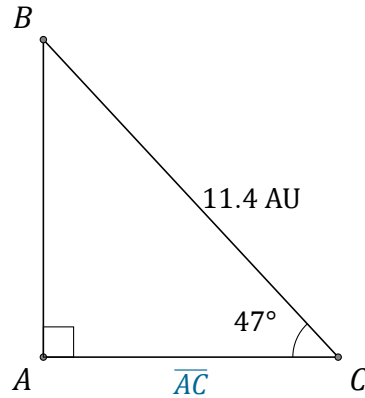
Name: _____

Date: _____

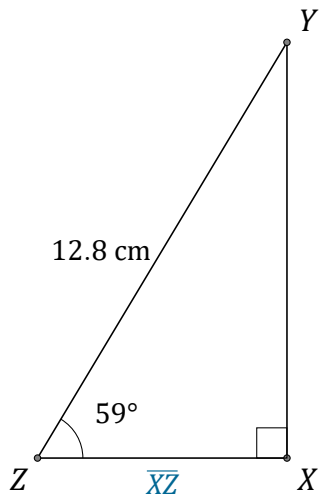
Calculate the side values using the cosine ratio: $\cos(\alpha) = \frac{A}{H}$



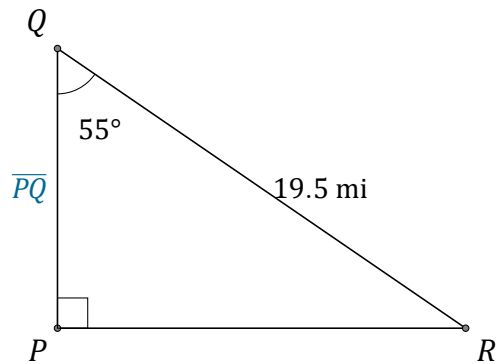
$$\overline{GH} = \underline{\hspace{2cm}}$$



$$\overline{AC} = \underline{\hspace{2cm}}$$



$$\overline{XZ} = \underline{\hspace{2cm}}$$



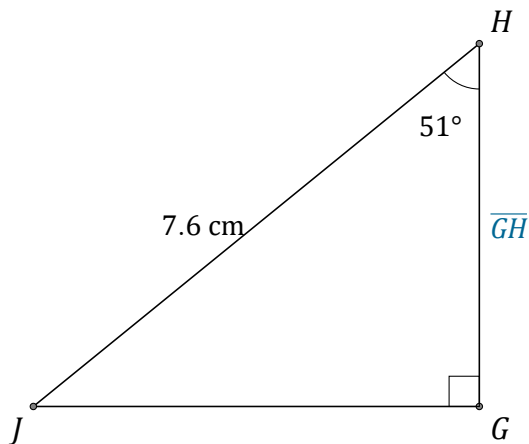
$$\overline{PQ} = \underline{\hspace{2cm}}$$

Cosine Ratio (A) Answers

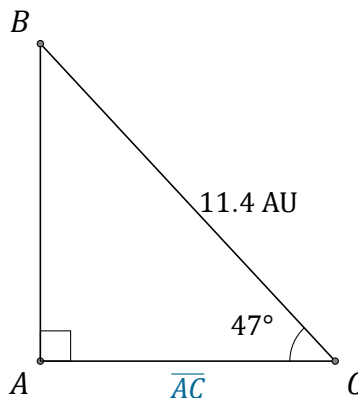
Name: _____

Date: _____

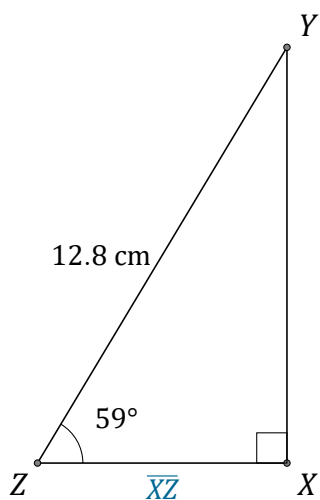
Calculate the side values using the cosine ratio: $\cos(\alpha) = \frac{A}{H}$



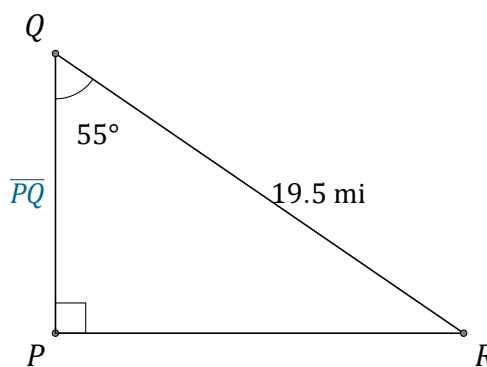
$$\overline{GH} = \underline{4.8 \text{ cm}}$$



$$\overline{AC} = \underline{7.8 \text{ AU}}$$



$$\overline{XZ} = \underline{6.6 \text{ cm}}$$



$$\overline{PQ} = \underline{11.2 \text{ mi}}$$