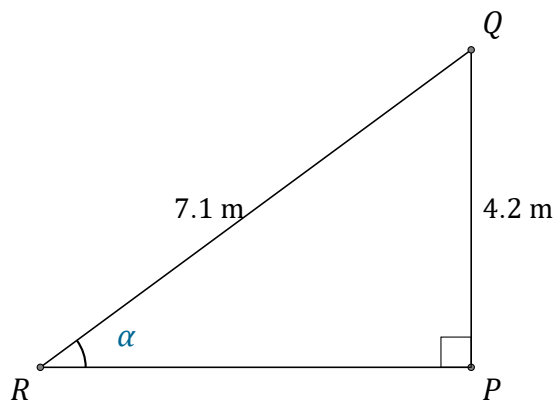


Sine Ratio (C)

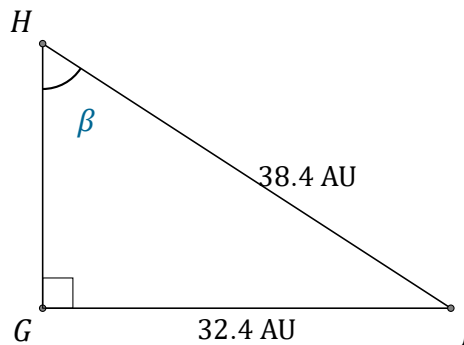
Name: _____

Date: _____

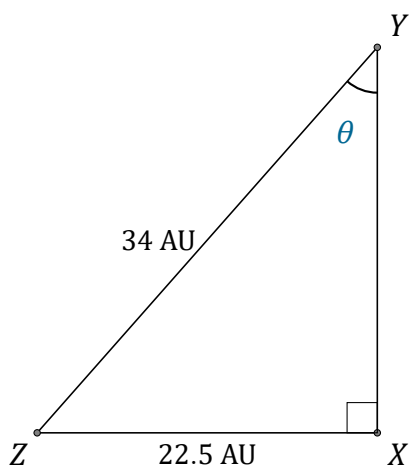
Calculate the angle values using the sine ratio: $\sin(\alpha) = \frac{O}{H}$



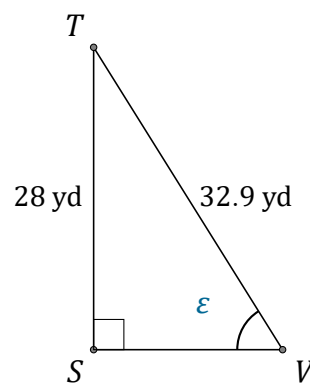
$\alpha = \angle PRQ = \underline{\hspace{2cm}}$



$\beta = \angle GHJ = \underline{\hspace{2cm}}$



$\theta = \angle XYZ = \underline{\hspace{2cm}}$



$\epsilon = \angle SVT = \underline{\hspace{2cm}}$