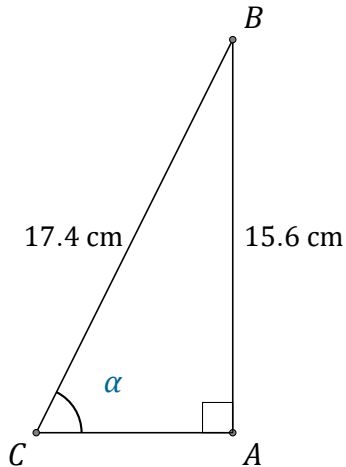


Sine Ratio (J)

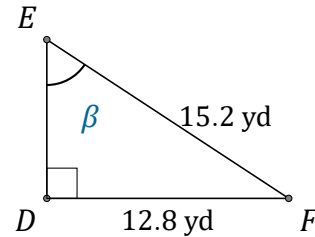
Name: _____

Date: _____

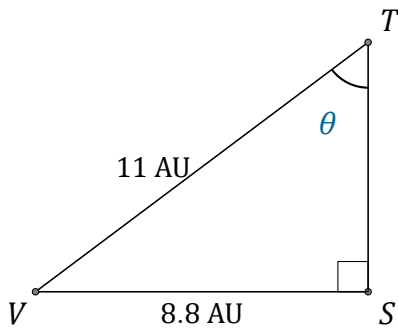
Calculate the angle values using the sine ratio: $\sin(\alpha) = \frac{O}{H}$



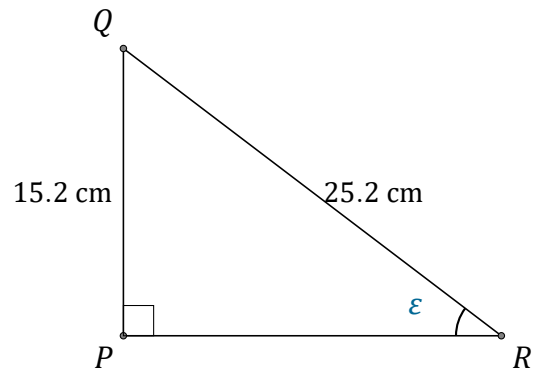
$$\alpha = \angle ACB = \underline{\hspace{2cm}}$$



$$\beta = \angle DEF = \underline{\hspace{2cm}}$$



$$\theta = \angle STV = \underline{\hspace{2cm}}$$



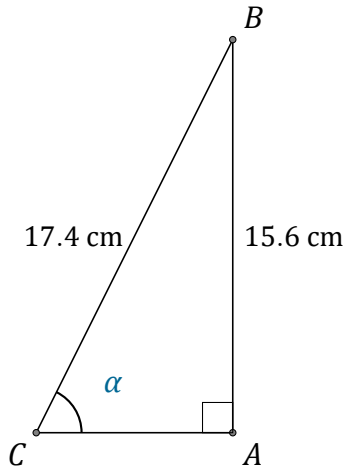
$$\epsilon = \angle PRQ = \underline{\hspace{2cm}}$$

Sine Ratio (J) Answers

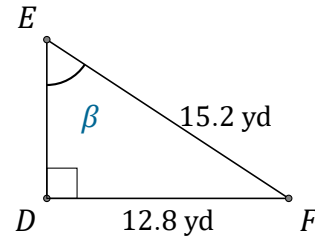
Name: _____

Date: _____

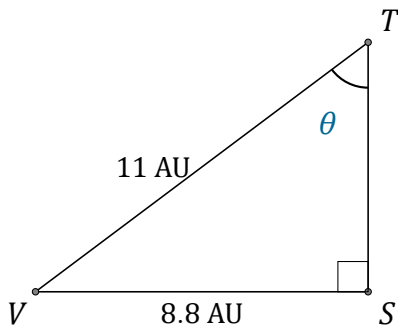
Calculate the angle values using the sine ratio: $\sin(\alpha) = \frac{O}{H}$



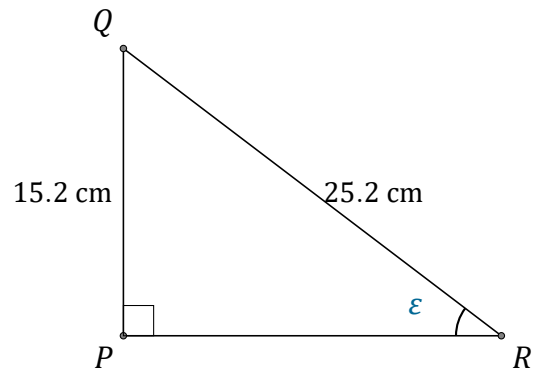
$$\alpha = \angle ACB = \underline{63.7^\circ}$$



$$\beta = \angle DEF = \underline{57.4^\circ}$$



$$\theta = \angle STV = \underline{53.1^\circ}$$



$$\epsilon = \angle PRQ = \underline{37.1^\circ}$$