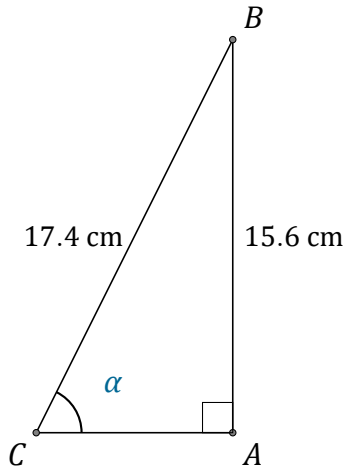


# Sine Ratio (J)

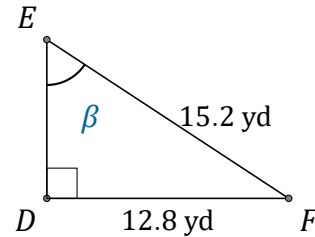
Name: \_\_\_\_\_

Date: \_\_\_\_\_

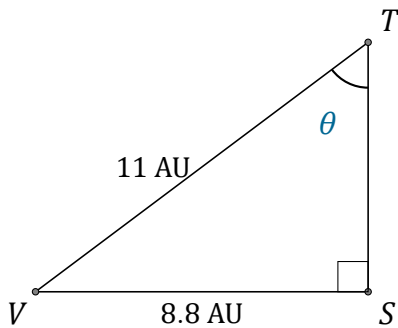
Calculate the angle values using the sine ratio:  $\sin(\alpha) = \frac{O}{H}$



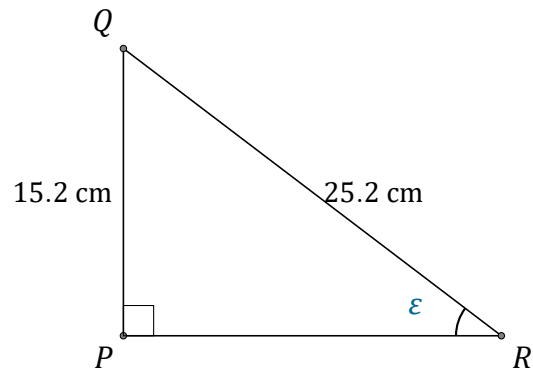
$$\alpha = \angle ACB = \underline{\hspace{2cm}}$$



$$\beta = \angle DEF = \underline{\hspace{2cm}}$$



$$\theta = \angle STV = \underline{\hspace{2cm}}$$



$$\epsilon = \angle PRQ = \underline{\hspace{2cm}}$$