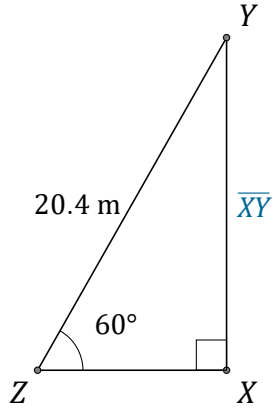


# Sine Ratio (A)

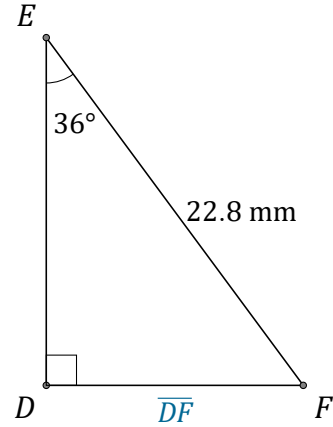
Name: \_\_\_\_\_

Date: \_\_\_\_\_

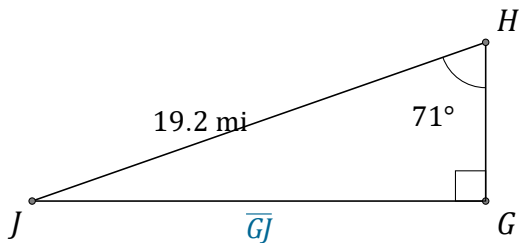
Calculate the side values using the sine ratio:  $\sin(\alpha) = \frac{O}{H}$



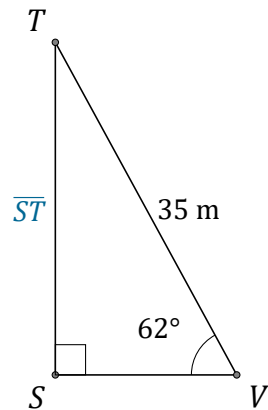
$$\overline{XY} = \underline{\hspace{2cm}}$$



$$\overline{DF} = \underline{\hspace{2cm}}$$



$$\overline{GJ} = \underline{\hspace{2cm}}$$



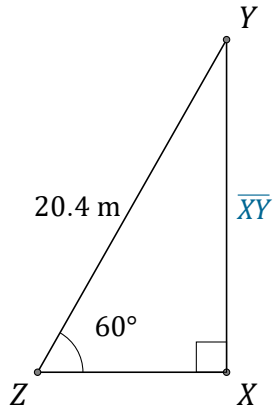
$$\overline{ST} = \underline{\hspace{2cm}}$$

# Sine Ratio (A) Answers

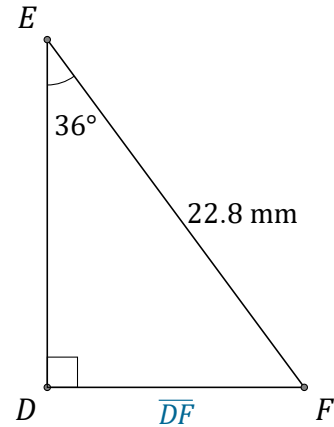
Name: \_\_\_\_\_

Date: \_\_\_\_\_

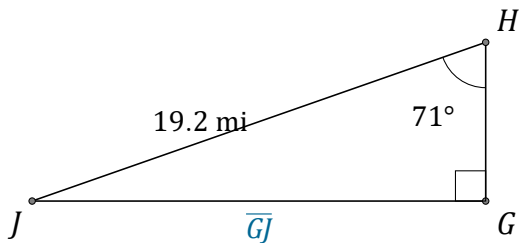
Calculate the side values using the sine ratio:  $\sin(\alpha) = \frac{O}{H}$



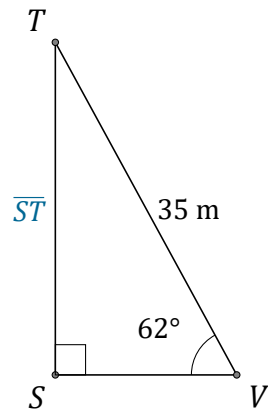
$$\overline{XY} = \underline{17.7 \text{ m}}$$



$$\overline{DF} = \underline{13.4 \text{ mm}}$$



$$\overline{GJ} = \underline{18.2 \text{ mi}}$$



$$\overline{ST} = \underline{30.9 \text{ m}}$$