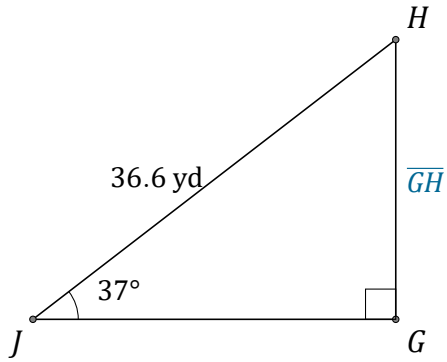


# Sine Ratio (B)

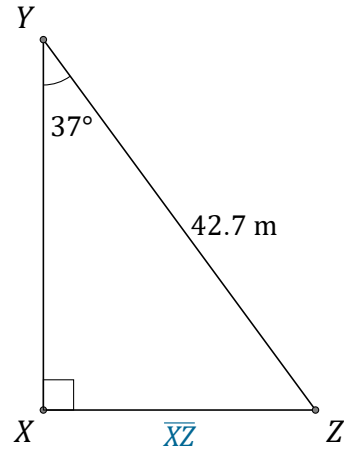
Name: \_\_\_\_\_

Date: \_\_\_\_\_

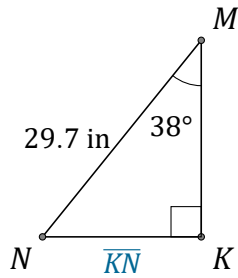
Calculate the side values using the sine ratio:  $\sin(\alpha) = \frac{O}{H}$



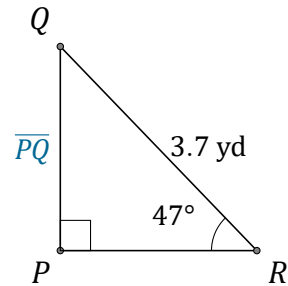
$\overline{GH} =$  \_\_\_\_\_



$\overline{XZ} =$  \_\_\_\_\_



$\overline{KN} =$  \_\_\_\_\_



$\overline{PQ} =$  \_\_\_\_\_