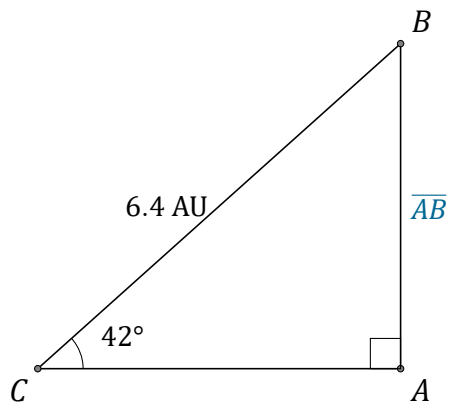


Sine Ratio (D)

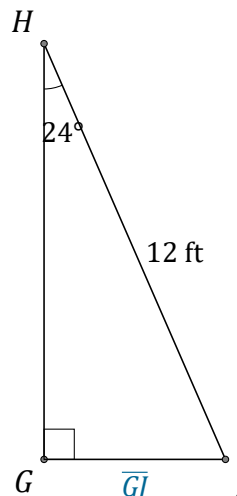
Name: _____

Date: _____

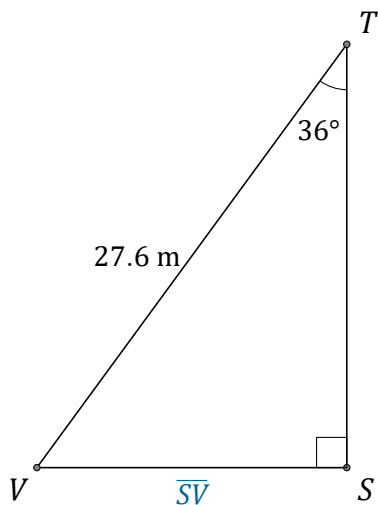
Calculate the side values using the sine ratio: $\sin(\alpha) = \frac{O}{H}$



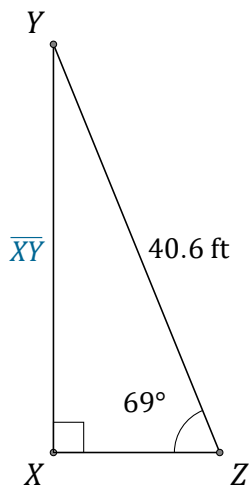
$\overline{AB} = \underline{\hspace{2cm}}$



$\overline{GJ} = \underline{\hspace{2cm}}$



$\overline{SV} = \underline{\hspace{2cm}}$



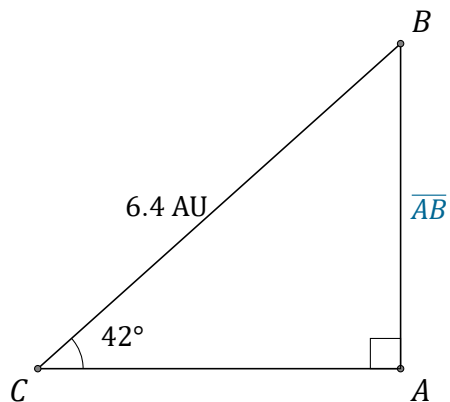
$\overline{XY} = \underline{\hspace{2cm}}$

Sine Ratio (D) Answers

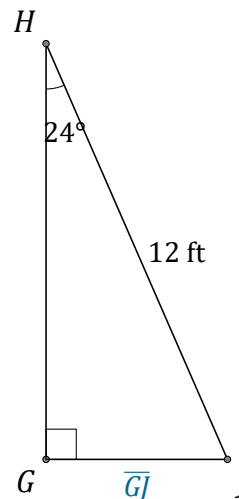
Name: _____

Date: _____

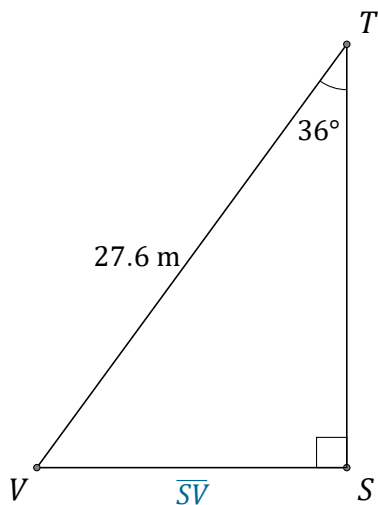
Calculate the side values using the sine ratio: $\sin(\alpha) = \frac{O}{H}$



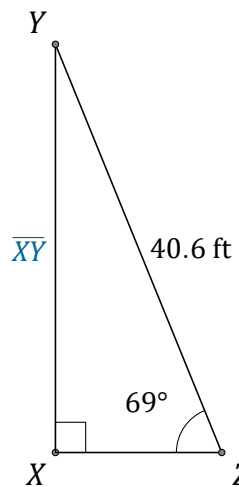
$\overline{AB} = \underline{4.3 \text{ AU}}$



$\overline{GJ} = \underline{4.9 \text{ ft}}$



$\overline{SV} = \underline{16.2 \text{ m}}$



$\overline{XY} = \underline{37.9 \text{ ft}}$