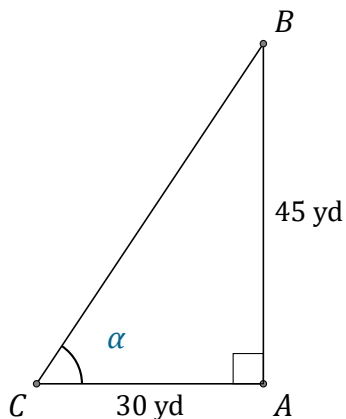


Tangent Ratio (B)

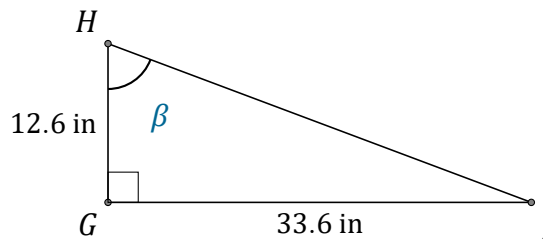
Name: _____

Date: _____

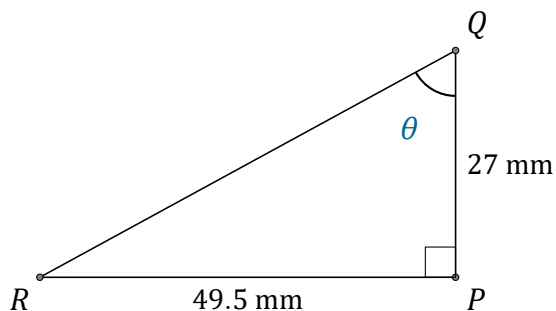
Calculate the angle values using the tangent ratio: $\tan(\alpha) = \frac{O}{A}$



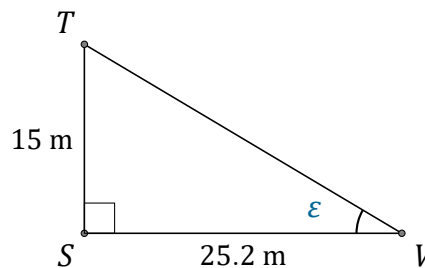
$$\alpha = \angle ACB = \underline{\hspace{2cm}}$$



$$\beta = \angle GHJ = \underline{\hspace{2cm}}$$



$$\theta = \angle PQR = \underline{\hspace{2cm}}$$



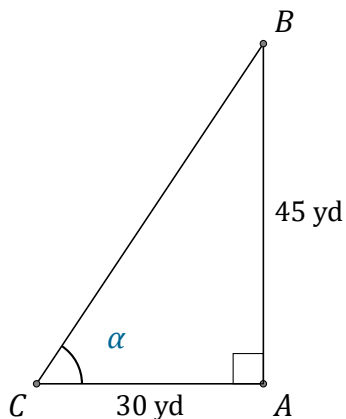
$$\epsilon = \angle SVT = \underline{\hspace{2cm}}$$

Tangent Ratio (B) Answers

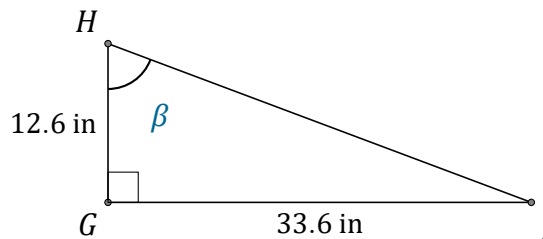
Name: _____

Date: _____

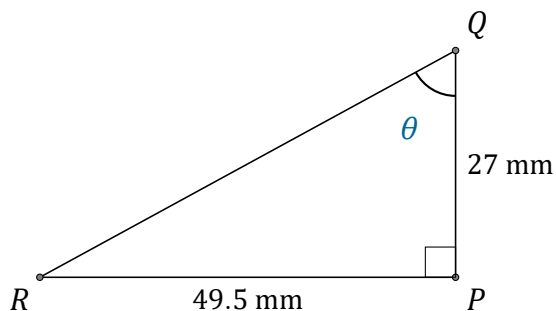
Calculate the angle values using the tangent ratio: $\tan(\alpha) = \frac{O}{A}$



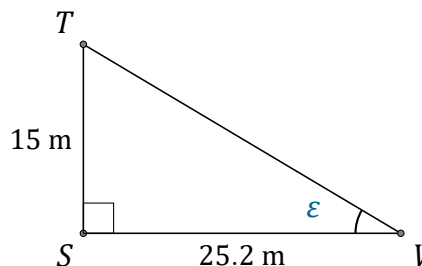
$$\alpha = \angle ACB = \underline{56.3^\circ}$$



$$\beta = \angle GHJ = \underline{69.4^\circ}$$



$$\theta = \angle PQR = \underline{61.4^\circ}$$



$$\epsilon = \angle SVT = \underline{30.8^\circ}$$