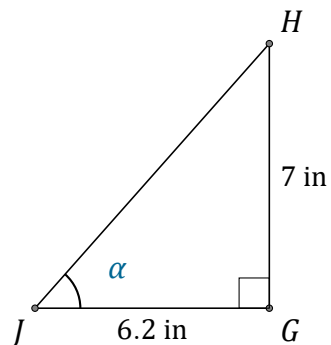


Tangent Ratio (G)

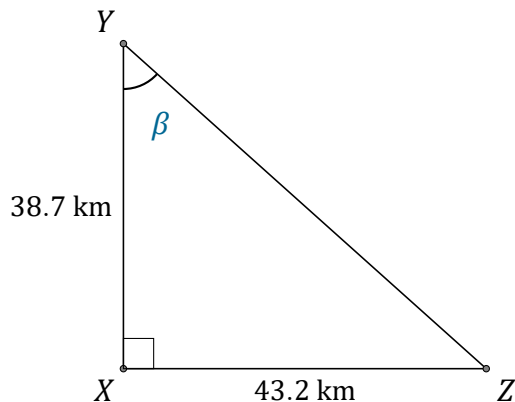
Name: _____

Date: _____

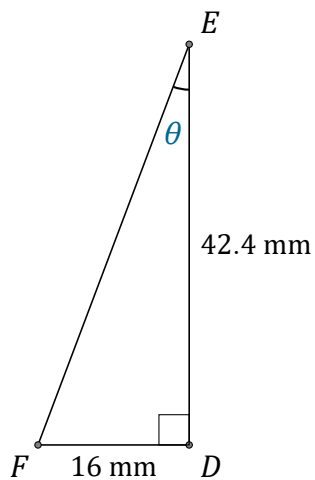
Calculate the angle values using the tangent ratio: $\tan(\alpha) = \frac{O}{A}$



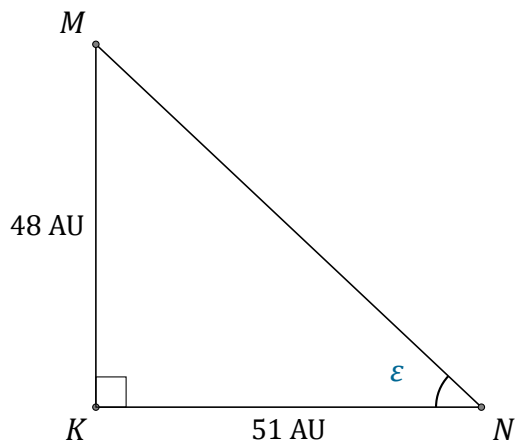
$$\alpha = \angle GJH = \underline{\hspace{2cm}}$$



$$\beta = \angle XYZ = \underline{\hspace{2cm}}$$



$$\theta = \angle DEF = \underline{\hspace{2cm}}$$



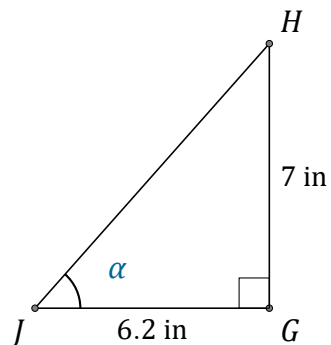
$$\epsilon = \angle KNM = \underline{\hspace{2cm}}$$

Tangent Ratio (G) Answers

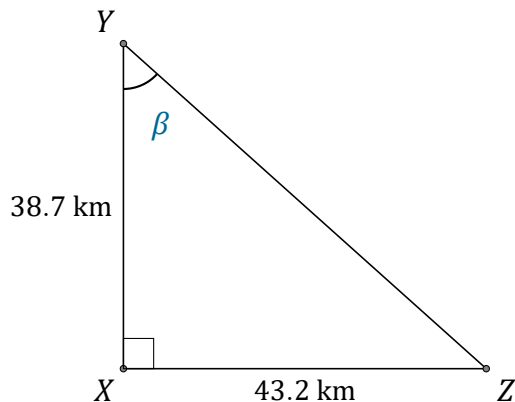
Name: _____

Date: _____

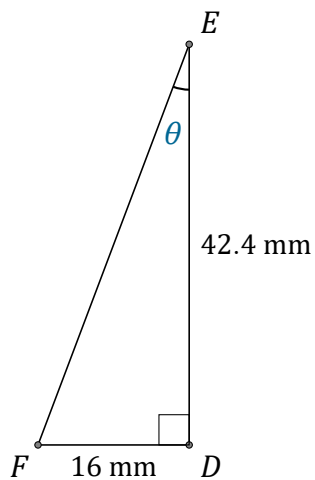
Calculate the angle values using the tangent ratio: $\tan(\alpha) = \frac{O}{A}$



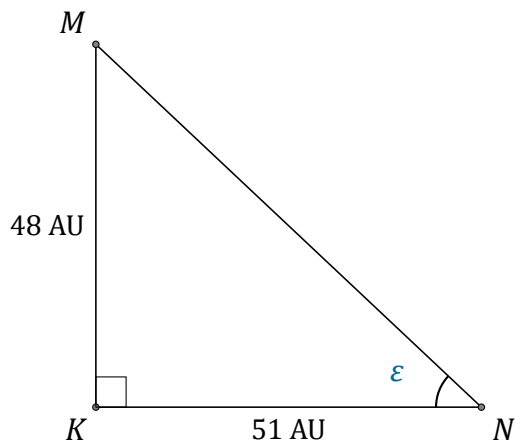
$$\alpha = \angle GJH = \underline{48.5^\circ}$$



$$\beta = \angle XYZ = \underline{48.1^\circ}$$



$$\theta = \angle DEF = \underline{20.7^\circ}$$



$$\epsilon = \angle KNM = \underline{43.3^\circ}$$