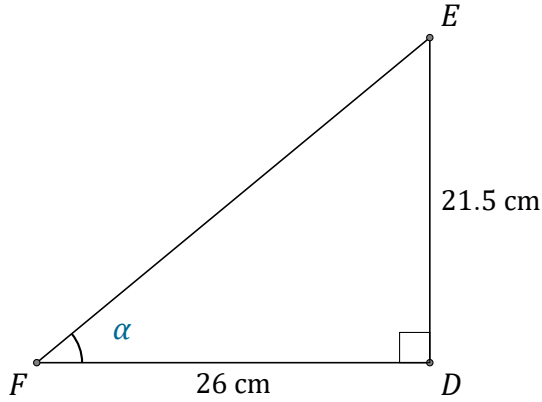


Tangent Ratio (I)

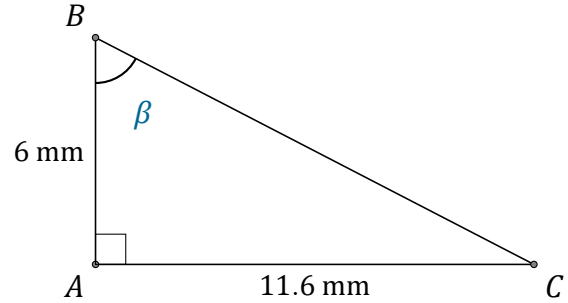
Name: _____

Date: _____

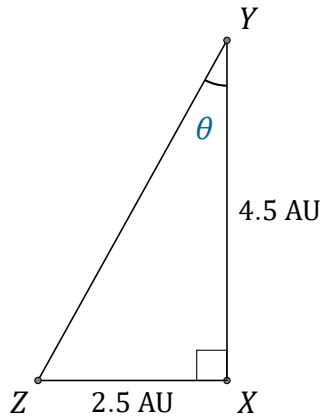
Calculate the angle values using the tangent ratio: $\tan(\alpha) = \frac{O}{A}$



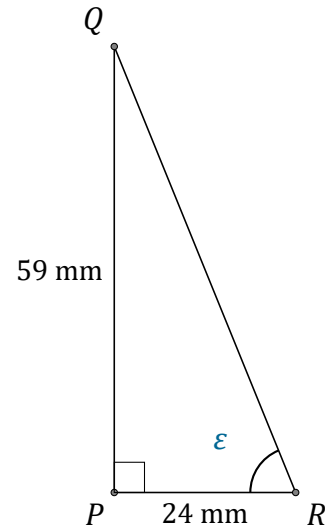
$\alpha = \angle DFE =$ _____



$\beta = \angle ABC =$ _____



$\theta = \angle XYZ =$ _____



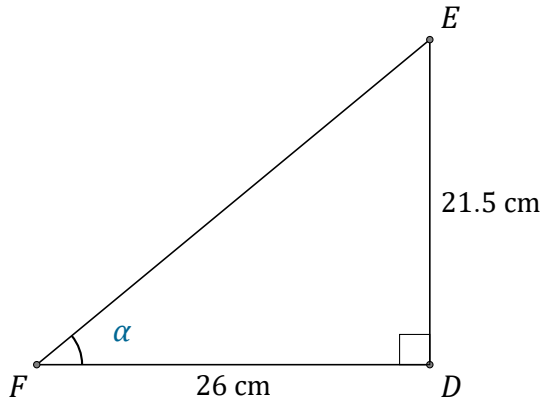
$\epsilon = \angle PRQ =$ _____

Tangent Ratio (I) Answers

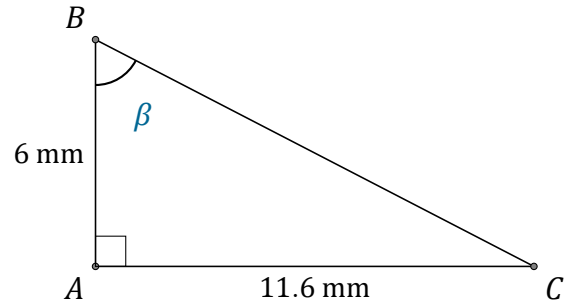
Name: _____

Date: _____

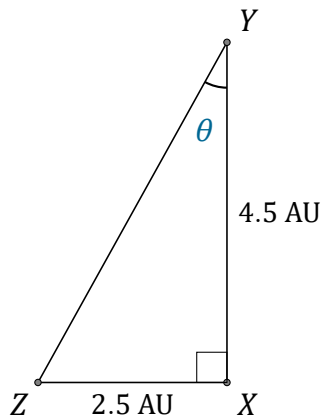
Calculate the angle values using the tangent ratio: $\tan(\alpha) = \frac{O}{A}$



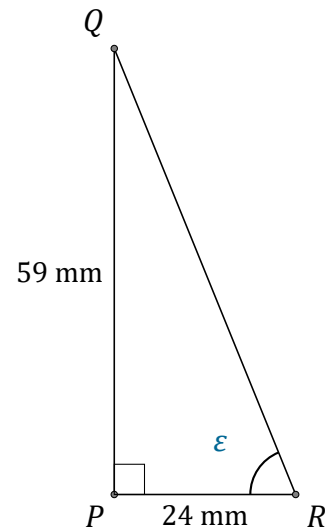
$$\alpha = \angle DFE = \underline{39.6^\circ}$$



$$\beta = \angle ABC = \underline{62.7^\circ}$$



$$\theta = \angle XYZ = \underline{29.1^\circ}$$



$$\epsilon = \angle PRQ = \underline{67.9^\circ}$$