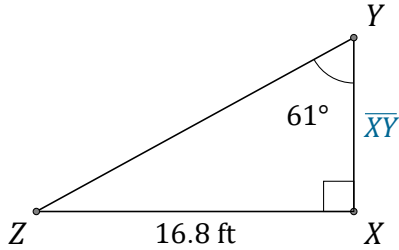


Tangent Ratio (J)

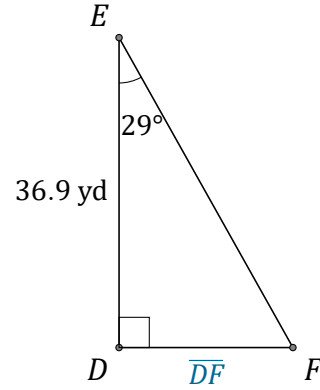
Name: _____

Date: _____

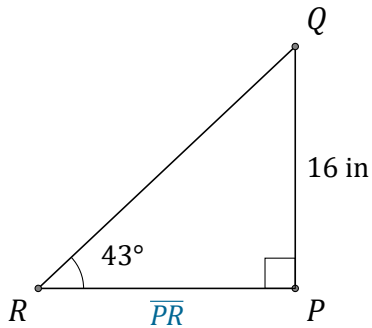
Calculate the side values using the tangent ratio: $\tan(\alpha) = \frac{O}{A}$



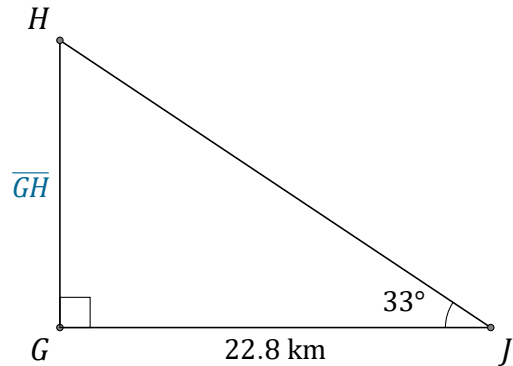
$\overline{XY} =$ _____



$\overline{DF} =$ _____



$\overline{PR} =$ _____



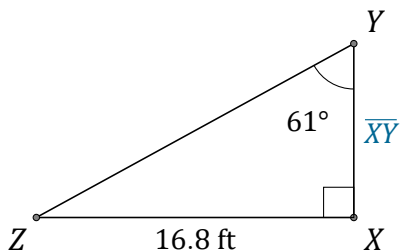
$\overline{GH} =$ _____

Tangent Ratio (J) Answers

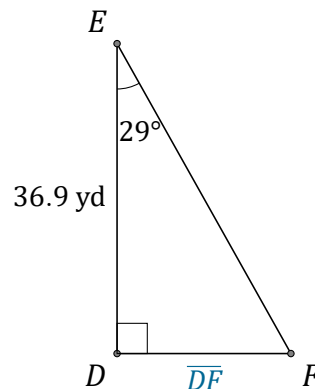
Name: _____

Date: _____

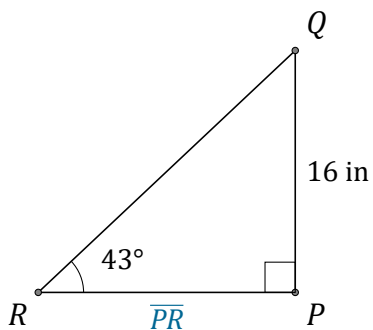
Calculate the side values using the tangent ratio: $\tan(\alpha) = \frac{O}{A}$



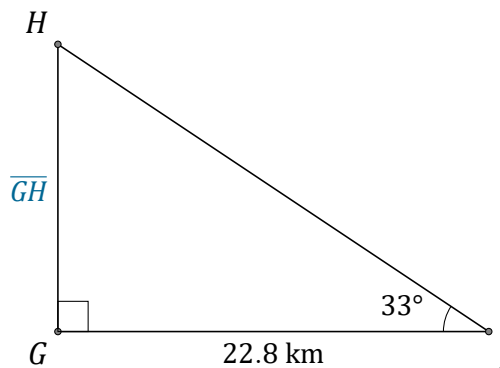
$\overline{XY} = \underline{9.3 \text{ ft}}$



$\overline{DF} = \underline{20.5 \text{ yd}}$



$\overline{PR} = \underline{17.2 \text{ in}}$



$\overline{GH} = \underline{14.8 \text{ km}}$