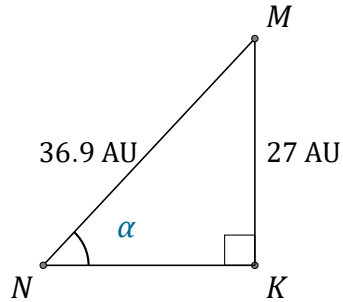


# Trigonometric Ratios (F)

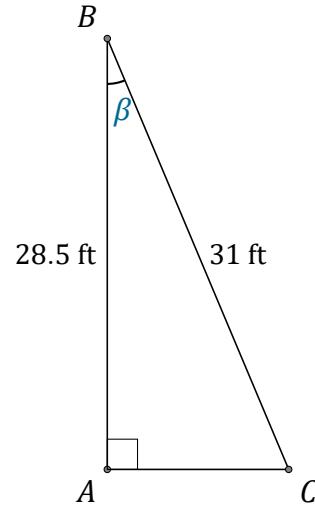
Name: \_\_\_\_\_

Date: \_\_\_\_\_

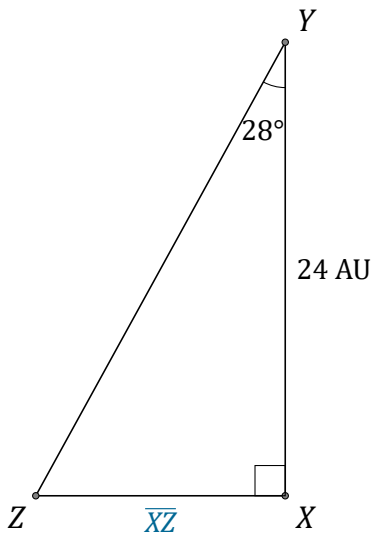
Calculate the angle and side values using trigonometric ratios



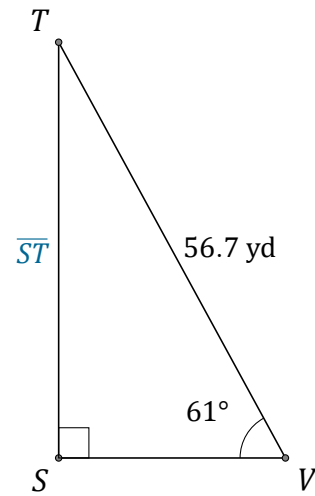
$\alpha = \angle KNM =$  \_\_\_\_\_



$\beta = \angle ABC =$  \_\_\_\_\_



$\overline{XZ} =$  \_\_\_\_\_



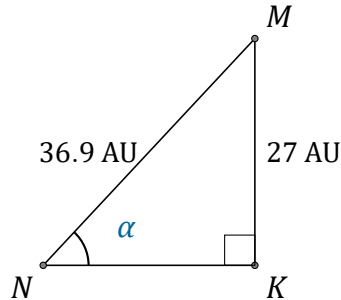
$\overline{ST} =$  \_\_\_\_\_

# Trigonometric Ratios (F) Answers

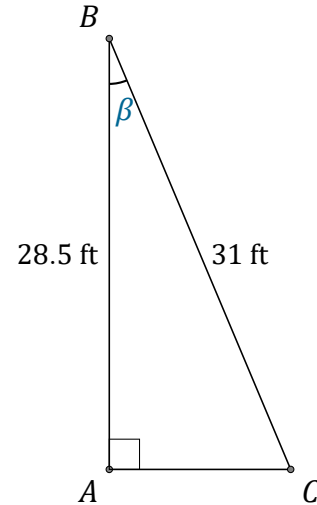
Name: \_\_\_\_\_

Date: \_\_\_\_\_

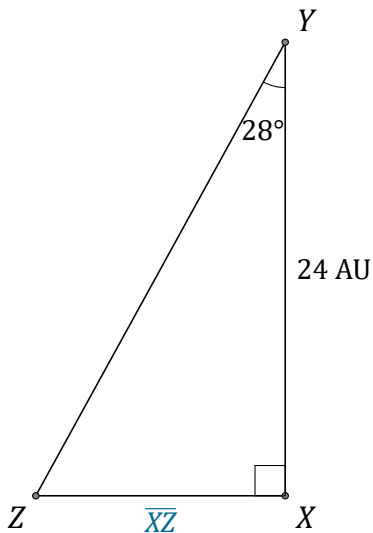
Calculate the angle and side values using trigonometric ratios



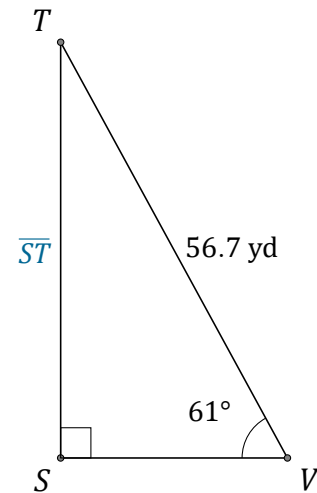
$$\alpha = \angle KNM = \underline{47^\circ}$$



$$\beta = \angle ABC = \underline{23.2^\circ}$$



$$\overline{XZ} = \underline{12.8 \text{ AU}}$$



$$\overline{ST} = \underline{49.6 \text{ yd}}$$