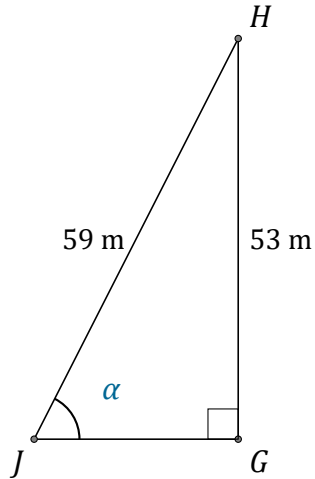


Trigonometric Ratios (J)

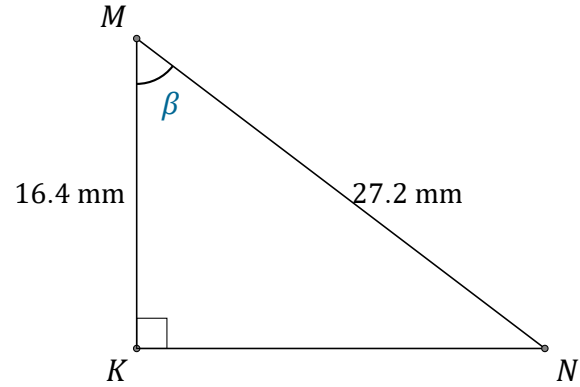
Name: _____

Date: _____

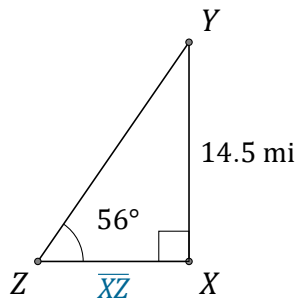
Calculate the angle and side values using trigonometric ratios



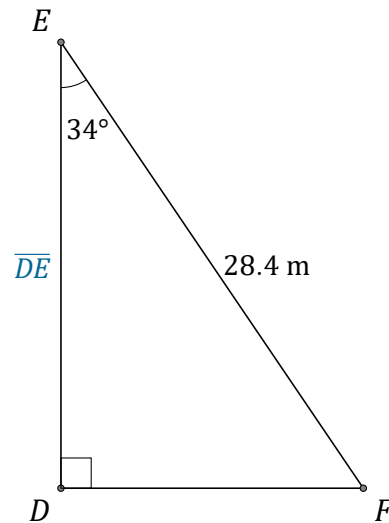
$\alpha = \angle GJH =$ _____



$\beta = \angle KMN =$ _____



$\overline{XZ} =$ _____



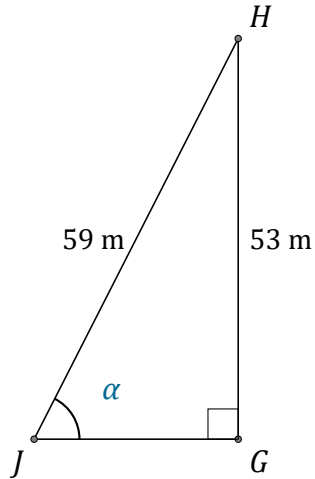
$\overline{DE} =$ _____

Trigonometric Ratios (J) Answers

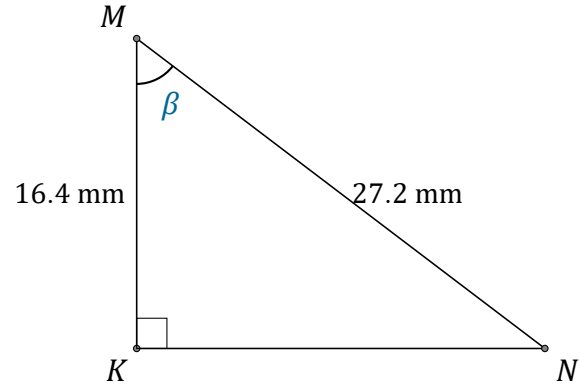
Name: _____

Date: _____

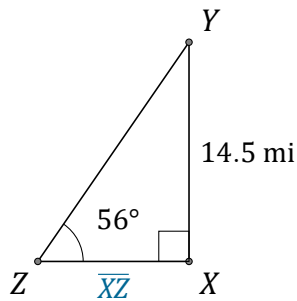
Calculate the angle and side values using trigonometric ratios



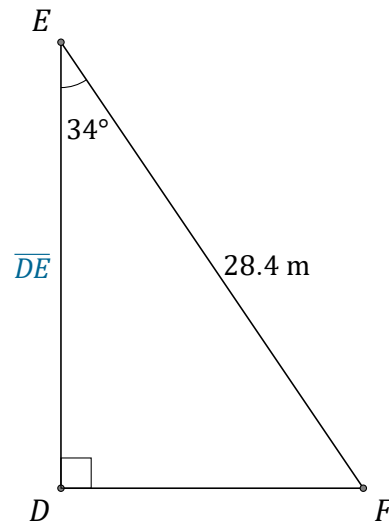
$$\alpha = \angle GJH = \underline{63.9^\circ}$$



$$\beta = \angle KMN = \underline{52.9^\circ}$$



$$\overline{XZ} = \underline{9.8 \text{ mi}}$$



$$\overline{DE} = \underline{23.5 \text{ m}}$$