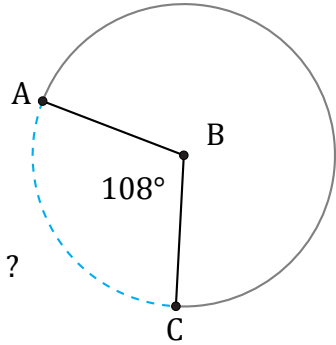


Arc Length (J)

Name: _____

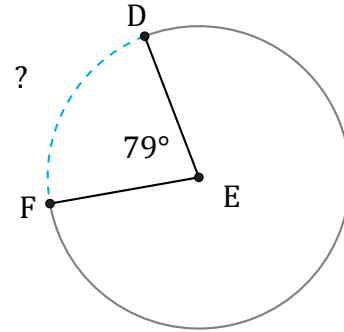
Date: _____

Calculate each arc length.



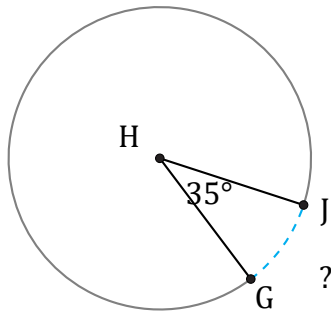
Diameter = 310 m

$\widehat{AC} =$



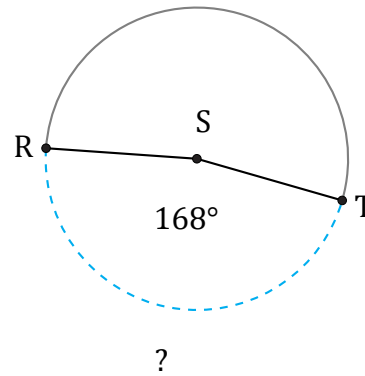
Circumference = 194.78 km

$\widehat{DF} =$



Circumference = 188.5 in

$\widehat{GJ} =$



Radius = 54 mm

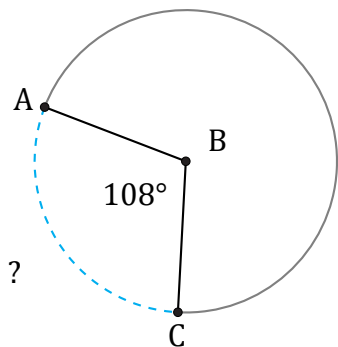
$\widehat{RT} =$

Arc Length (J) Answers

Name: _____

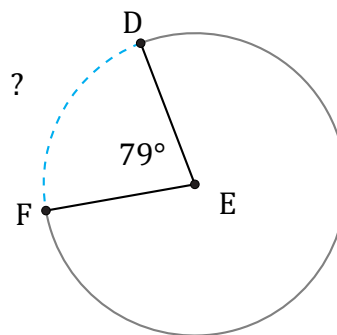
Date: _____

Calculate each arc length.



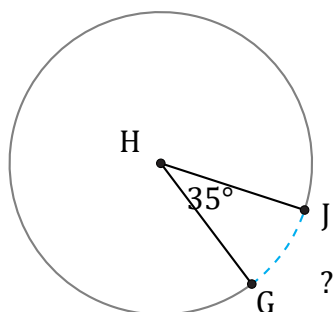
Diameter = 310 m

$$\widehat{AC} = \frac{108}{360} \times \pi \times 310 = 292.17 \text{ m}$$



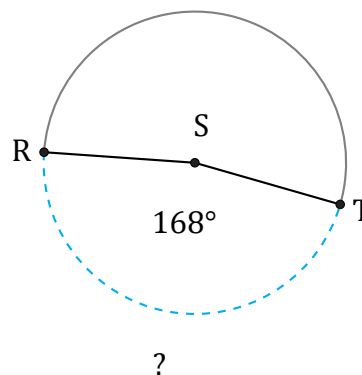
Circumference = 194.78 km

$$\widehat{DF} = \frac{79}{360} \times 194.78 = 42.74 \text{ km}$$



Circumference = 188.5 in

$$\widehat{GJ} = \frac{35}{360} \times 188.5 = 18.33 \text{ in}$$



Radius = 54 mm

$$\widehat{RT} = \frac{168}{360} \times \pi \times 54 \times 2 = 158.34 \text{ mm}$$