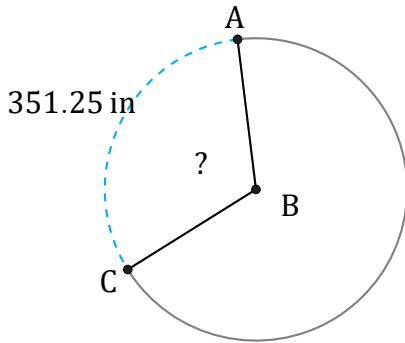


# Arc Lengths and Angles (E)

Name: \_\_\_\_\_

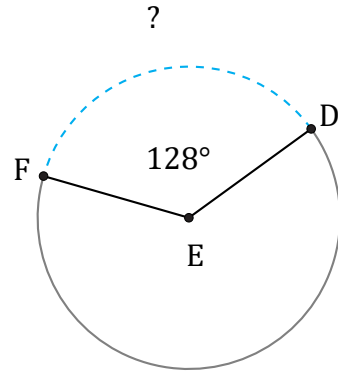
Date: \_\_\_\_\_

Calculate each arc length or angle measurement.



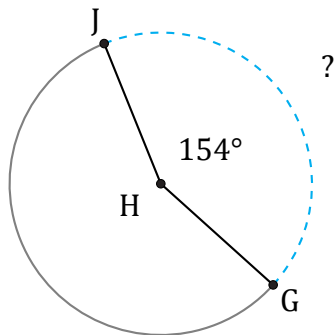
Circumference = 1099.56 in

$\angle ABC =$



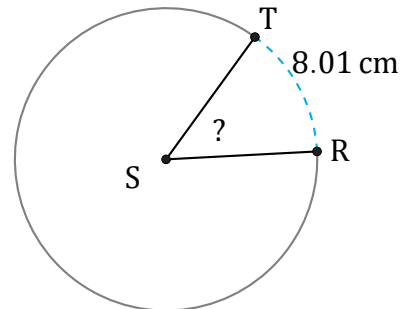
Circumference = 552.92 ft

$\widehat{DF} =$



Circumference = 238.76 ft

$\widehat{GJ} =$



Circumference = 56.55 cm

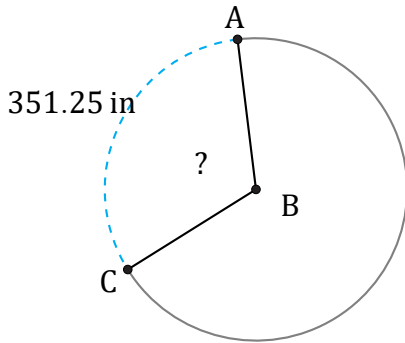
$\angle RST =$

# Arc Lengths and Angles (E) Answers

Name: \_\_\_\_\_

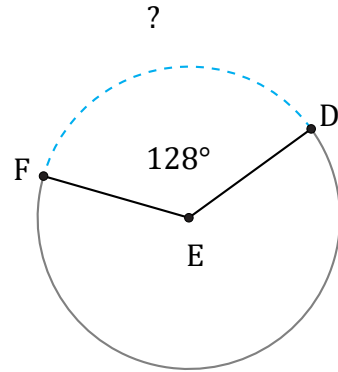
Date: \_\_\_\_\_

Calculate each arc length or angle measurement.



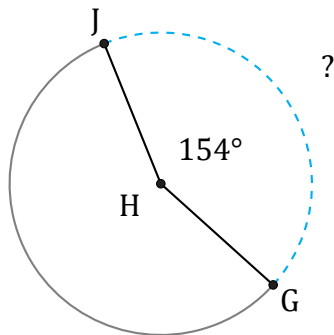
Circumference = 1099.56 in

$$\angle ABC = \frac{351.25}{1099.56} \times 360 = 115^\circ$$



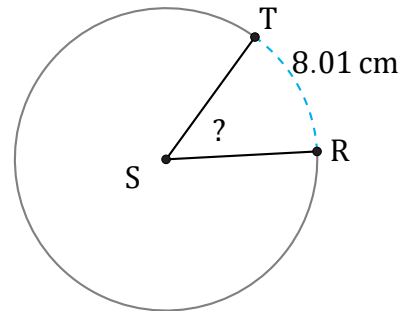
Circumference = 552.92 ft

$$\widehat{DF} = \frac{128}{360} \times 552.92 = 196.59 \text{ ft}$$



Circumference = 238.76 ft

$$\widehat{GJ} = \frac{154}{360} \times 238.76 = 102.14 \text{ ft}$$



Circumference = 56.55 cm

$$\angle RST = \frac{8.01}{56.55} \times 360 = 51^\circ$$