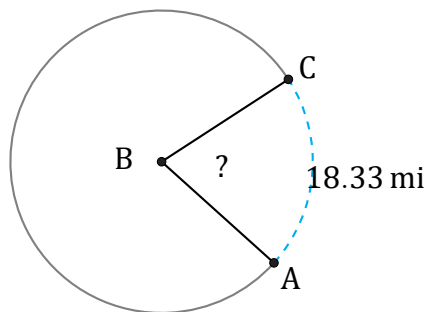


Arc Lengths and Angles (H)

Name: _____

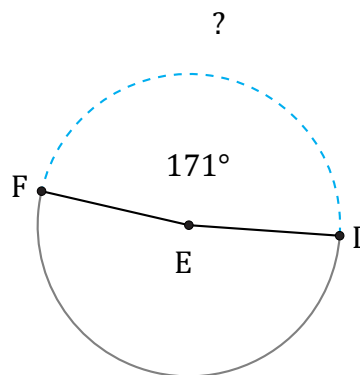
Date: _____

Calculate each arc length or angle measurement.



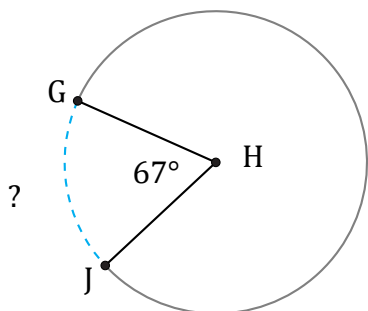
Radius = 14 mi

$\angle ABC =$



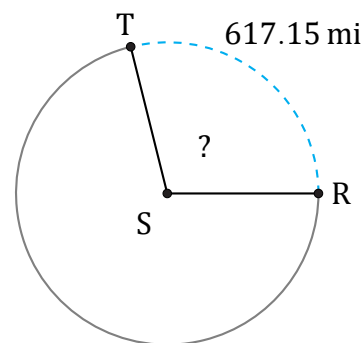
Diameter = 18 km

$\widehat{DF} =$



Radius = 843 mm

$\widehat{GJ} =$



Diameter = 680 mi

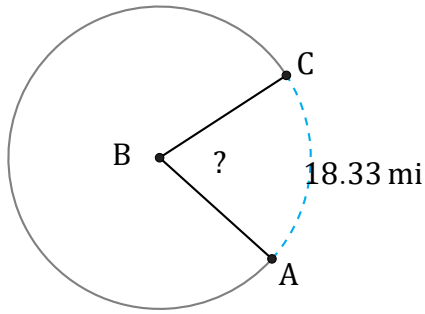
$\angle RST =$

Arc Lengths and Angles (H) Answers

Name: _____

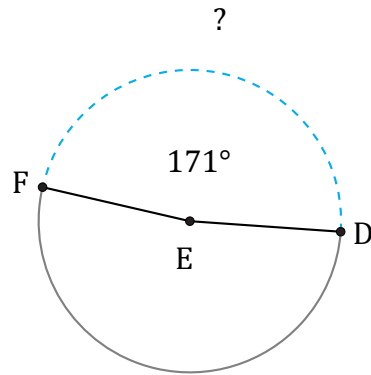
Date: _____

Calculate each arc length or angle measurement.



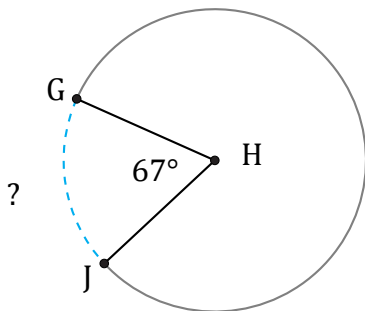
Radius = 14 mi

$$\angle ABC = \frac{18.33}{14 \times \pi \times 2} \times 360 = 75^\circ$$



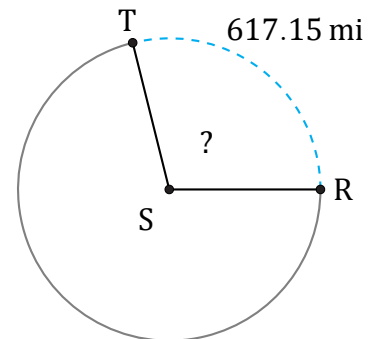
Diameter = 18 km

$$\widehat{DF} = \frac{171}{360} \times \pi \times 18 = 26.86 \text{ km}$$



Radius = 843 mm

$$\widehat{GJ} = \frac{67}{360} \times \pi \times 843 \times 2 = 985.78 \text{ mm}$$



Diameter = 680 mi

$$\angle RST = \frac{617.15}{680 \times \pi} \times 360 = 104^\circ$$