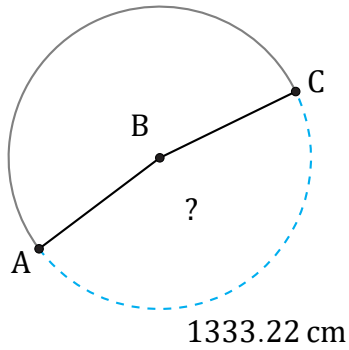


Arc Lengths and Angles (I)

Name: _____

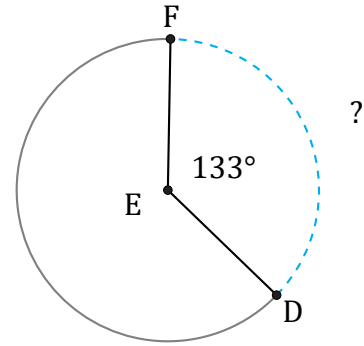
Date: _____

Calculate each arc length or angle measurement.



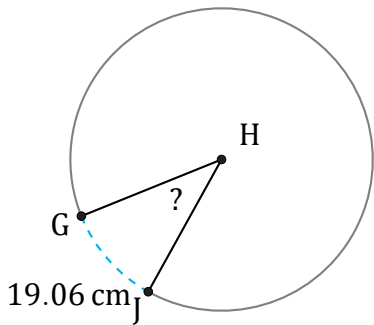
Radius = 452 cm

$\angle ABC =$



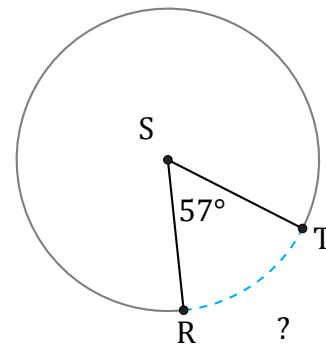
Radius = 9 m

$\widehat{DF} =$



Radius = 28 cm

$\angle GHJ =$



Radius = 107 km

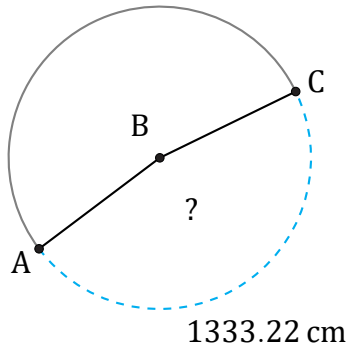
$\widehat{RT} =$

Arc Lengths and Angles (I) Answers

Name: _____

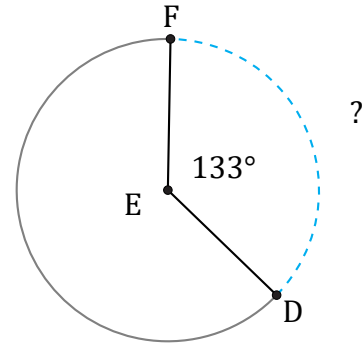
Date: _____

Calculate each arc length or angle measurement.



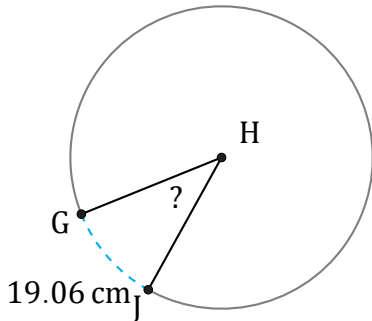
Radius = 452 cm

$$\angle ABC = \frac{1333.22}{452 \times \pi \times 2} \times 360 = 169^\circ$$



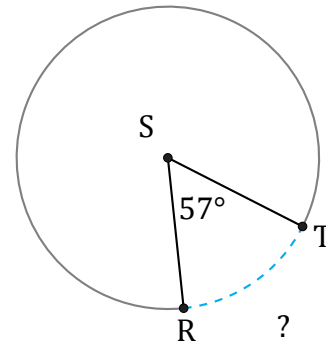
Radius = 9 m

$$\widehat{DF} = \frac{133}{360} \times \pi \times 9 \times 2 = 20.89 \text{ m}$$



Radius = 28 cm

$$\angle GHJ = \frac{19.06}{28 \times \pi \times 2} \times 360 = 39^\circ$$



Radius = 107 km

$$\widehat{RT} = \frac{57}{360} \times \pi \times 107 \times 2 = 106.45 \text{ km}$$