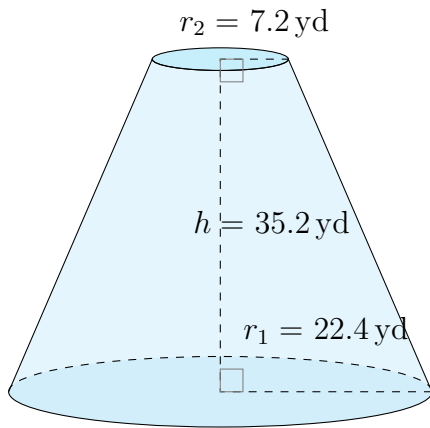


Surface Area and Volume of Conical Frustums (A)

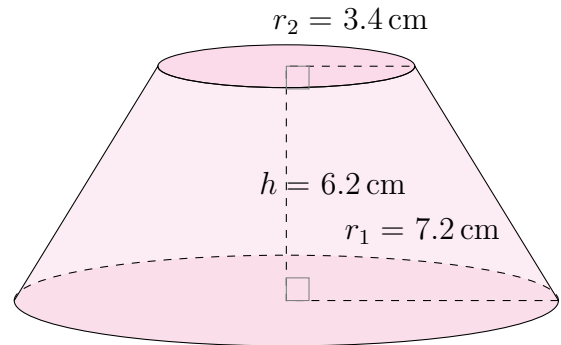
Calculate the surface area and volume for each conical frustum.

$$\text{Surface Area} = \pi(r_1 + r_2)\sqrt{(r_1 - r_2)^2 + h^2} + \pi r_1^2 + \pi r_2^2 \quad \text{Volume} = \frac{\pi}{3}h(r_1^2 + r_2^2 + r_1 r_2)$$

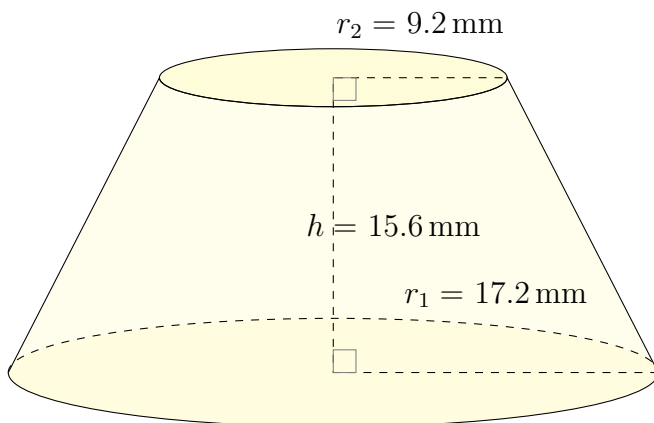
1.



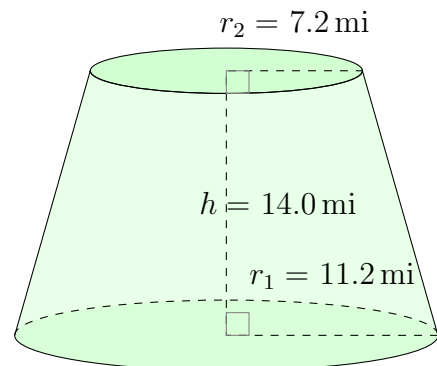
2.



3.



4.

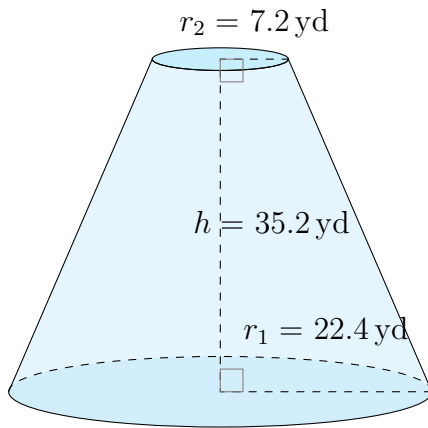


Surface Area and Volume of Conical Frustums (A) Answers

Calculate the surface area and volume for each conical frustum.

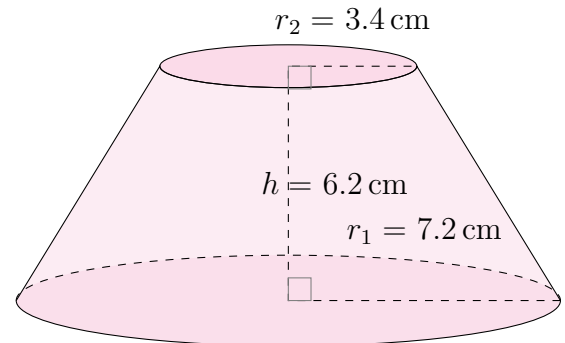
$$\text{Surface Area} = \pi(r_1 + r_2)\sqrt{(r_1 - r_2)^2 + h^2} + \pi r_1^2 + \pi r_2^2 \quad \text{Volume} = \frac{\pi}{3}h(r_1^2 + r_2^2 + r_1 r_2)$$

1.



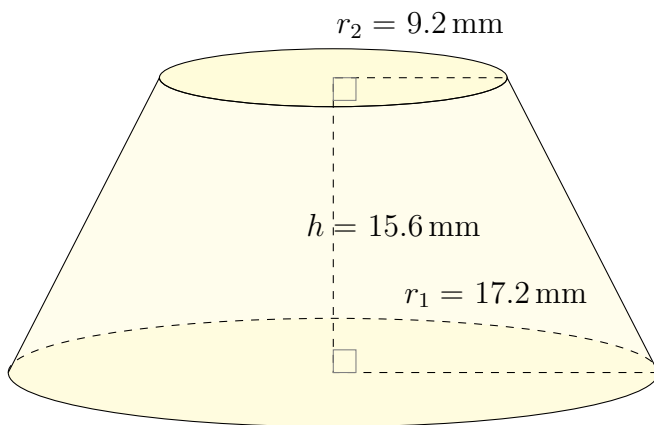
Surface Area: 5304.6 yd²
Volume: 26,351.4 yd³

2.



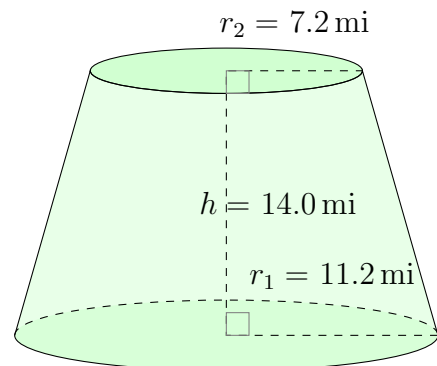
Surface Area: 441.3 cm²
Volume: 570.6 cm³

3.



Surface Area: 2649.4 mm²
Volume: 8800.7 mm³

4.



Surface Area: 1398.6 mi²
Volume: 3781.3 mi³