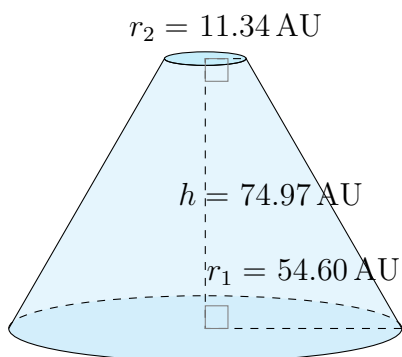


Surface Area and Volume of Conical Frustums (C)

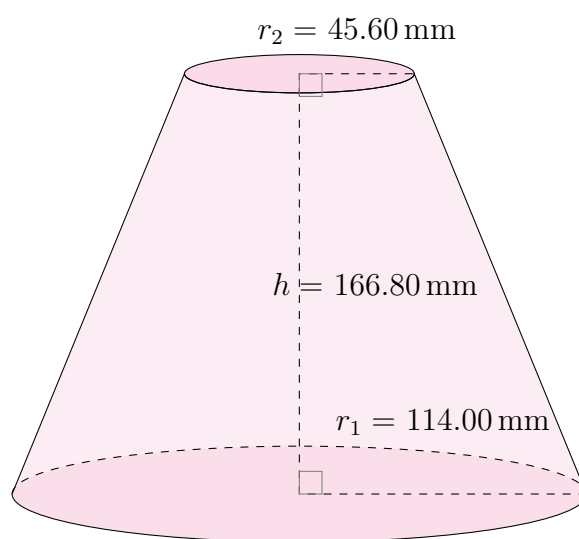
Calculate the surface area and volume for each conical frustum.

$$\text{Surface Area} = \pi(r_1 + r_2)\sqrt{(r_1 - r_2)^2 + h^2} + \pi r_1^2 + \pi r_2^2 \quad \text{Volume} = \frac{\pi}{3}h(r_1^2 + r_2^2 + r_1 r_2)$$

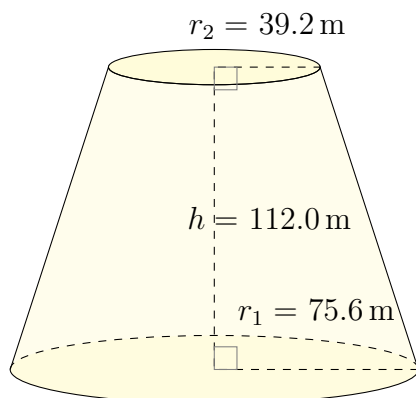
1.



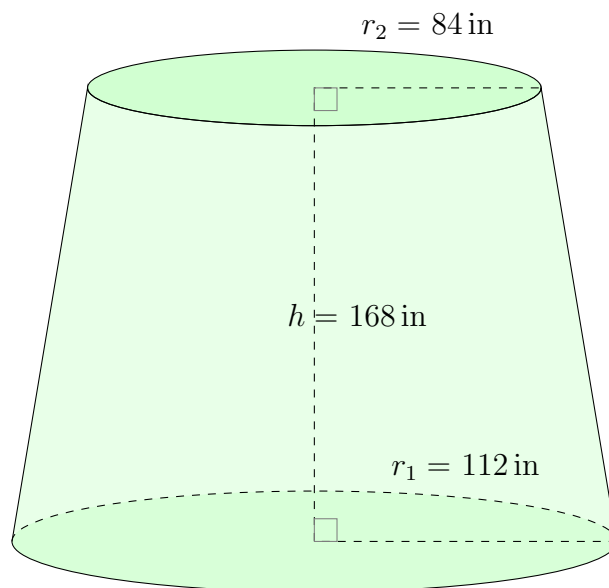
2.



3.



4.

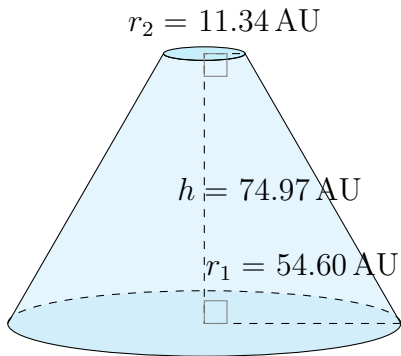


Surface Area and Volume of Conical Frustums (C) Answers

Calculate the surface area and volume for each conical frustum.

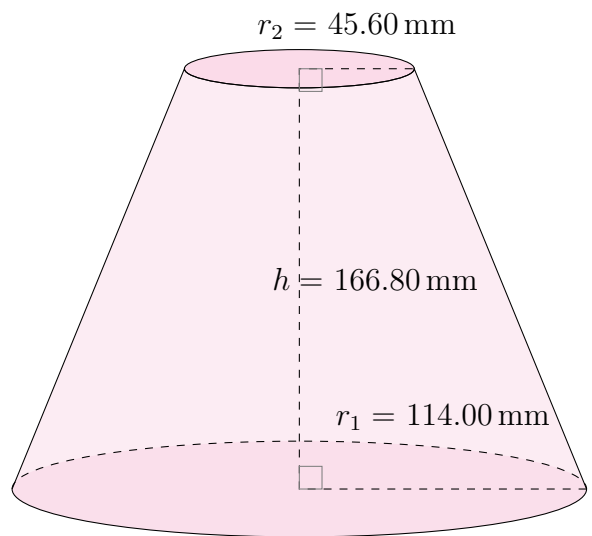
$$\text{Surface Area} = \pi(r_1 + r_2)\sqrt{(r_1 - r_2)^2 + h^2} + \pi r_1^2 + \pi r_2^2 \quad \text{Volume} = \frac{\pi}{3}h(r_1^2 + r_2^2 + r_1 r_2)$$

1.



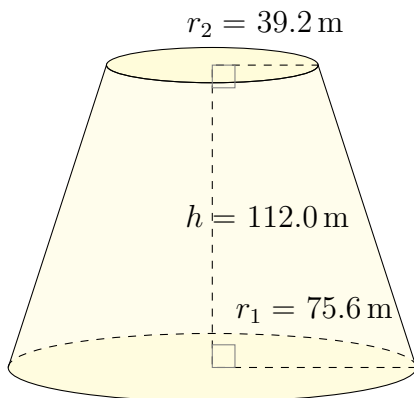
Surface Area: 27,700.22 AU²
Volume: 292,751.51 AU³

2.



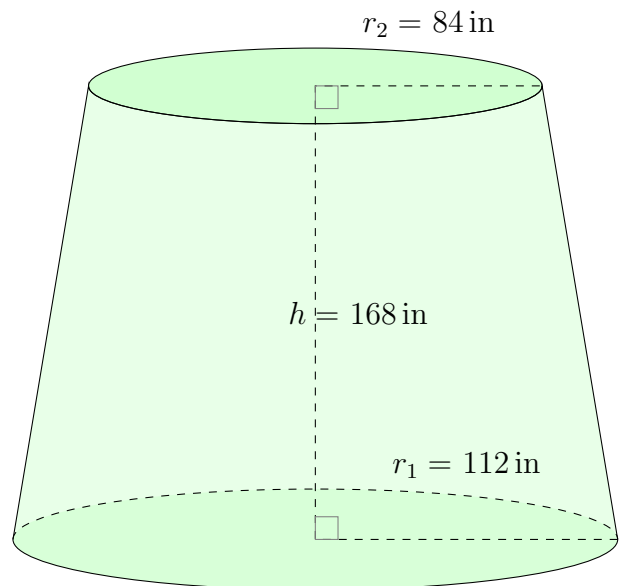
Surface Area: 137,752.60 mm²
Volume: 3,541,269.39 mm³

3.



Surface Area: 65,255.9 m²
Volume: 1,198,138.8 m³

4.



Surface Area: 166,448 in²
Volume: 5,103,354 in³